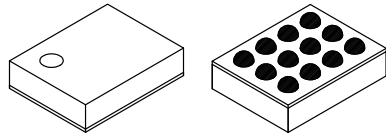


MECHANICAL CASE OUTLINE
PACKAGE DIMENSIONS

WLCSP12 1.77x1.37 / WLP12
CASE 567EZ
ISSUE 0

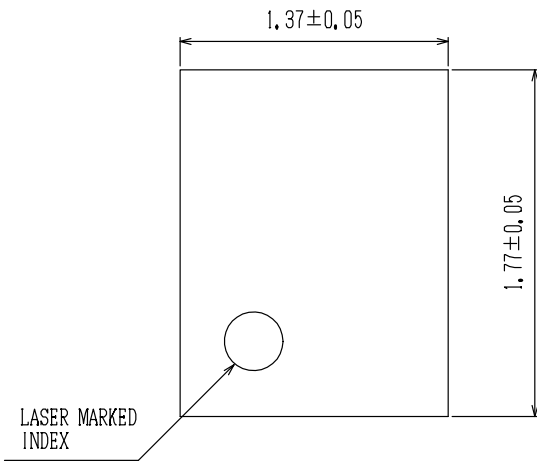
DATE 30 APR 2012



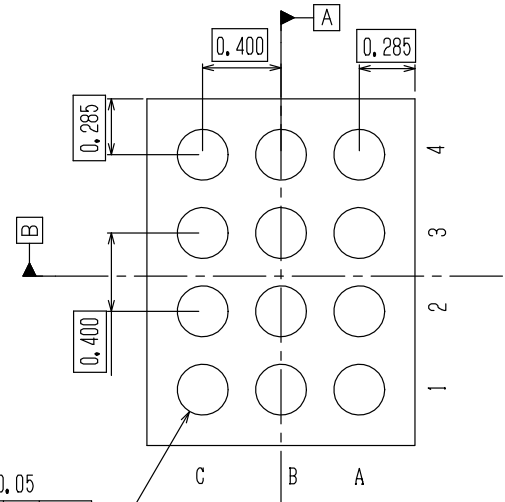
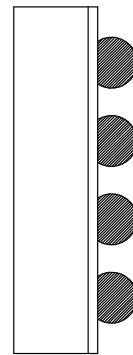
TOP VIEW

SIDE VIEW

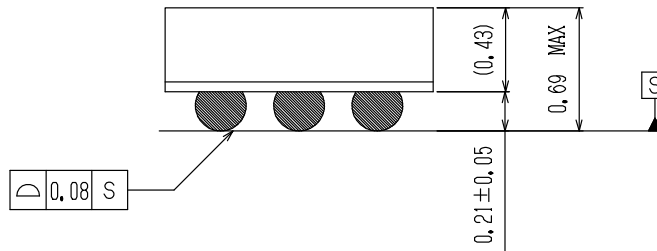
BOTTOM VIEW



SIDE VIEW



12 × $\phi 0.26 \pm 0.05$
 $\oplus \phi 0.05 \text{ (M) S A B}$



| | | |
|-------------------------|----------------------------------|--|
| DOCUMENT NUMBER: | 98AON79115E | Electronic versions are uncontrolled except when accessed directly from the Document Repository. Printed versions are uncontrolled except when stamped "CONTROLLED COPY" in red. |
| STATUS: | ON SEMICONDUCTOR STANDARD | |
| NEW STANDARD: | | |
| DESCRIPTION: | WLCSP12 1.77X1.37 / WLP12 | PAGE 1 OF 2 |

