

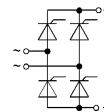
SEMIPONT® 1 Controllable Bridge Rectifiers

SKBT 28 SKBZ 28
SKBH 28 SKCH 28

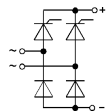


V_{DRM} V_{RSM} V_{RRM}	I_D ($T_{case} = 89\text{ }^\circ\text{C}$, full conduction) 28 A			
400 V	–	–	SKBZ 28/04	SKCH 28/04
600 V	SKBT 28/06	SKBH 28/06	SKBZ 28/06	SKCH 28/06
800 V	SKBT 28/08	SKBH 28/08	SKBZ 28/08	SKCH 28/08
1200 V	SKBT 28/12	SKBH 28/12	SKBZ 28/12	SKCH 28/12
1400 V	SKBT 28/14	SKBH 28/14	SKBZ 28/14	SKCH 28/14

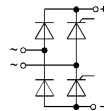
Symbol	Conditions	SKBT 28 SKBH 28	SKCH 28 SKBZ 28
I_D	$T_{case} = 85\text{ }^\circ\text{C}$, inductive load	30 A	
	$T_{amb} = 45\text{ }^\circ\text{C}$, chassis ¹⁾	13 A	
	P5A/100	15 A	
	P13A/125	16 A	
	P1A/120	23 A	
I_{TSM}, I_{FSM}	$T_{vj} = 25\text{ }^\circ\text{C}$, 10 ms	320 A	
	$T_{vj} = 125\text{ }^\circ\text{C}$, 10 ms	280 A	
i^2t	$T_{vj} = 25\text{ }^\circ\text{C}$, 8,3...10 ms	510 A ² s	
	$T_{vj} = 125\text{ }^\circ\text{C}$, 8,3...10 ms	390 A ² s	
$(di/dt)_{cr}$ $(dv/dt)_{cr}$	$T_{vj} = 125\text{ }^\circ\text{C}$, 10 ms	50 A/ μs	
	$T_{vj} = 125\text{ }^\circ\text{C}$, $^{2/3} V_{DRM}$	500 V/ μs	
I_H	$T_{vj} = 25\text{ }^\circ\text{C}$, typ./max.	50 mA/150 mA	
I_L	$T_{vj} = 25\text{ }^\circ\text{C}$, typ./max.	100 mA/300 mA	
V_T	$T_{vj} = 25\text{ }^\circ\text{C}$; $I_T = 75\text{ A}$	2,25 V	
$V_{T(TO)}$	$T_{vj} = 125\text{ }^\circ\text{C}$	1,0 V	
r_T	$T_{vj} = 125\text{ }^\circ\text{C}$	16 m Ω	
I_D	$T_{vj} = 125\text{ }^\circ\text{C}$; V_{DRM} , V_{RRM}	8 mA	
V_{GT}	$T_{vj} = 25\text{ }^\circ\text{C}$; $V_D = 6\text{ V}$	2 V	
I_{GT}	$T_{vj} = 25\text{ }^\circ\text{C}$; $V_D = 6\text{ V}$	100 mA	
V_{GD}	$T_{vj} = 125\text{ }^\circ\text{C}$; $V_D = 6\text{ V}$	0,25 V	
R_{thjc}	per thyristor/diode	1,8 $^\circ\text{C}/\text{W}$	
	total	0,45 $^\circ\text{C}/\text{W}$	
	R_{thch} total	0,1 $^\circ\text{C}/\text{W}$	
	R_{thja} total ²⁾	15 $^\circ\text{C}/\text{W}$	
T_{vj} , T_{stg}		– 40...+ 125 $^\circ\text{C}$	
V_{isol}	a.c. 50...60 Hz; r.m.s.; 1 s / 1 min	3600 V~ / 3000 V~	
M_1 w	case to heatsink; SI units/US units	2 Nm/18 lb. in. \pm 15 % 66 g	
Case		SKBT: G 22	SKBZ: G 24
		SKBH: G 23	SKCH: G 25



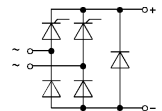
SKBT



SKBH



SKBZ



SKCH

Features

- Sturdy isolated metal baseplate
- Fast-on terminals with solder tips
- Suitable for wave soldering
- High surge current rating
- UL recognized, file no. E 63 532

Typical Applications

- Controllable single-phase rectifiers
- DC power supplies
- DC motor controllers
- DC motor field controllers

¹⁾ Painted metal sheet of minimum 250 x 250 x 1 mm³⁾ $R_{thca} = 1,85\text{ }^\circ\text{C}/\text{W}$

²⁾ Freely suspended or mounted on an insulator

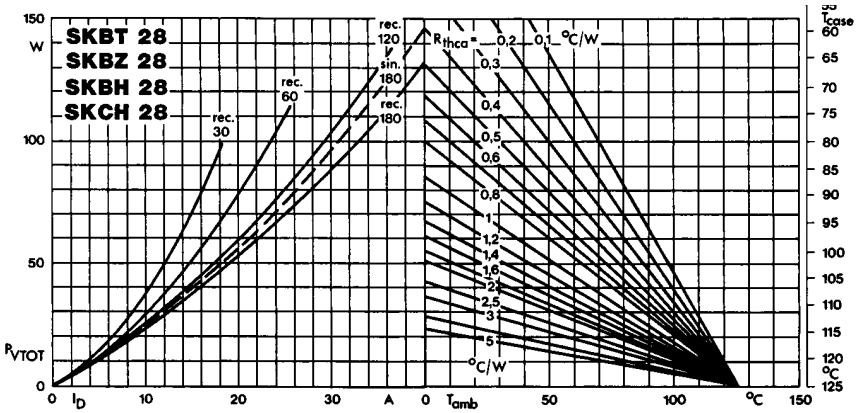


Fig. 4 Power dissipation vs. output current and case temperature

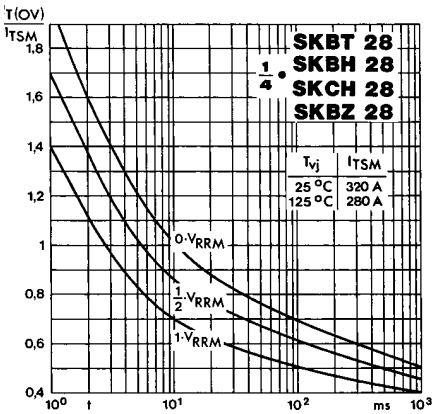


Fig. 5 Surge overload current vs. time

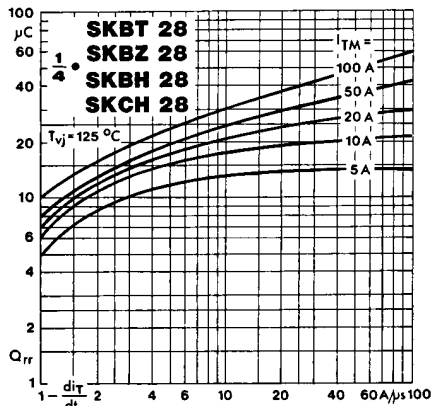


Fig. 8 Recovered charge vs. current decrease

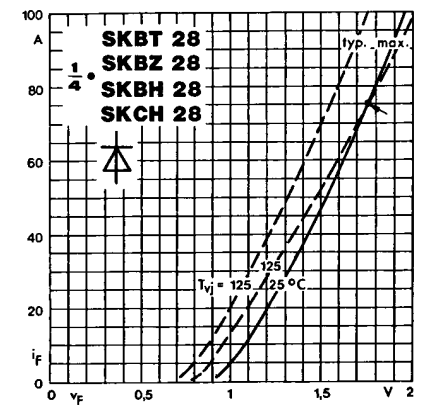


Fig. 9 Forward characteristics of a single diode

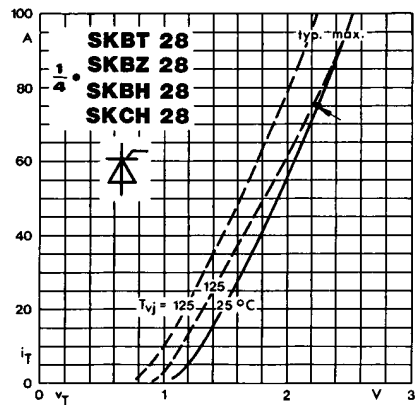


Fig. 10 On-state characteristics of a single thyristor

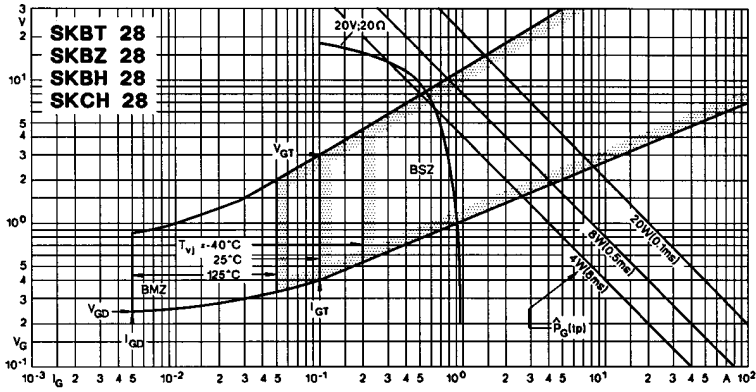


Fig. 11 Gate trigger characteristics

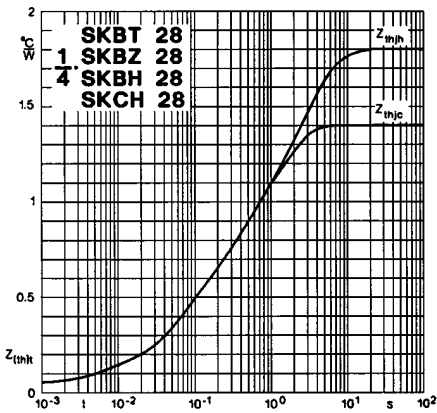
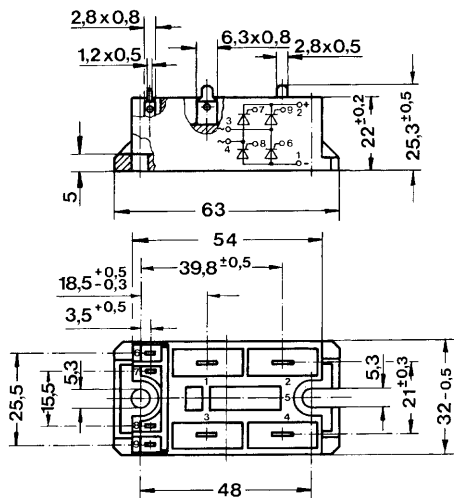
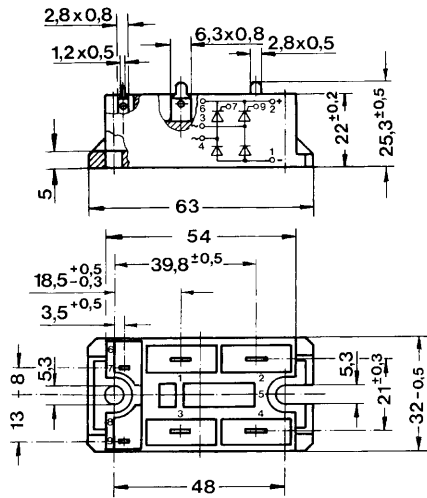


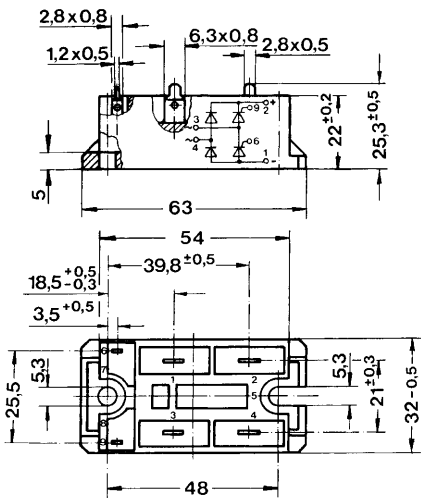
Fig. 12 Transient thermal impedance vs. time

SKBT 28Case G 22
SEMPION[®] 1

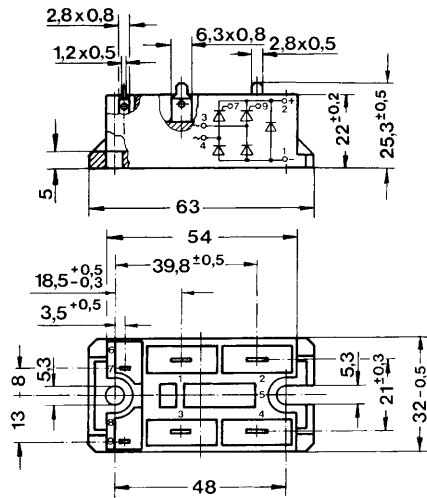
Dimensions in mm

SKBH 28Case G 23
SEMPION[®] 1

Dimensions in mm

SKBZ 28Case G 24
SEMPION[®] 1

Dimensions in mm

SKCH 28Case G 25
SEMPION[®] 1

Dimensions in mm