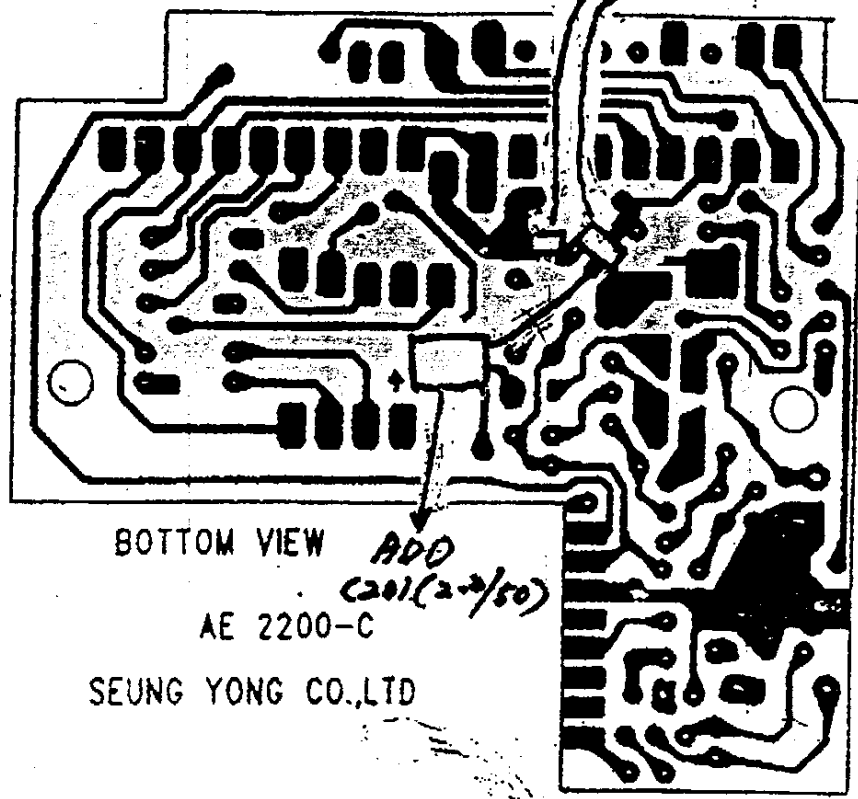


AE-2200 AF

SENWIT YONGY *[Signature]*

5/9

ADD R201 (49Kohm)
ADD Q201 (C114)



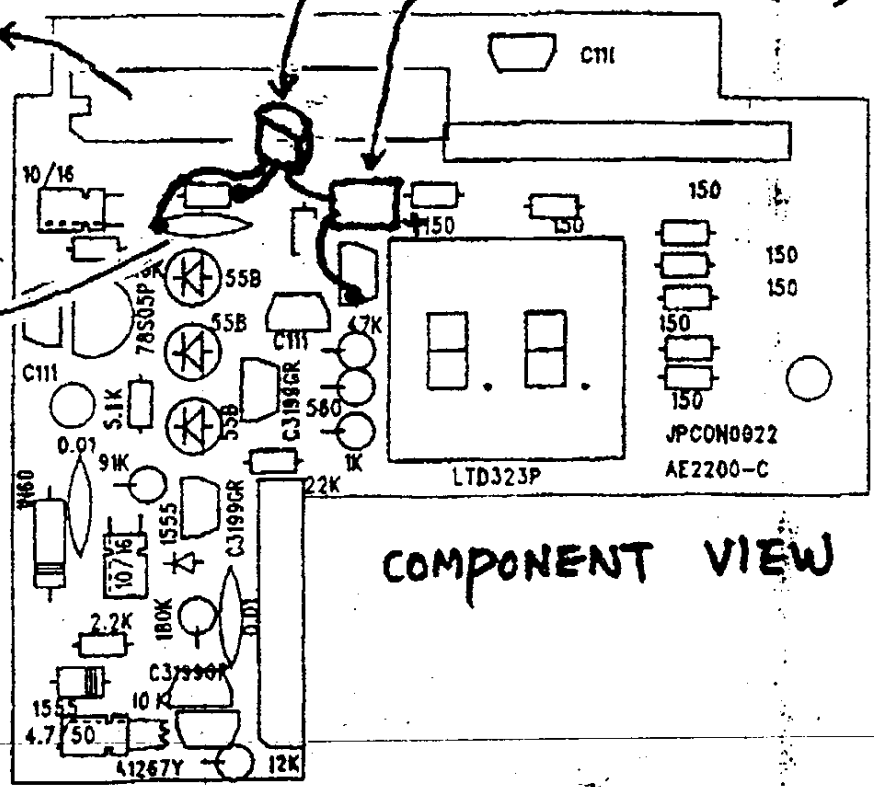
BOTTOM VIEW
ADD C201 (2-2/50)

AE 2200-C

SEUNG YONG CO.,LTD

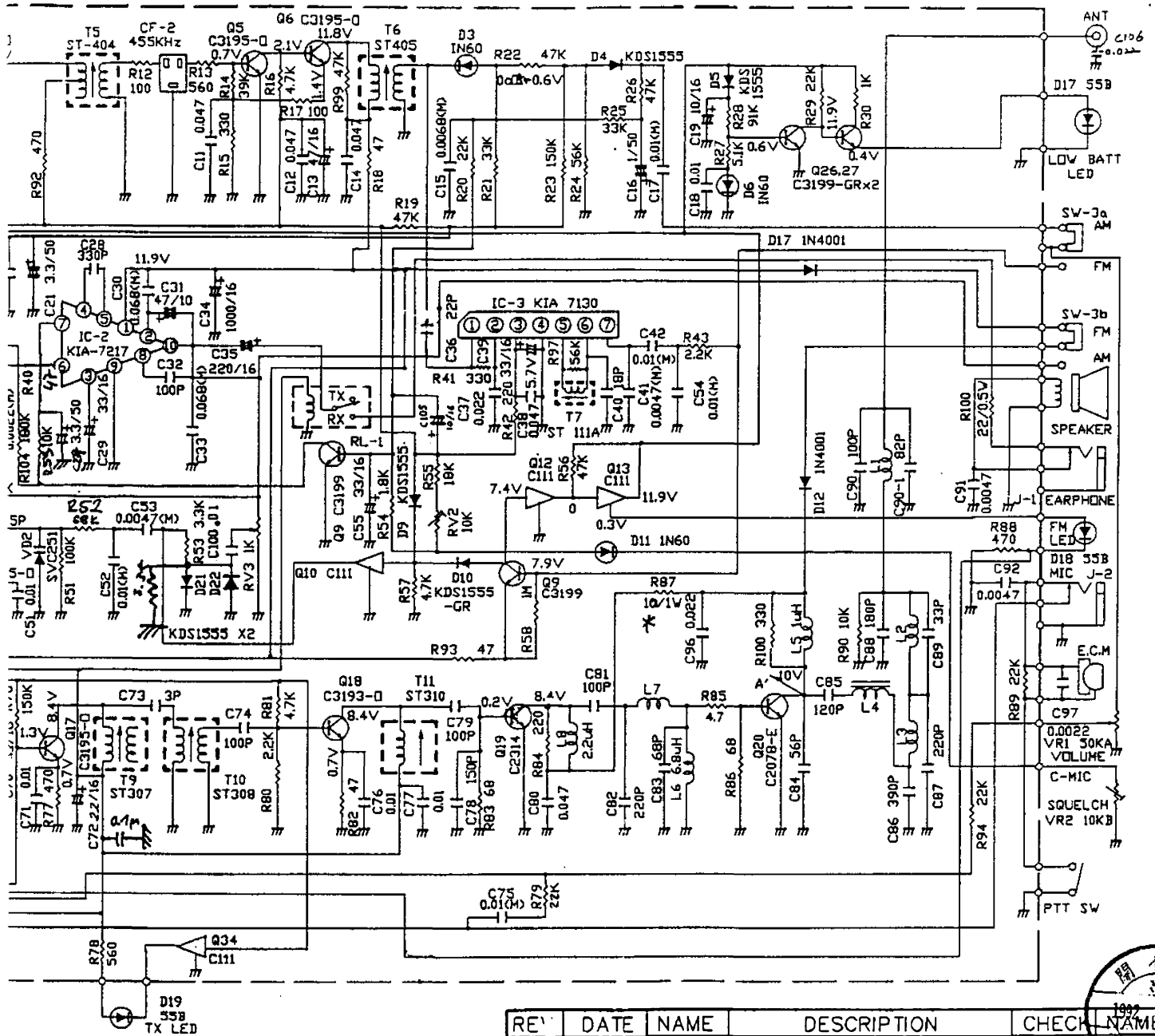
CHANGE C101 (0.022Mycap)
CHANGE IC4 (16U8B)

ADD Q202 (C106)
ADD C202 (4.7/50)



COMPONENT VIEW

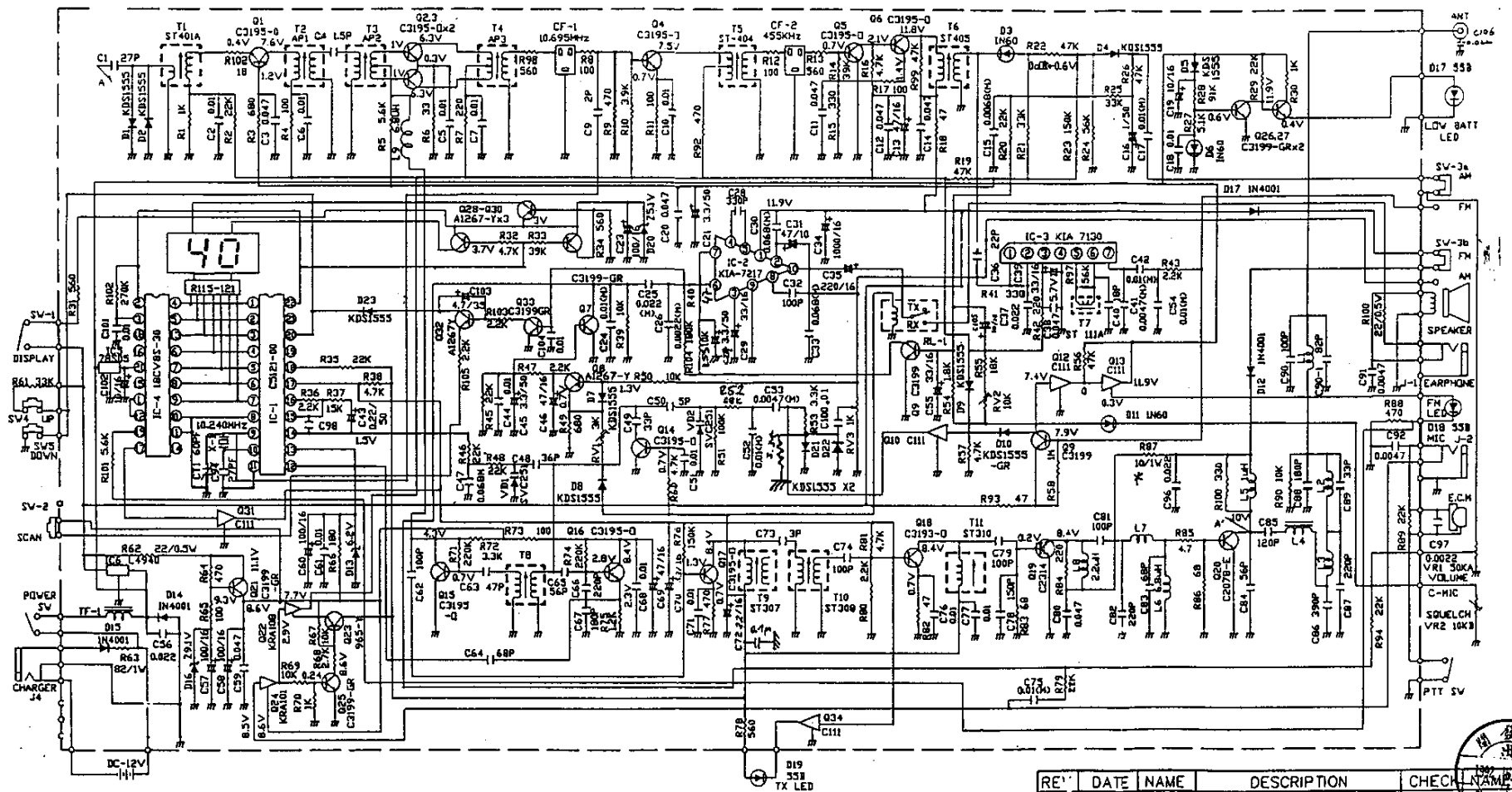
SCHEMATIC DIAGRAM



* factory alignment value

REV	DATE	NAME	DESCRIPTION	CHECK NAME	
1					
2					
3					
MAT.	UNIT	SCALE	PCS	MODEL NAME	P NUMBER
	m/m	/		AE-2200 AF	
DRAWN	CHECKED	APPROVED	PROJECT		
			AE-2200		
			DRAWING NUMBER		
			2307181		

SCHEMATIC DIAGRAM



* factory alignment value

REV	DATE	NAME	DESCRIPTION	CHECK	NAME	
MAT.		UNIT	SCALE	PCS	MODEL NAME	P NUMBER
		m/m	/		AE-2200 AF	
DRAWN			CHECKED	APPROVED	PROJECT	
					AE-2200	
					DRAWING NUMBER	
					2301181	