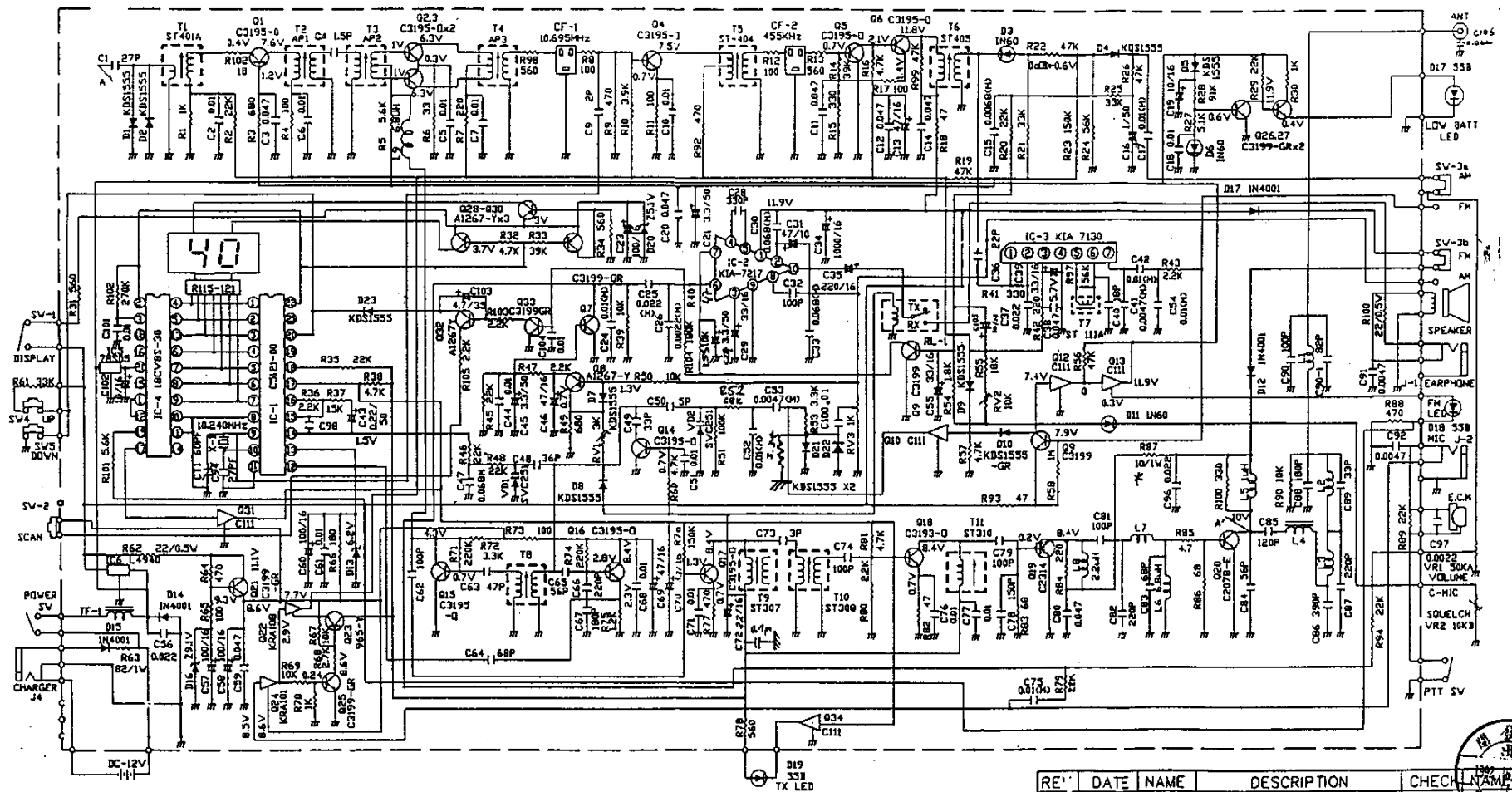


# SCHEMATIC DIAGRAM



\* factory alignment value

REV	DATE	NAME	DESCRIPTION	CHECK	NAME
MAT.	UNIT	SCALE	PCS	MODEL NAME	P NUMBER
	m/m	/		AE-2200 AF	
DRAWN	CHECKED	APPROVED		PROJECT	
				AE-2200	
				DRAWING NUMBER	
				2301181	