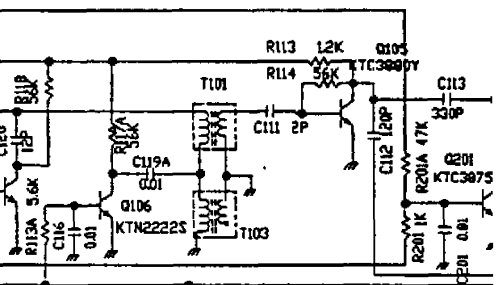
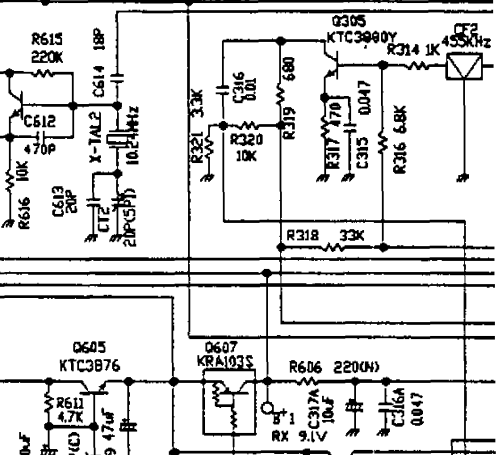
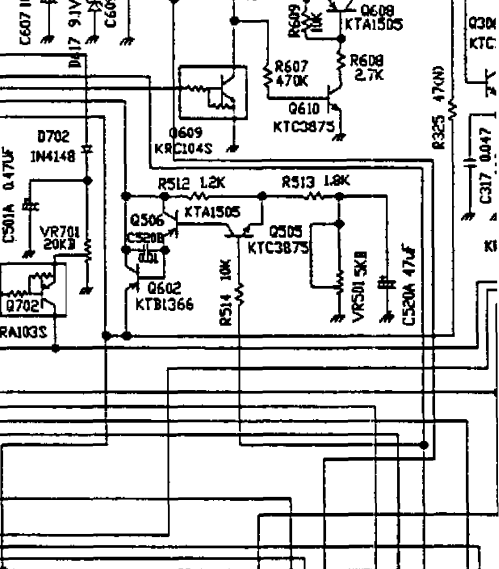
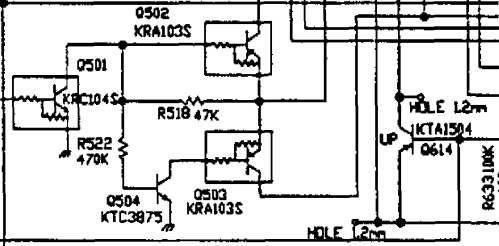
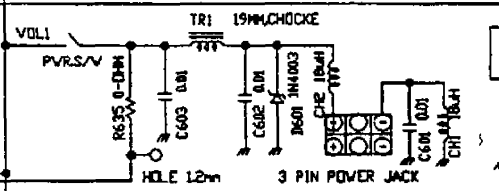
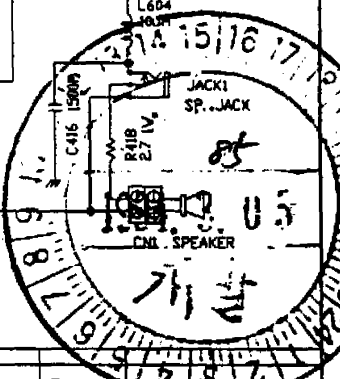
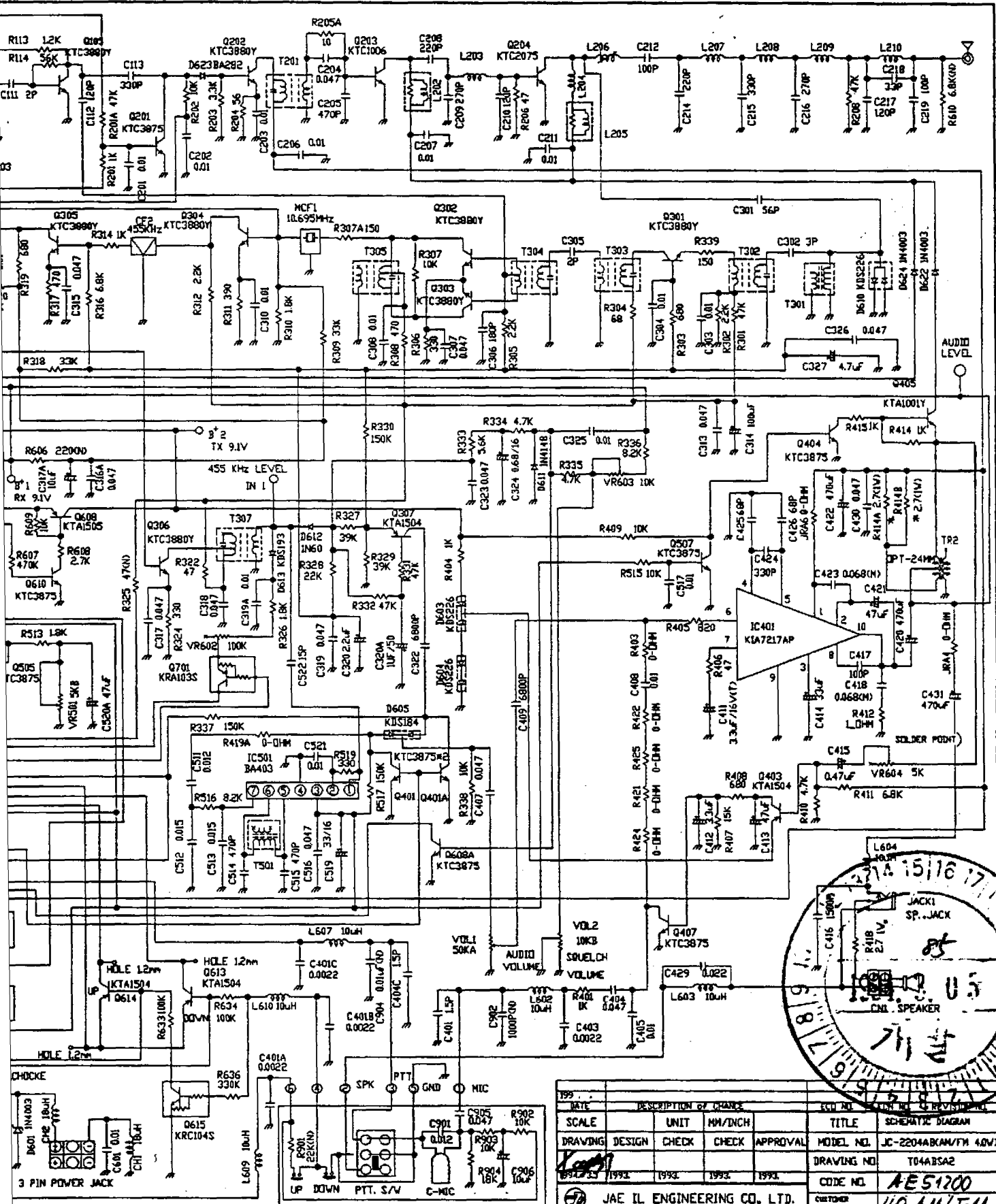


COMP	TX	MOD	S	A	B	LA	LF	LD	S4	S7	DV	S8	ENG	S9	2B	2A	2F	D				
82	23	1	2	3	4	5	6	7	8	9	10	11	12	13	14	15	16	17	18	19	20	21

IC701
LC-7232

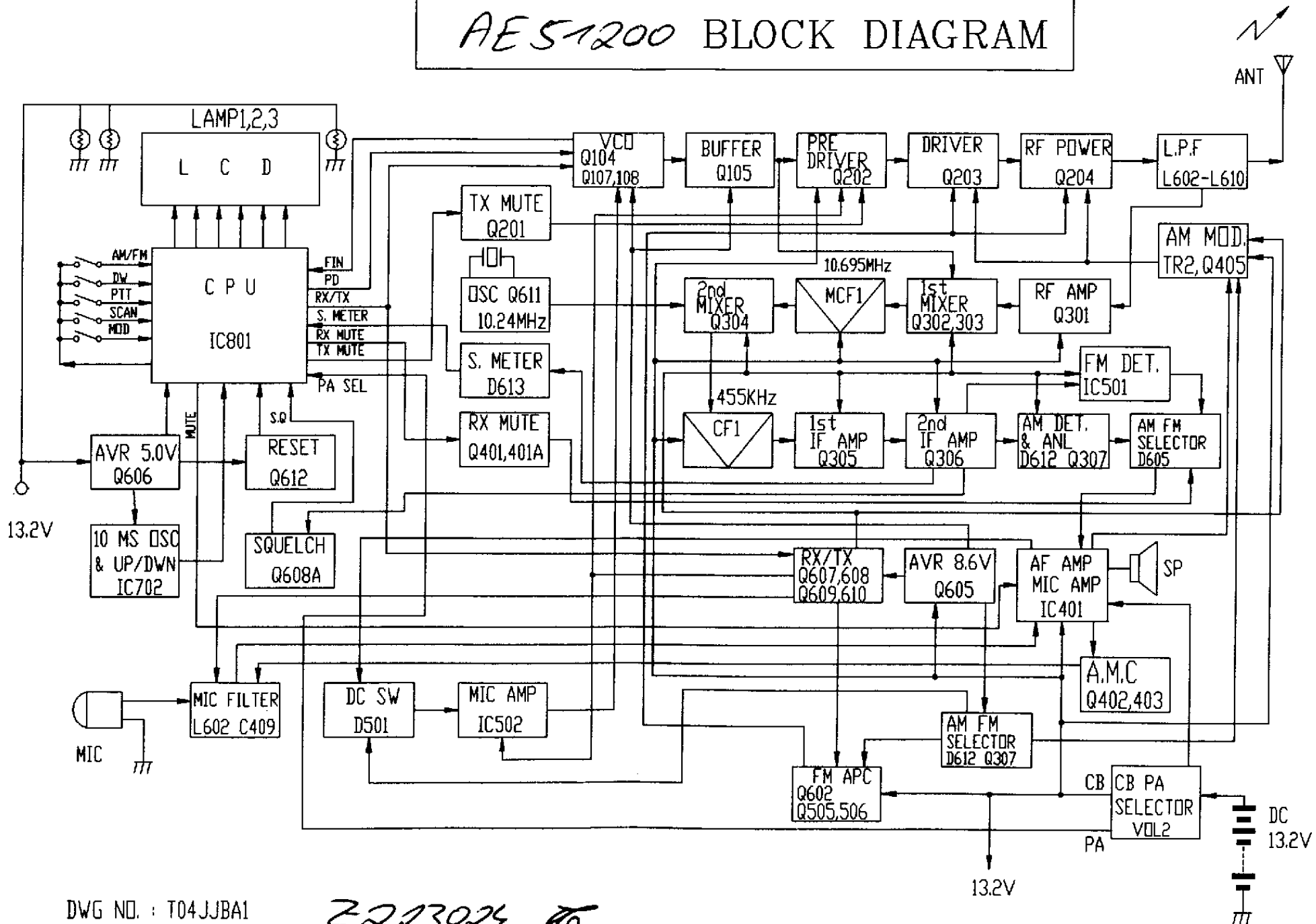




199						
DATE	DESCRIPTION OF CHANGE			ECO NO.	DRAWING NO.	
SCALE	UNIT	MM/INCH	TITLE	SCHEMATIC DIAGRAM		
DRAWING	DESIGN	CHECK	CHECK	APPROVAL	MODEL NO.	JC-2204ABKAM(FM 4.0V)
					DRAWING NO.	T04ABSA2
					CODE NO.	AE51200
					CUSTOMER	40 AM/FM
					DRAWING NO.	

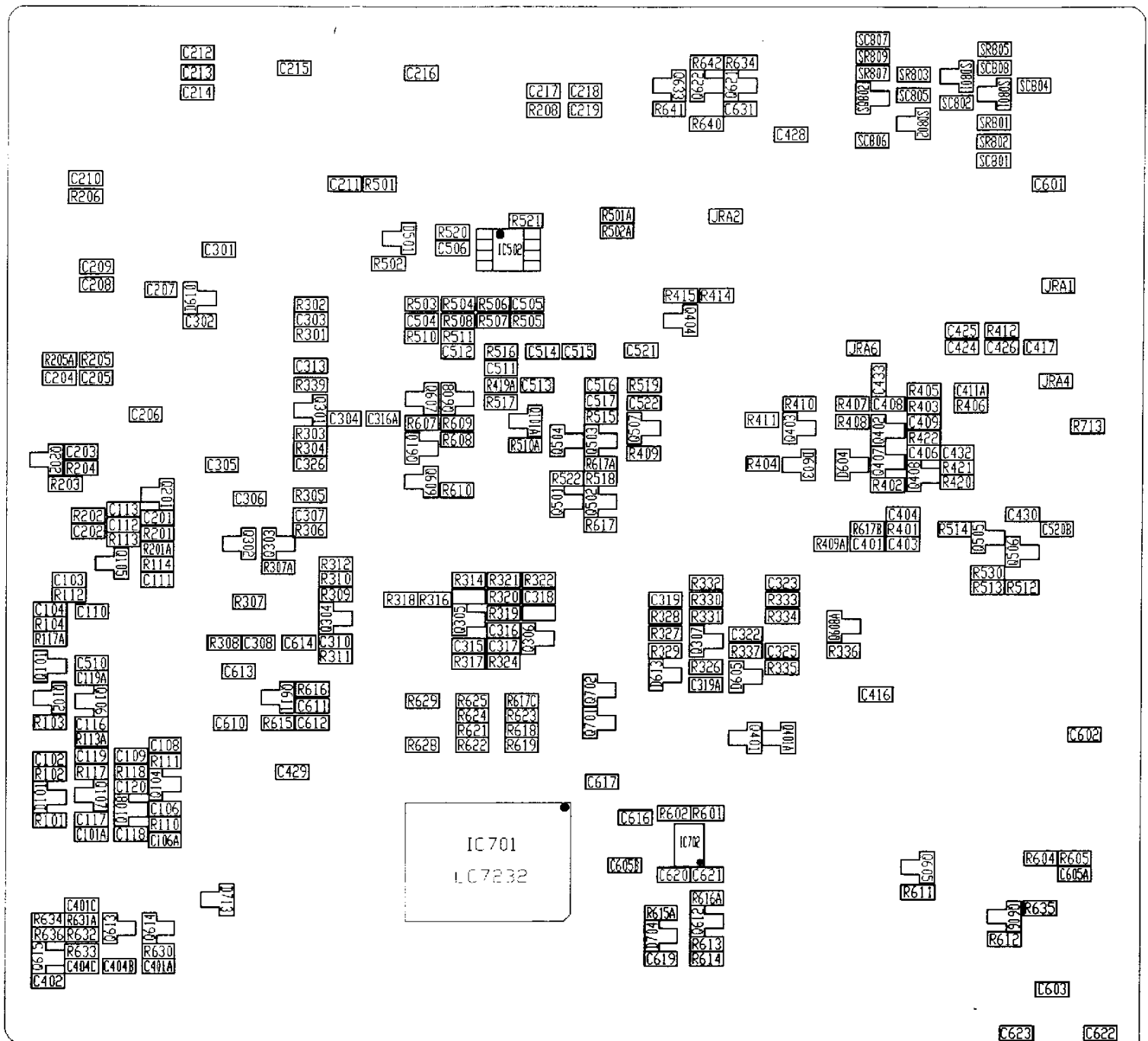
JAE IL ENGINEERING CO. LTD.

AES-1200 BLOCK DIAGRAM



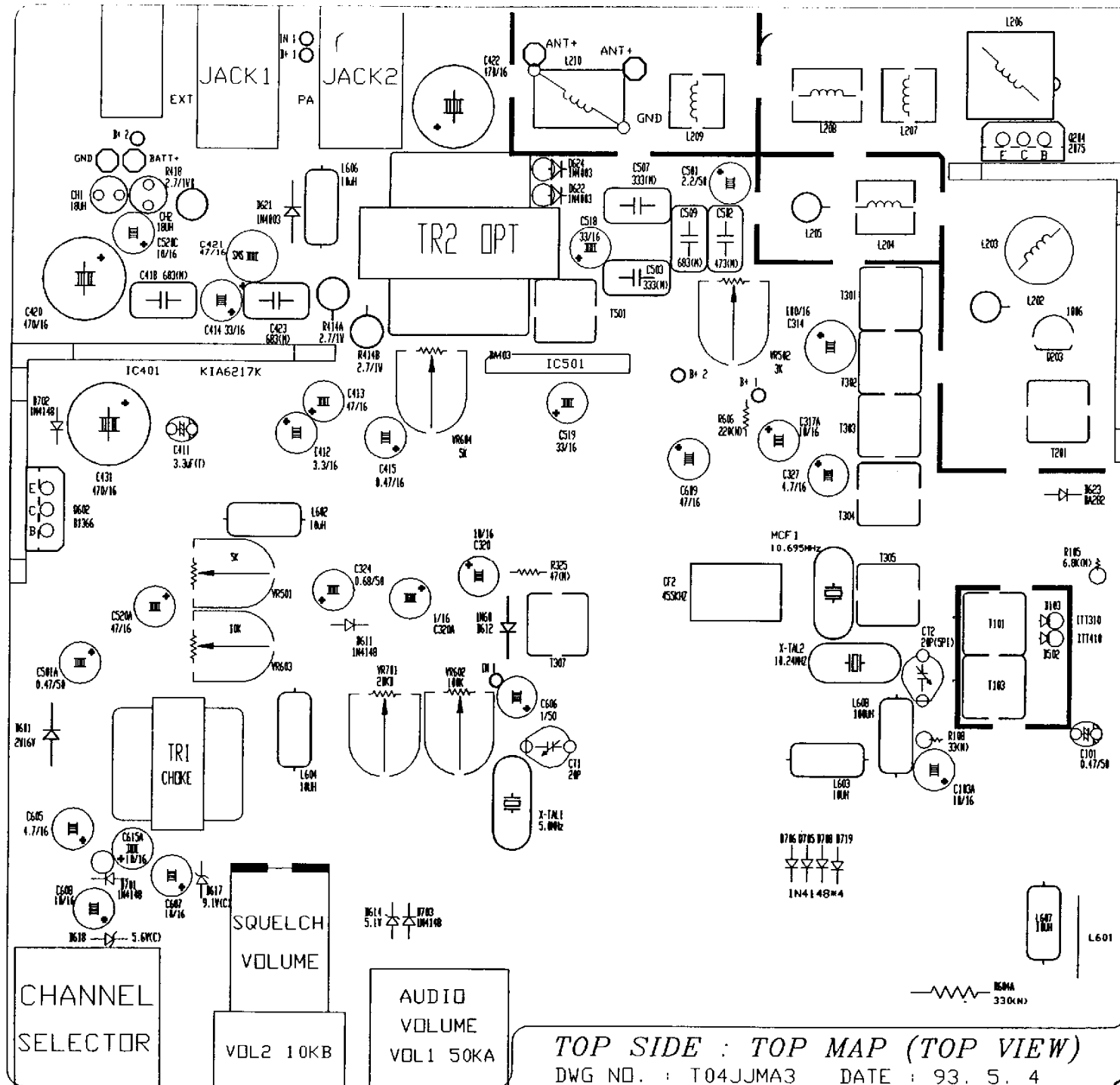
DWG NO. : T04JJBA1

2223024



BOTTOM SIDE , BOTTOM SCREEN (BOTTOM VIEW)
 AE51200 DWG NO. : T04AAMA2

C407
 R338



TOP SIDE : TOP MAP (TOP VIEW)
 DWG NO. : T04JJMA3 DATE : 93. 5. 4

AES1200
 2323024