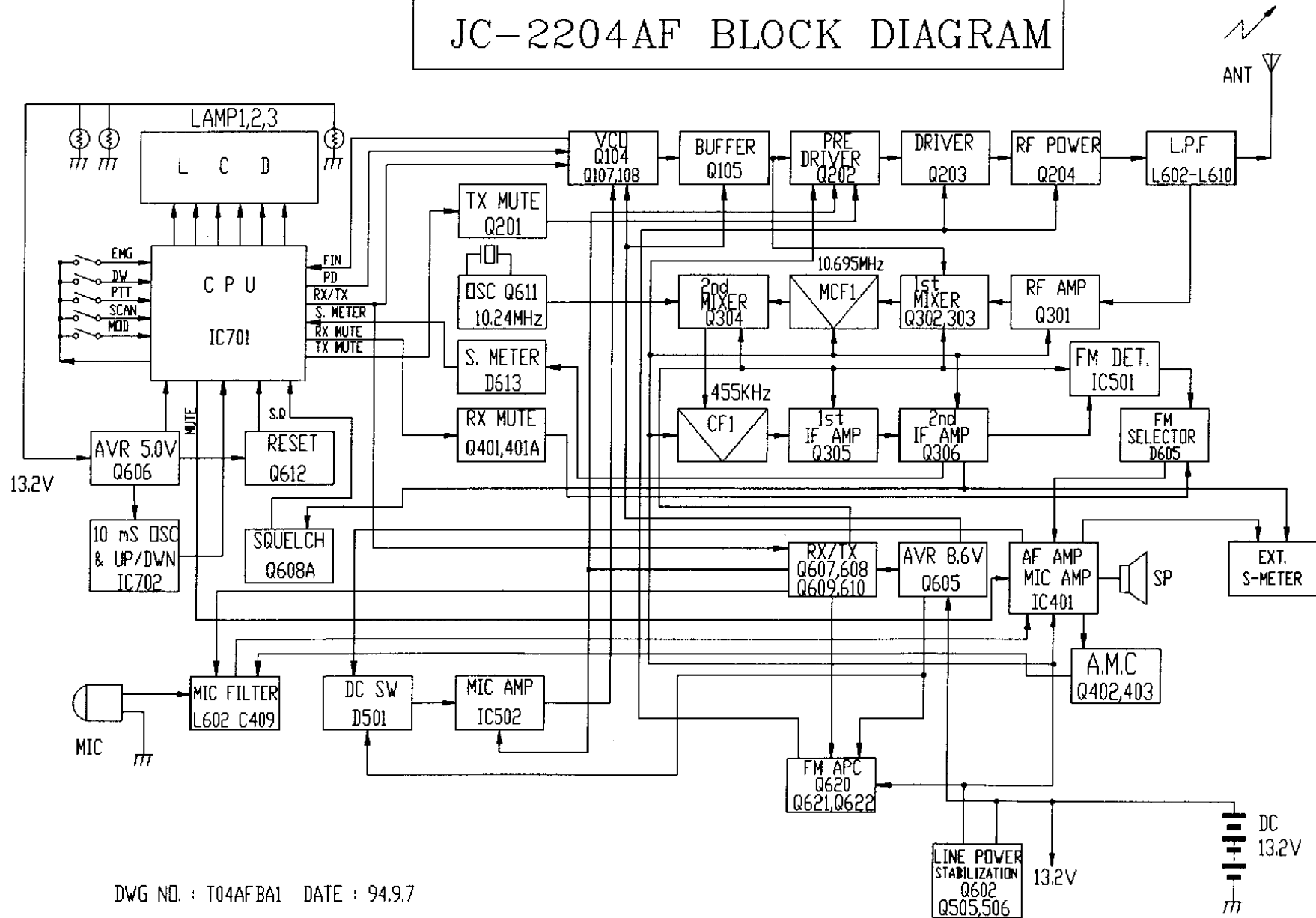
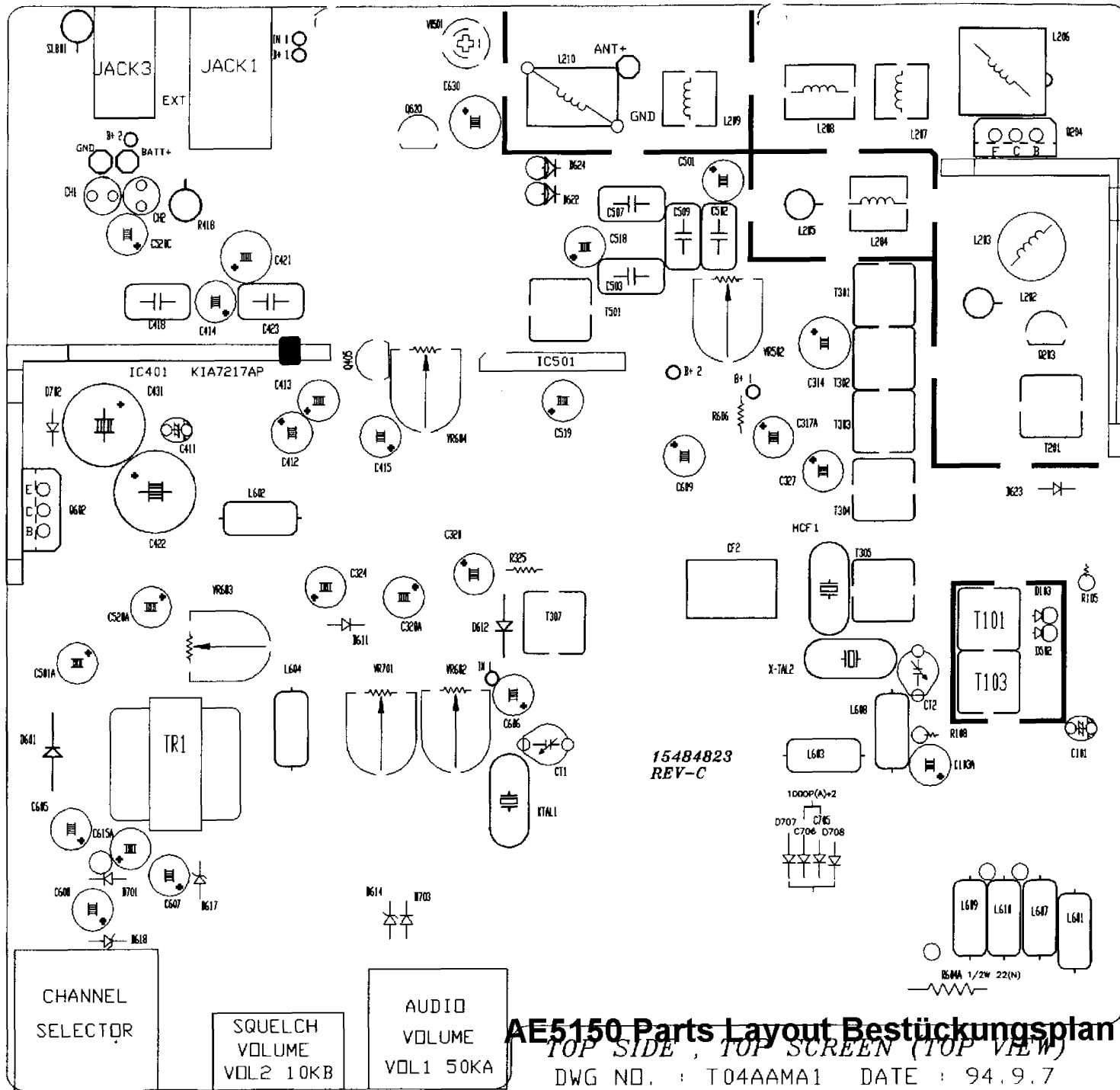


# ALBRECHT AE 5150 Blockdiagramm

## JC-2204AF BLOCK DIAGRAM





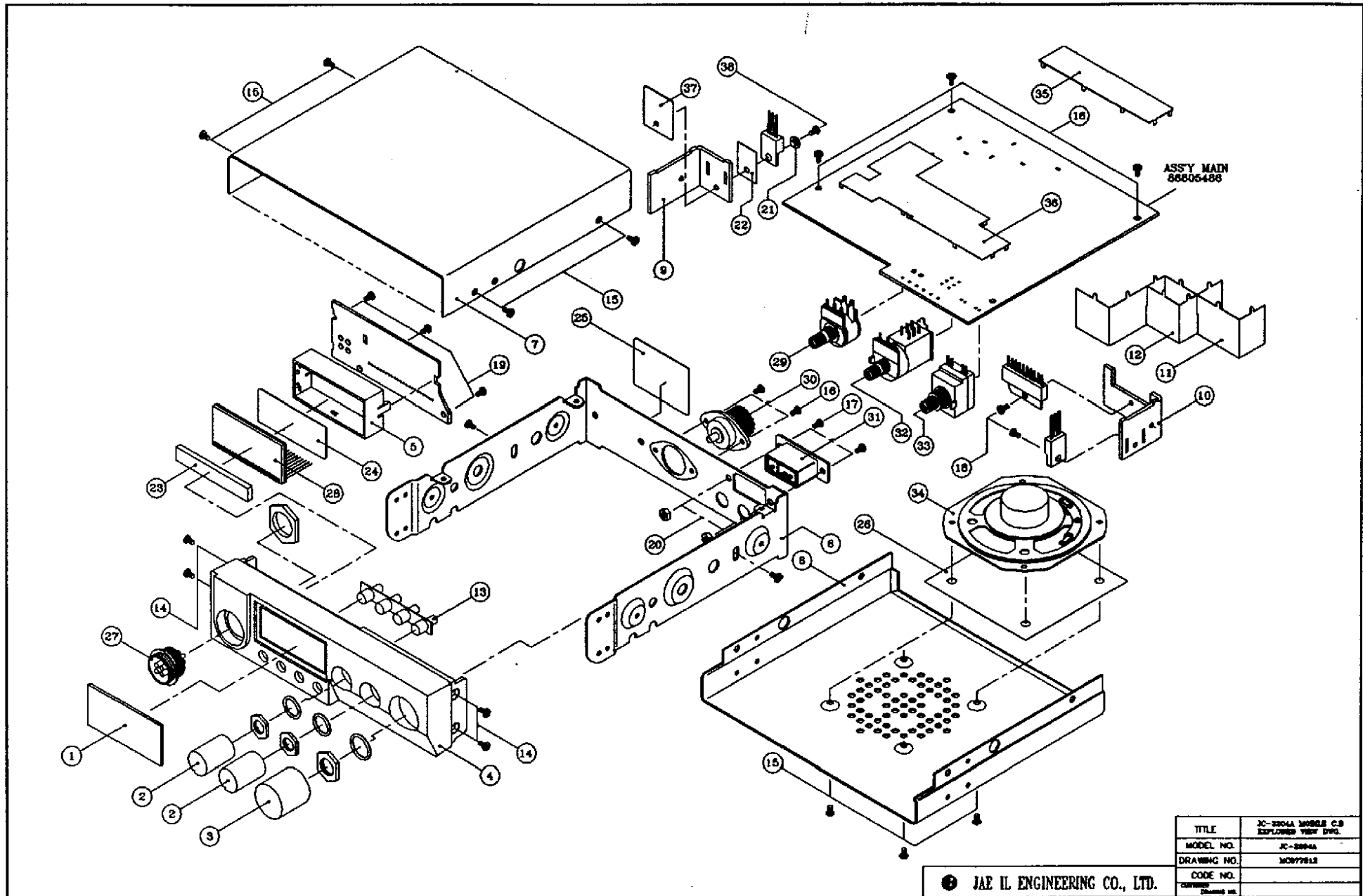
**AE5150 Parts Layout Bestückungsplan**

TOP SIDE , TOP SCREEN (TOP VIEW)

DWG NO. : T04AAMA1 DATE : 94.9.7

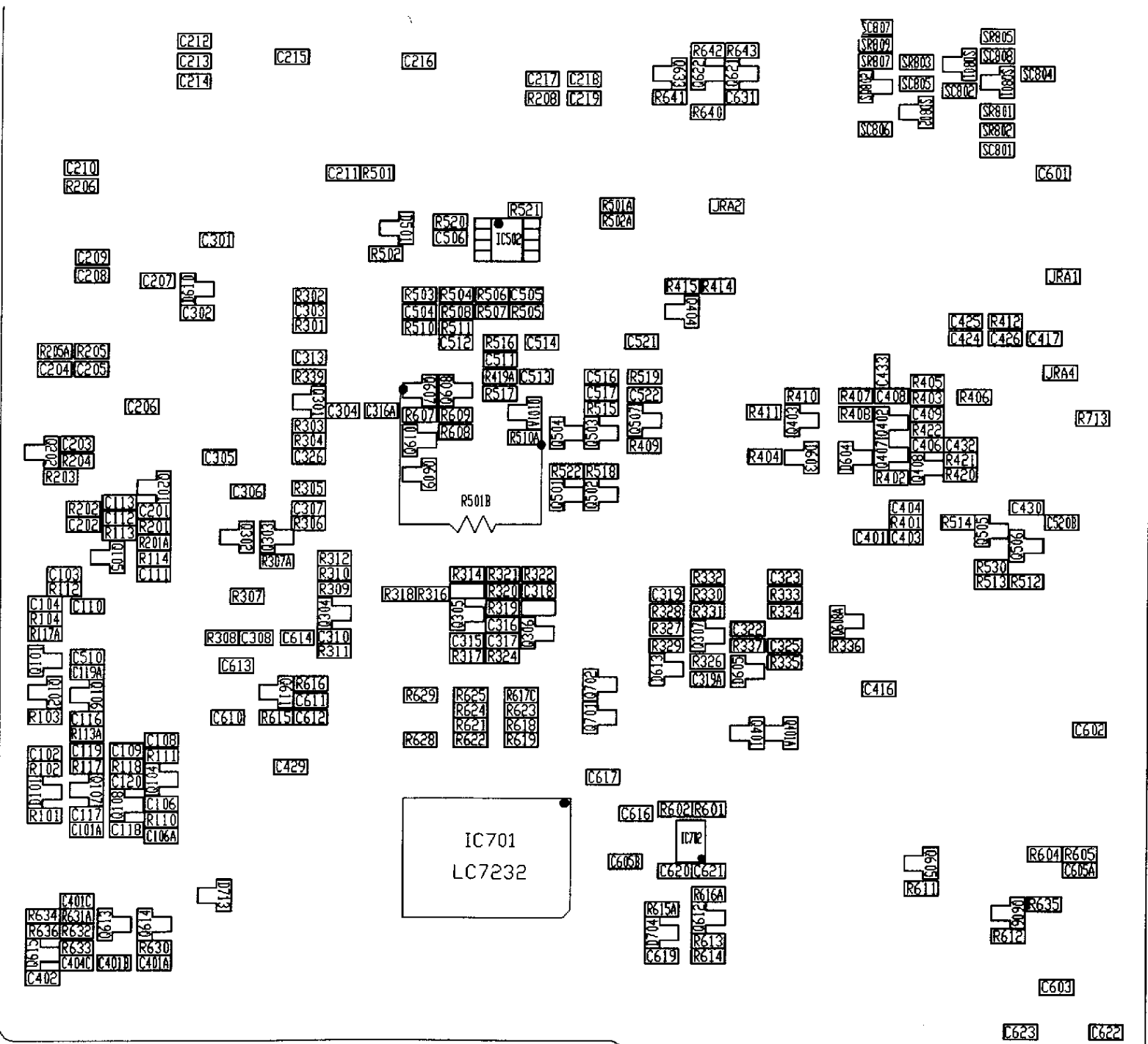
CHANNEL SELECTOR	SQUELCH VOLUME VOL2 10KB	AUDIO VOLUME VOL1 50KA
---------------------	--------------------------------	------------------------------

# ALBRECHT AE 5100 / 5150 / 5180 Geräteaufbau / Explosion View



TITLE	JC-2204A MOBILE C.B EXPLODED VIEW DWG.
MODEL NO.	JC-2204A
DRAWING NO.	10077812
CODE NO.	
DATE	

● JAE IL ENGINEERING CO., LTD.



MODEL : AE 5100 (JC2204AA)

Platinenlötseite AE 5100 / 5150 / 5180

C417  
R338

C623 C622

C603

R612 R635

R604 R605  
C605A

R611

R602 R601

C608

R615A R612  
C619 R613  
R616 R614

C617

IC701  
LC7232

R629 R625 R617C  
R624 R623  
R621 R618  
R622 R619

R314 R321 R322  
R310 R318  
R305 R319  
C315 C316  
R317 R324

R308 C308 C614 R310  
C613 R311  
C610 R615 C612

R307 R312  
R309 R310  
R306 R307  
R303 R304  
R305 R306

C103 R112 C110  
C104 R104 R117A  
C101 R101  
C102 R102  
C101C R634 R631A  
R636 R632  
R633 C404C C401B C401A  
C402

R205A R205  
C204 C205  
C203 R204  
R203  
C209 C208  
C207  
C302

C212  
C213  
C214

C215 C216

C217 C218  
R208 C219

R642 R643  
R641 R640  
C631

SC807  
SR809  
SR807  
SR803  
SR805  
SR801  
SR812  
SC801

C601

JRA2

C501A  
R502A

C211 R501

R520 R521  
C506 IC502

R302 R303  
R301

R503 R504 R506 C505  
C504 R508 R507 R505  
R510 R511  
C512

R415 R414

JRA1

C425 R412  
C424 C426 C417

R411 R410  
R404 R403

JRA4

R407 C408 R405  
R408 R409  
R422 C406 C432  
R421 R420

R713

C404 R401  
C401 C403  
R514C C430  
C506 C508  
R530 R513 R512

C416

C602

R332 R330  
R328 R331  
R327 R320  
R329 R326  
R319A R605 R322  
R334 R333  
R335 R334

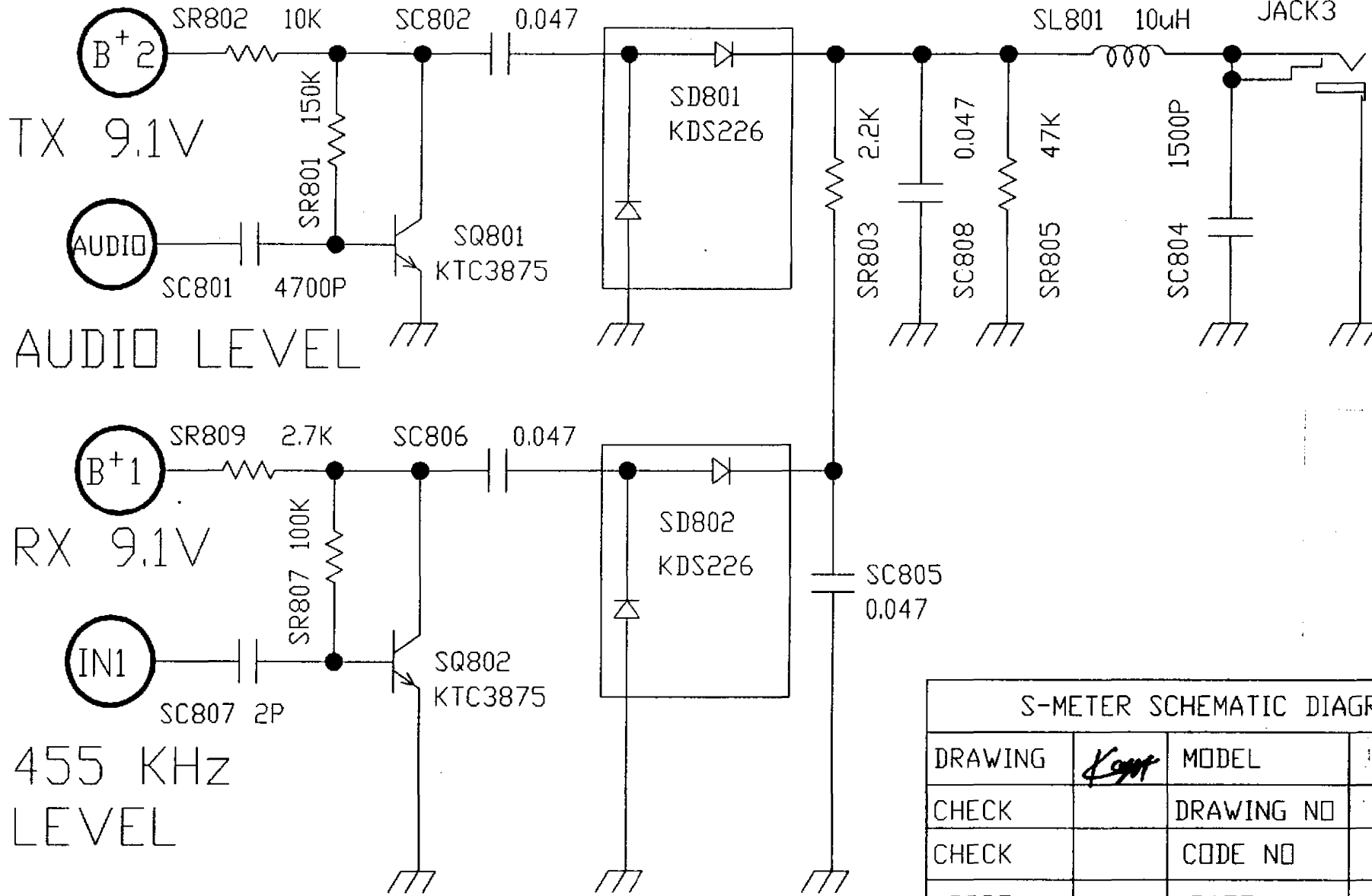
R701 R702

J713



# SIGNAL METER SCHEMATIC

Albrecht AE 5100 / 5150 / 5180 Anschluß S-Meter



S-METER SCHEMATIC DIAGRAM

DRAWING	<i>Kerr</i>	MODEL	10-1-100
CHECK		DRAWING NO	10-1-100
CHECK		CODE NO	
APPROVAL		DATE	