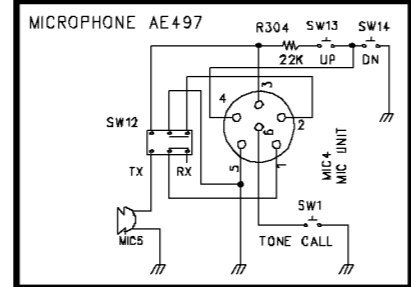
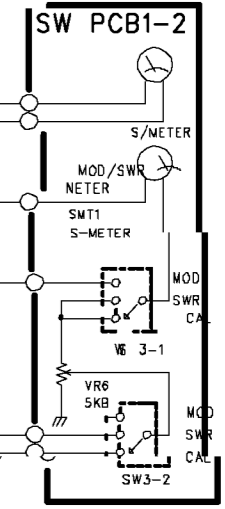
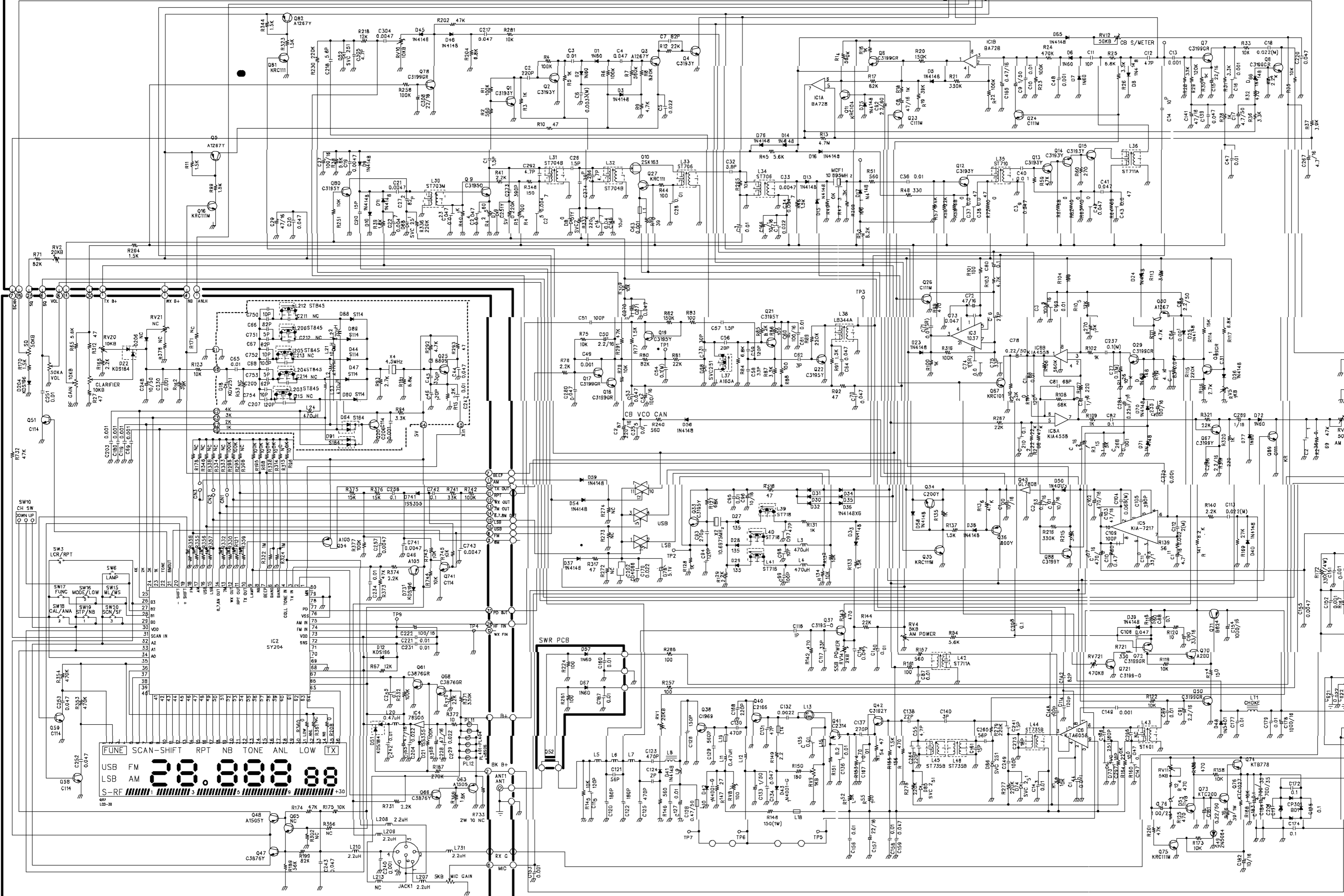
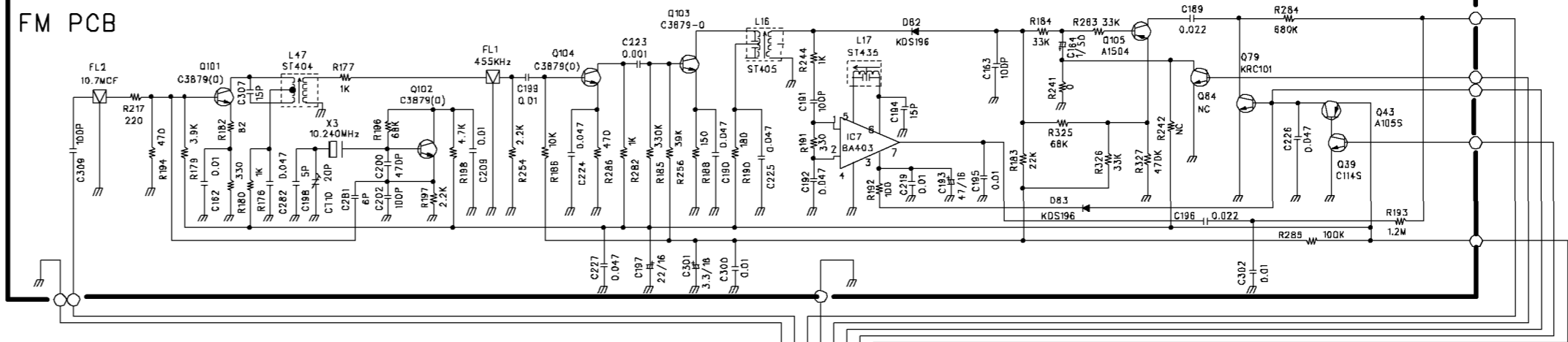


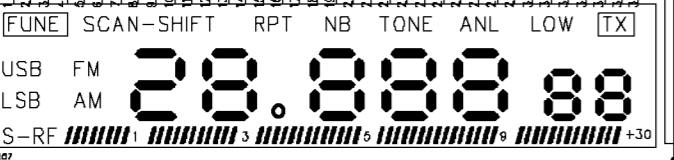
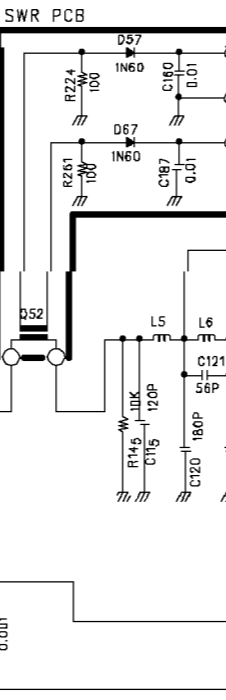
MODE SETTING		MODE SETTING	
#1	0 EXTENSION	#1	0 SSB ON
#1	1 STANDARD	#1	1 SSB OFF
#1	2 MASTER	#1	2 RPT. 800Hz
#1	3 BASTER	#1	3 RPT. 1.2KHz
#1	4	#1	4 CR ENABLE
#1	5 FM ONLY	#1	5 HAN ONLY
#1	6 NORMAL	#1	6 NORMAL
#1	7 AB ONLY	#1	7 20.075 START



FM PCB



SWR PCB



Albrecht
AE 497 S
10m Amateur
Radio

