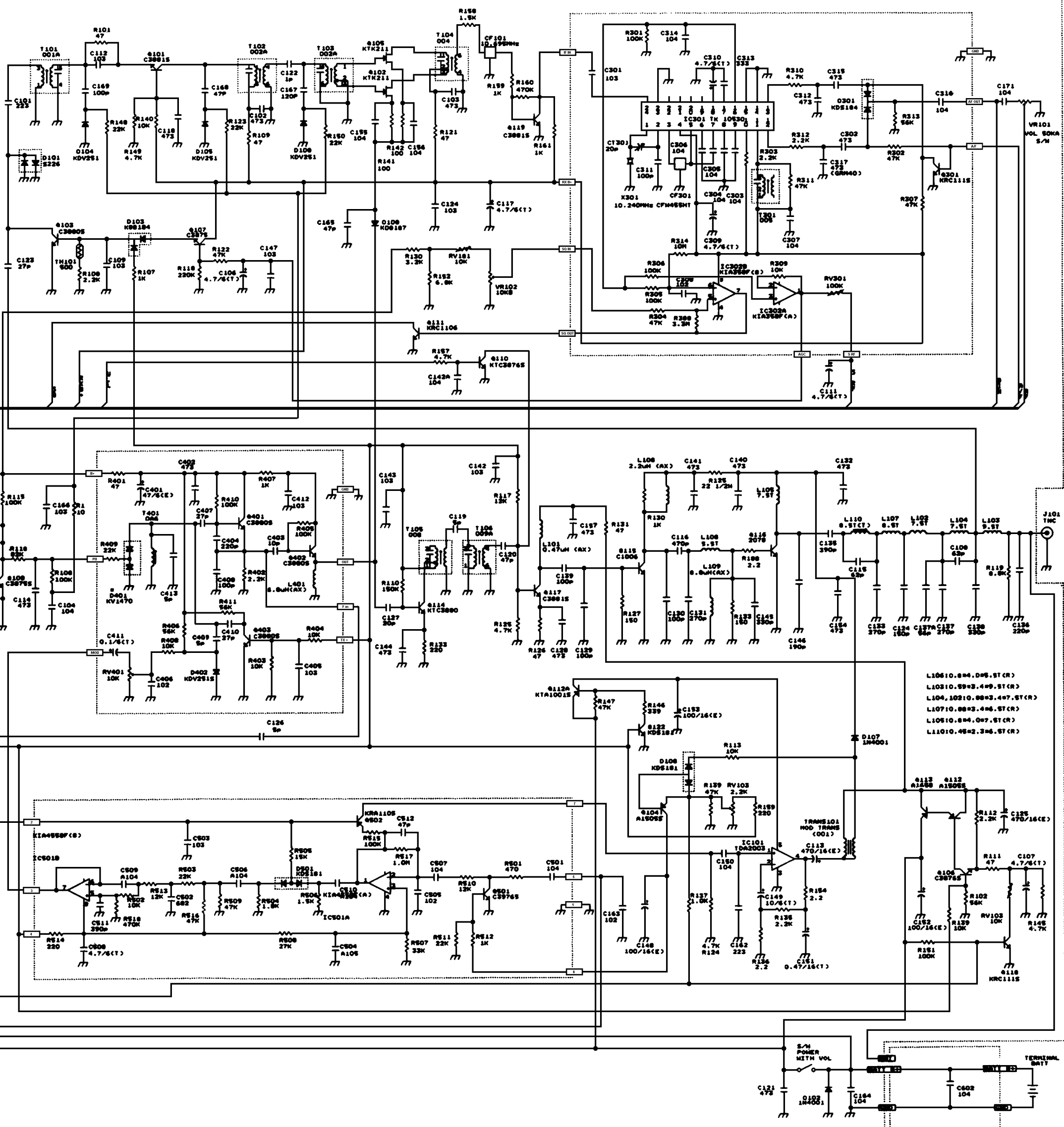


- 1 2 FB+ Vcc to VCO PCB
- 2 RX B+ Vcc to RX and IF
- 4 PD VCO Voltage to VCO
- 5 TX TX signal to VCO and TX
- 6 Fin VCO frequency to PLL (CPU)
- 7 A/F AM/FM modulation
- 8 SW B+ Vcc from ON/OFF Switch
- 9 H/L High/Low RF Power
- 10
- 11 BATT Vcc from battery
- 12 BATT Vcc from battery
- 13 AF Audio signal
- 14 U.L. Unlock
- 15 MIC Microphone signal
- 16 S/R/F S-meter signal
- 17 SO Squelch signal
- 18
- 19 GND Ground
- 20



- L106 10.8uH (AX)
- L103 0.59uH (STCR)
- L104 10210.88uH (STCR)
- L107 10.88uH (STCR)
- L105 10.8uH (STCR)
- L110 10.45uH (STCR)

