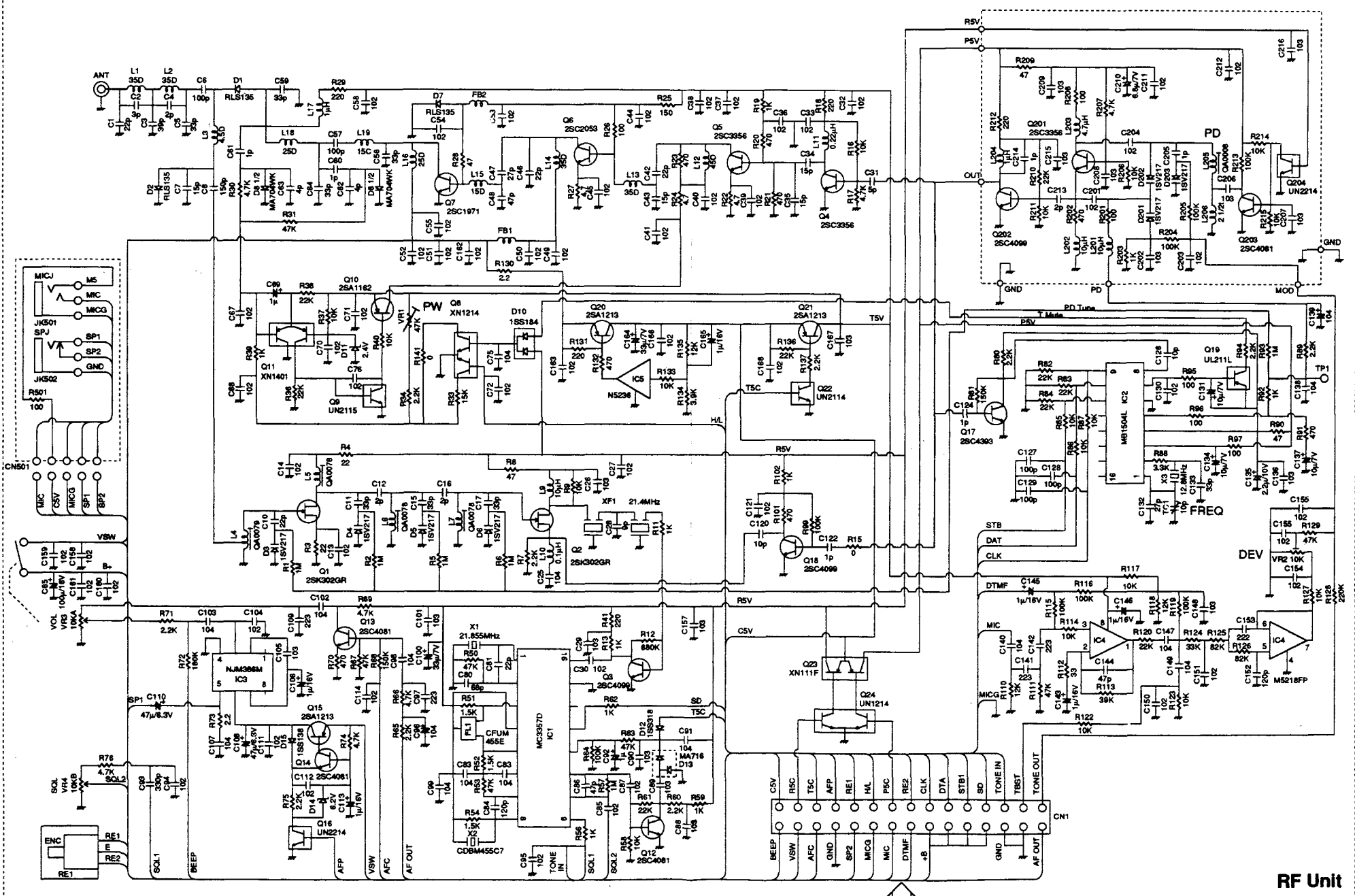
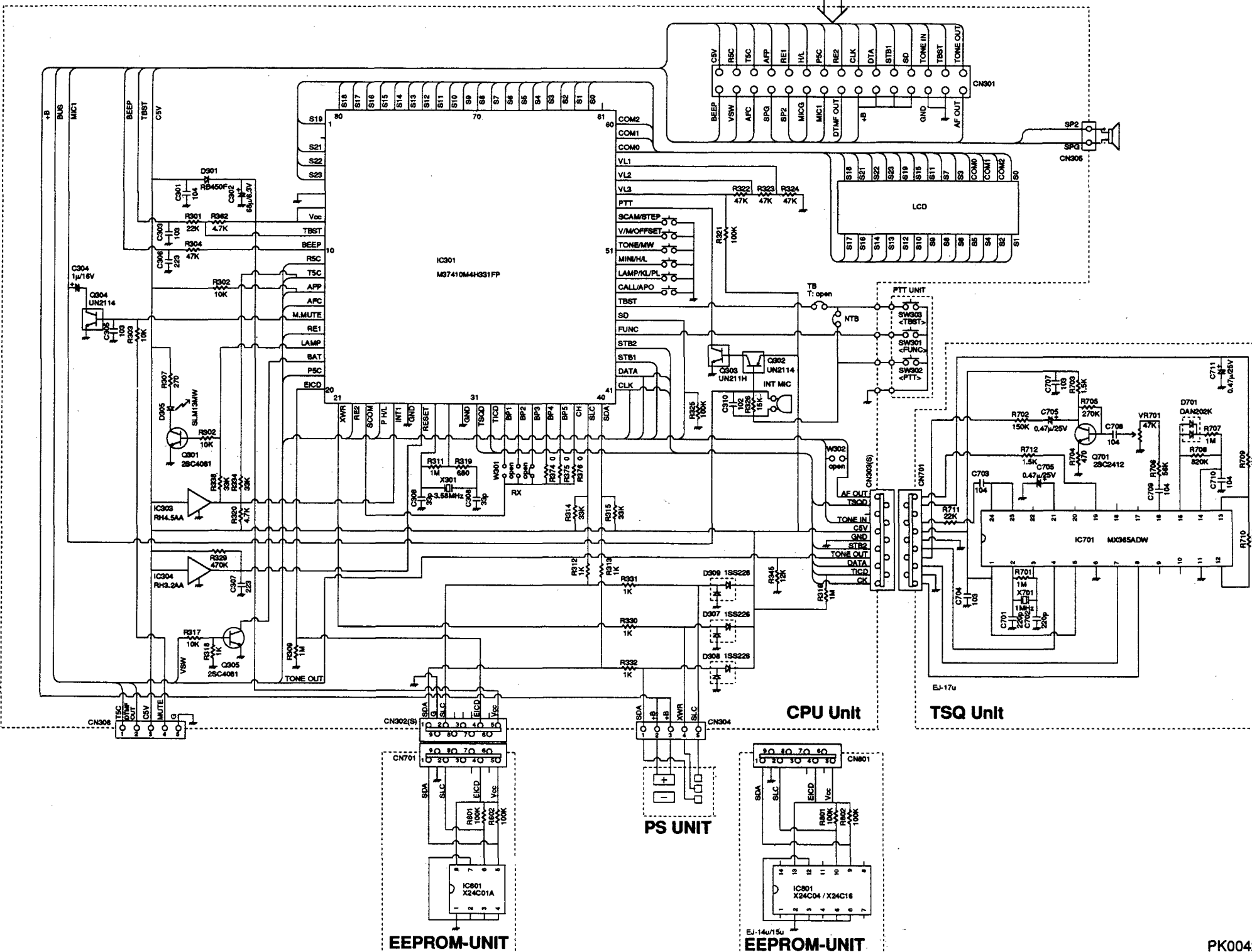


# SCHEMATIC DIAGRAM DJ-1400

Specifications are subject to change without notice or obligation.



RF Unit



CPU Unit

TSQ Unit

PS UNIT

EEPROM-UNIT

EEPROM-UNIT