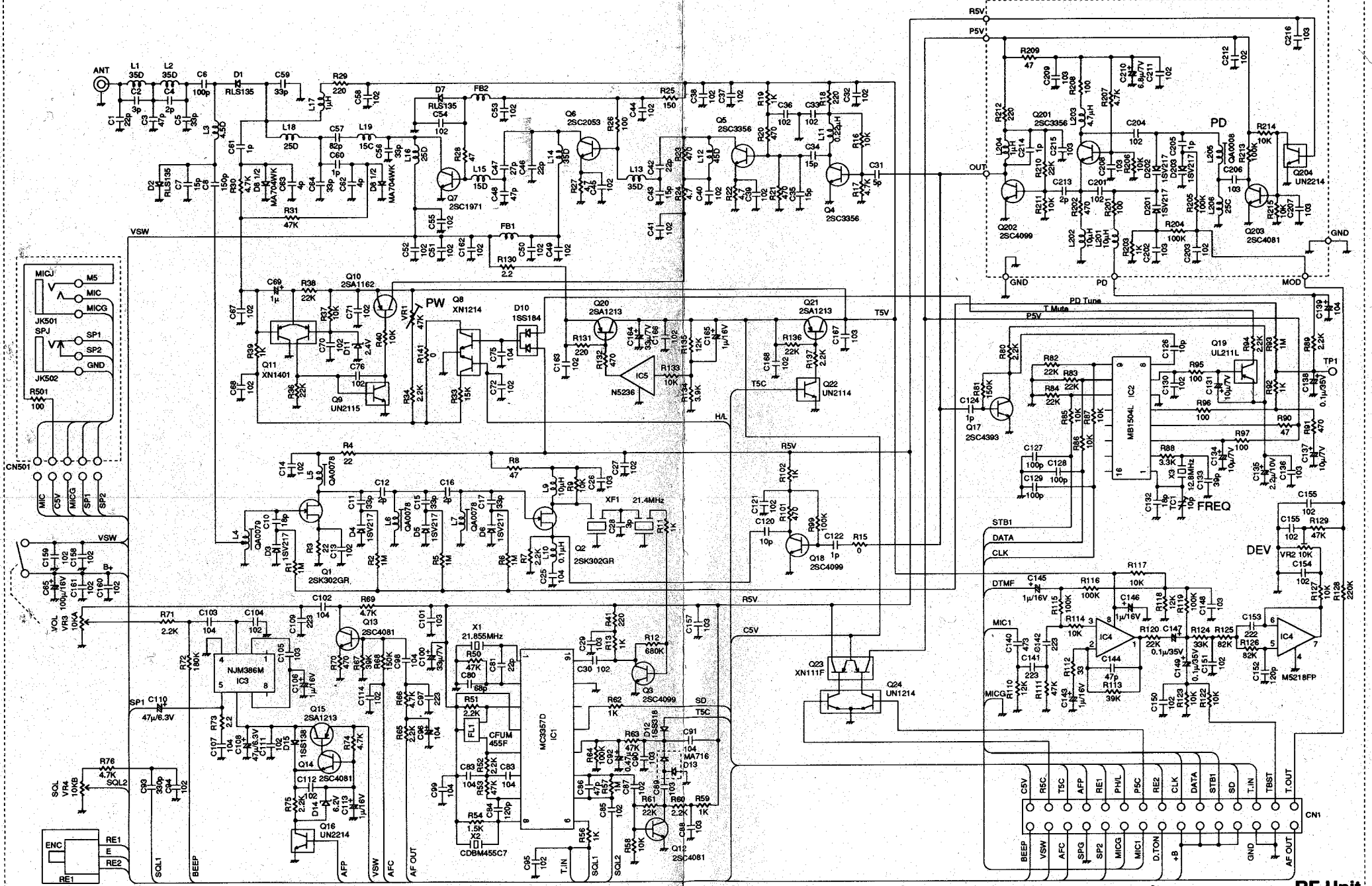
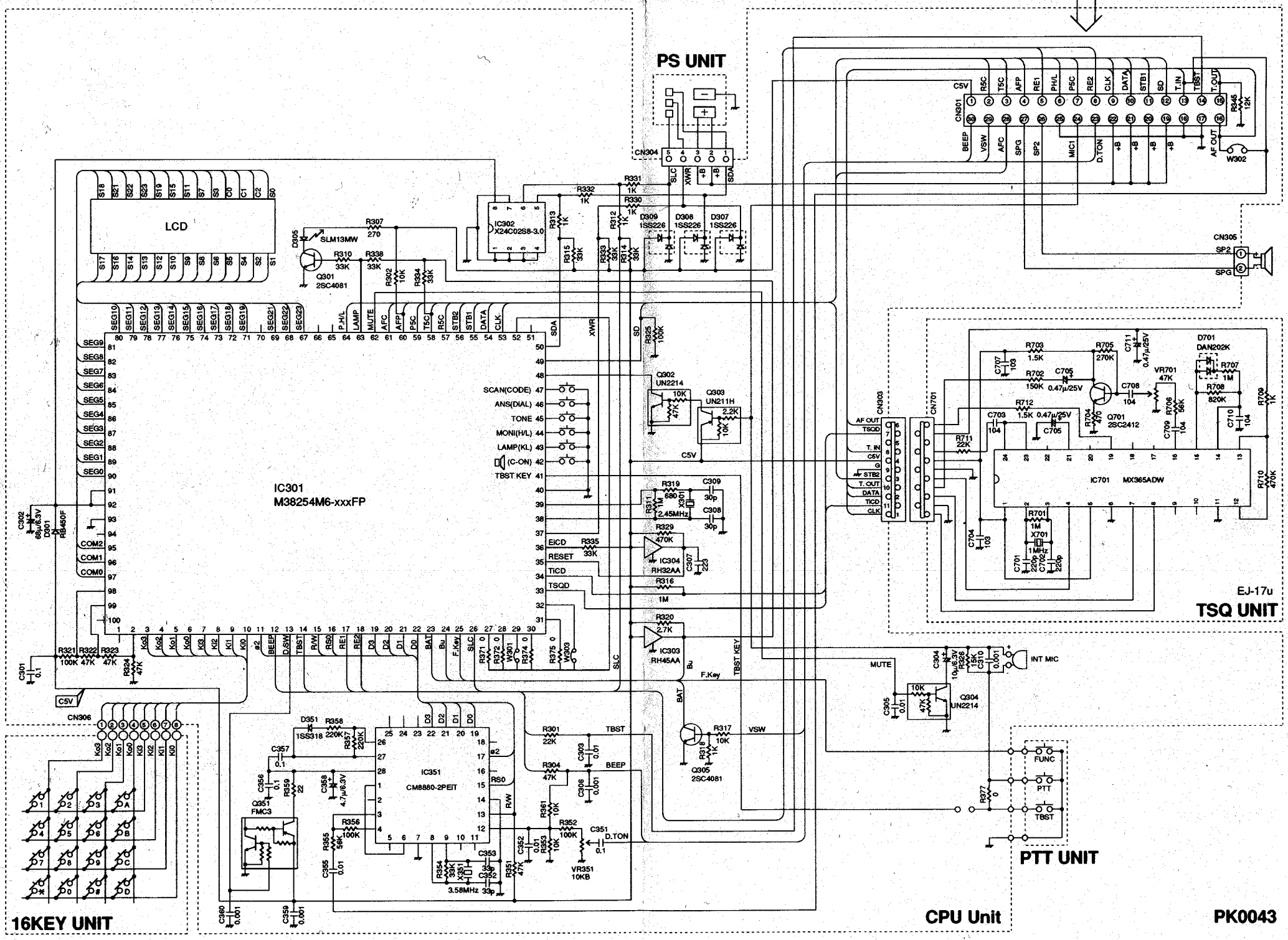


# SCHEMATIC DIAGRAM DJ-182C1/C2

Specifications are subject to change without notice or obligation.



RF Unit



16KEY UNIT

PS UNIT

CPU Unit

PTT UNIT

EJ-17u  
TSQ UNIT

PK0043

IC301  
M38254M6-xxxFP

INT MIC

