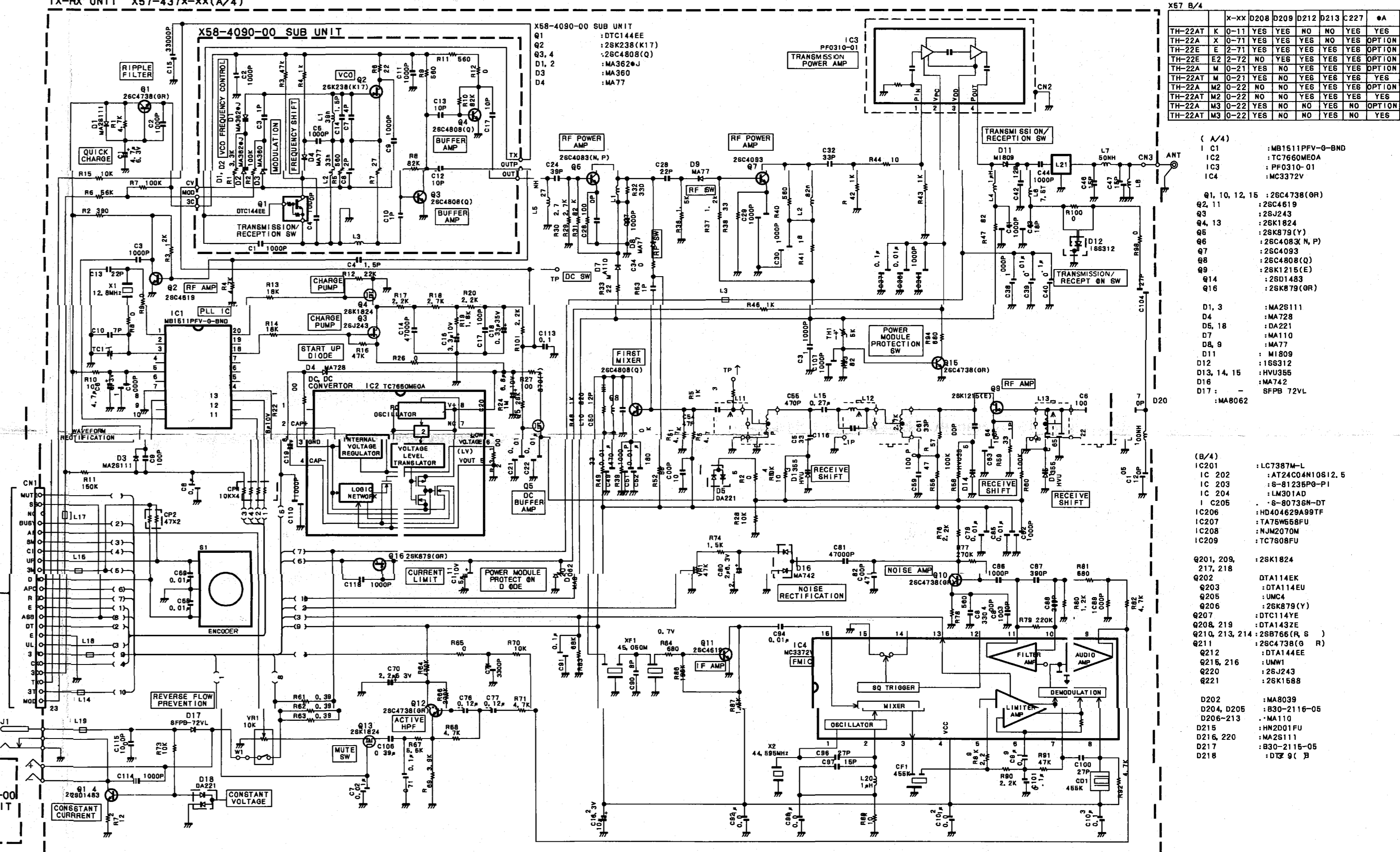
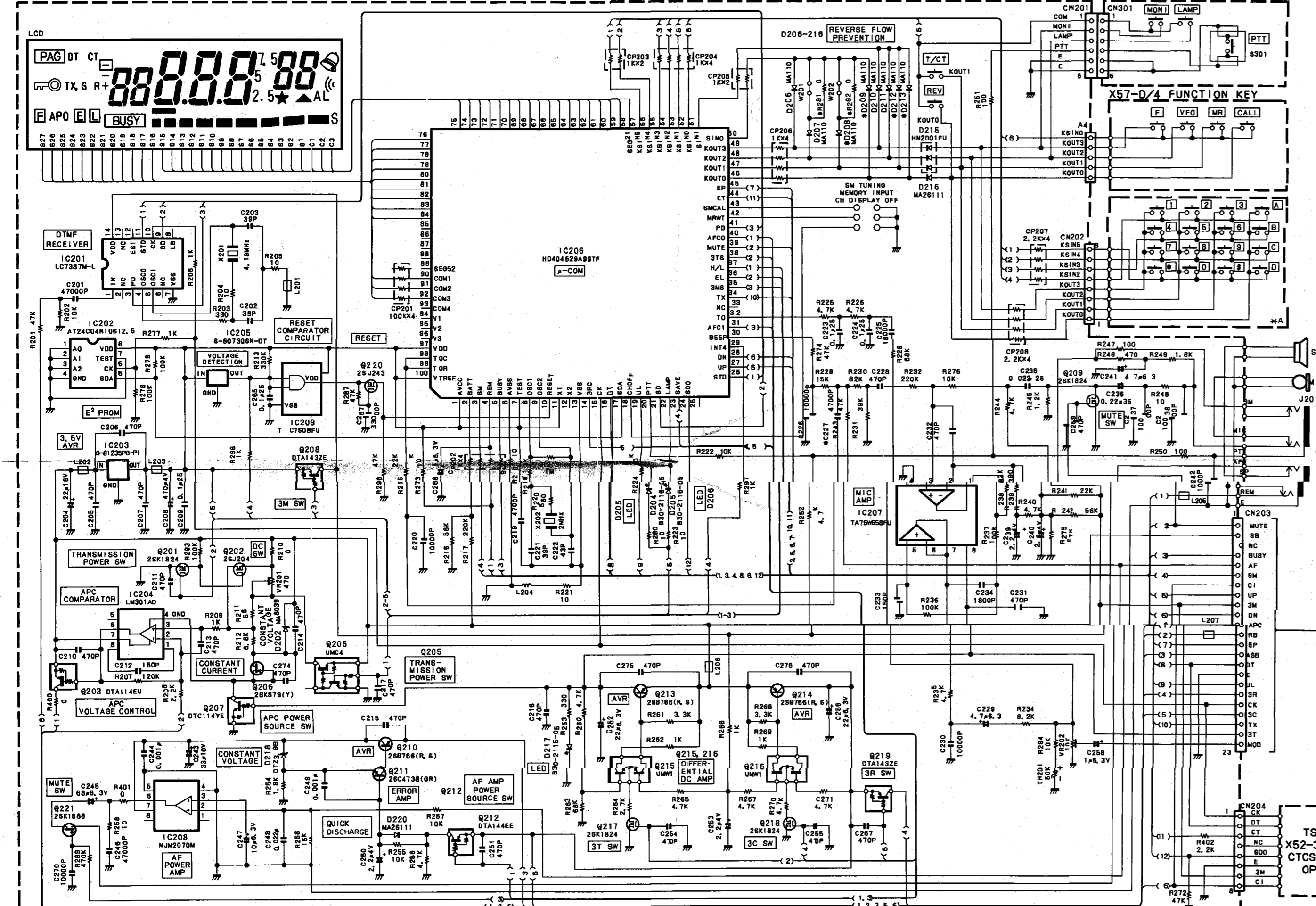


# TH-22A/22AT/22E SCHEMATIC DIAGRAM



TH-22A	K	0-11	YES	YES	NO	NO	YES	YES
TH-22A	X	0-71	YES	YES	NO	NO	YES	OPTION
TH-22E	E	2-71	YES	YES	YES	YES	YES	OPTION
TH-22A	E	2-72	NO	YES	YES	YES	YES	OPTION
TH-22A	M	0-21	YES	NO	YES	YES	YES	OPTION
TH-22AT	M	0-21	YES	NO	YES	YES	YES	YES
TH-22A	M2	0-22	NO	NO	YES	YES	YES	OPTION
TH-22A	M2	0-22	NO	NO	YES	YES	YES	YES
TH-22A	M3	0-22	YES	NO	NO	NO	YES	NO
TH-22AT	M3	0-22	YES	NO	NO	NO	YES	NO

- (A/4)
- I C1 : MB1511PFV-G-BND
  - I C2 : TC7650ME0A
  - I C3 : PF0310-01
  - I C4 : MC3372V
- Q1, 10, 12, 15 : 26C4738(OR)
- Q2, 11 : 26C4619
- Q3 : 26J243
- Q4, 13 : 26K1824
- Q5 : 26K879(Y)
- Q6 : 26C408X(N, P)
- Q7 : 26C4093
- Q8 : 26C4808(Q)
- Q9 : 26K1215(E)
- Q14 : 26D1483
- Q16 : 26K879(OR)
- D1, 3 : MA2811
- D4 : MA728
- D5, 18 : DA221
- D7 : MA110
- D8, 9 : MA77
- D11 : M1809
- D12 : 16S312
- D13, 14, 15 : HVU365
- D16 : MA742
- D17 : 6FPB 72VL
- MA8062

- (B/4)
- I C201 : LC7387M-L
  - I C202 : AT24C04N10812.5
  - I C 203 : S-8123BP8-P1
  - I C 204 : LM301AD
  - I C205 : S-80738N-DT
  - I C206 : HD40462A99TF
  - I C207 : TA75W58FU
  - I C208 : NJM2070M
  - I C209 : TC7608FU
- Q201, 209 : 26K1824
- Q217, 218 : DTA114E
- Q202 : DTA114EU
- Q203 : UMCA
- Q205 : 26K879(Y)
- Q207 : DTG114YE
- Q208, 219 : DTA1432E
- Q210, 213, 214 : 26B766(R, S)
- Q211 : 26C4738(G, R)
- Q212 : DTA144EE
- Q215, 216 : UMW1
- Q220 : 26J243
- Q221 : 26K1688
- D202 : MA8039
- D204, D205 : B30-2116-05
- D206-213 : MA110
- D215 : HM2001FU
- D216, 220 : MA2S11
- D217 : B30-2116-05
- D218 : DTG 9 (B)

Note: Circuits are subject to change without notice due to advancements in technology.