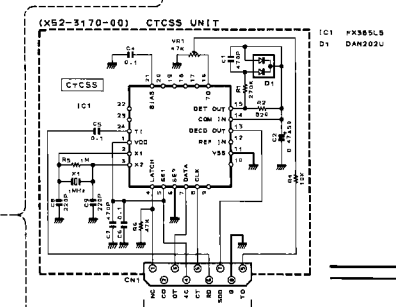
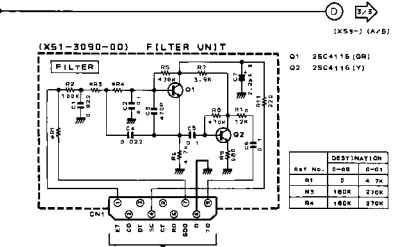
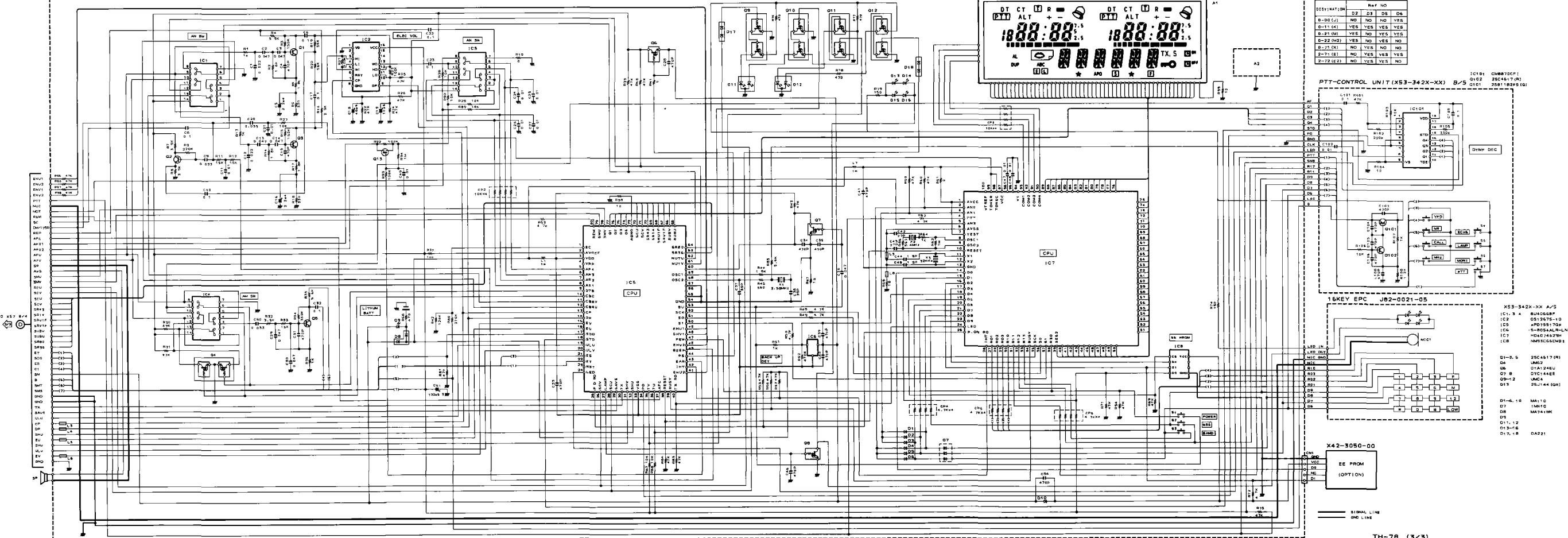


- | | | | |
|------------|-------------|-----------|--------|
| IC801 | NJ4566M | D301, 306 | MA742 |
| IC802 | TA7776P | D802 | NAB099 |
| IC803, 304 | MC33720 | D303 | DA8220 |
| IC805 | A77787AF | D805 | MA728 |
| IC806 | S-81250H-RD | D812, 313 | MA110 |
| IC807 | TC9174P | D314, 318 | DA221 |
| IC808 | LM331AD | | |
-
- | | | |
|-----------------|----------------|---------------|
| Q301 | 302, 309, | DT1448E |
| D301, 302 | 313, 323, 330 | LM01 |
| D303 | D303 | 2581182P5 (Q) |
| Q304, 317, 318 | 2581182P5 (Q) | |
| Q305, 310, 326, | 25C1417 (Q) | |
| 328, 329 | 25C1417 (Q) | |
| Q306, 338 | DTA148E | |
| Q307 | 25C4215 (*) | |
| Q308, 325 | DT1448E | |
| Q311 | 25C819 (V) | |
| Q312, 314 | FM4 | |
| 316, 316 | FM4 | |
| Q319, 320 | FM4 | |
| Q321 | FM4 | |
| Q322, 325 | DT1448E | |
| Q324 | 25C4619 (P, Q) | |
| Q325 | FM4 | |
| Q329-336 | UM47 | |
| Q338 | DTA148E | |



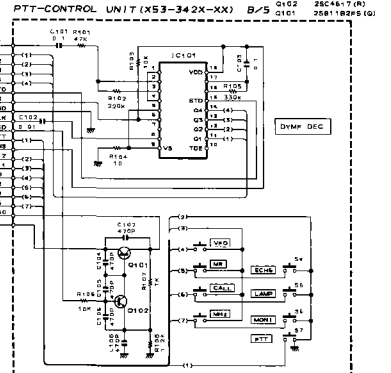
SIGNAL LINE
AND LINE

X53-342X-XX A/5 CONTROL UNIT



| DESTINATION | D2 | D3 | D5 | D6 |
|-------------|-----|-----|-----|-----|
| 0-00 (L) | NO | NO | NO | YES |
| 0-1 (C) | YES | YES | YES | YES |
| 0-21 (M) | YES | NO | YES | YES |
| 0-22 (M2) | YES | NO | YES | NO |
| 0-25 (M) | NO | YES | NO | NO |
| 0-27 (S) | NO | YES | YES | YES |
| 0-28 (E2) | NO | YES | YES | NO |

IC101 Q988102F1
 IC102 RSC4617(B)
 IC101 28P118295(0)

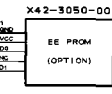


X53-342X-XX A/5

| | |
|-------|--------------|
| IC1-3 | BUH6068P |
| IC2 | 0512675-10 |
| IC3 | AP05570P |
| IC4 | 1S-8904AL4-N |
| IC7 | H4074627H |
| IC8 | H4074627H |

| | |
|---------|-------------|
| Q1-3, 5 | 25C4617(R) |
| Q4 | UM2 |
| Q8 | CY422REU |
| Q7, 8 | CYC144E |
| Q9-12 | UM4 |
| Q13 | 251-44 (GR) |

| | |
|----------|--------|
| D1-4, 10 | MA110 |
| D7 | 1M45E |
| D8 | MA741M |
| D11, 12 | |
| D13-16 | |
| D17, 18 | DA221 |

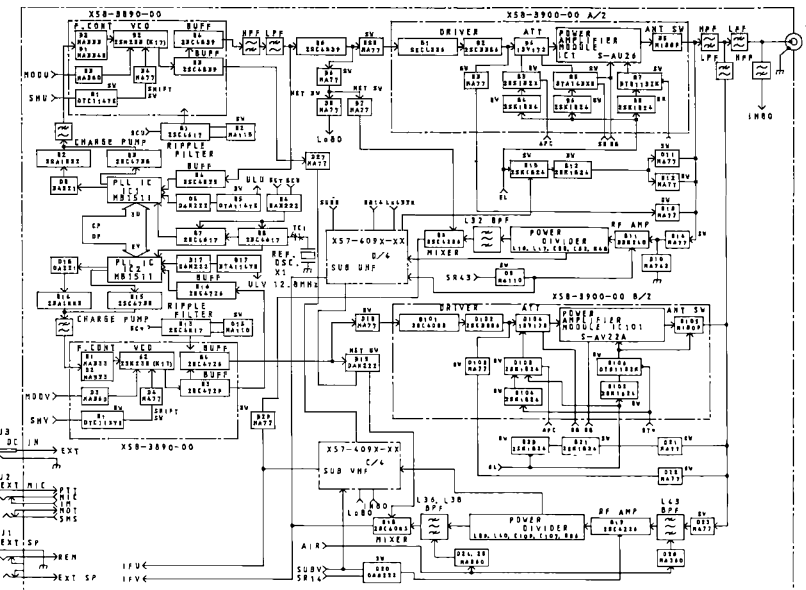


SIGNAL LINE
 GND LINE

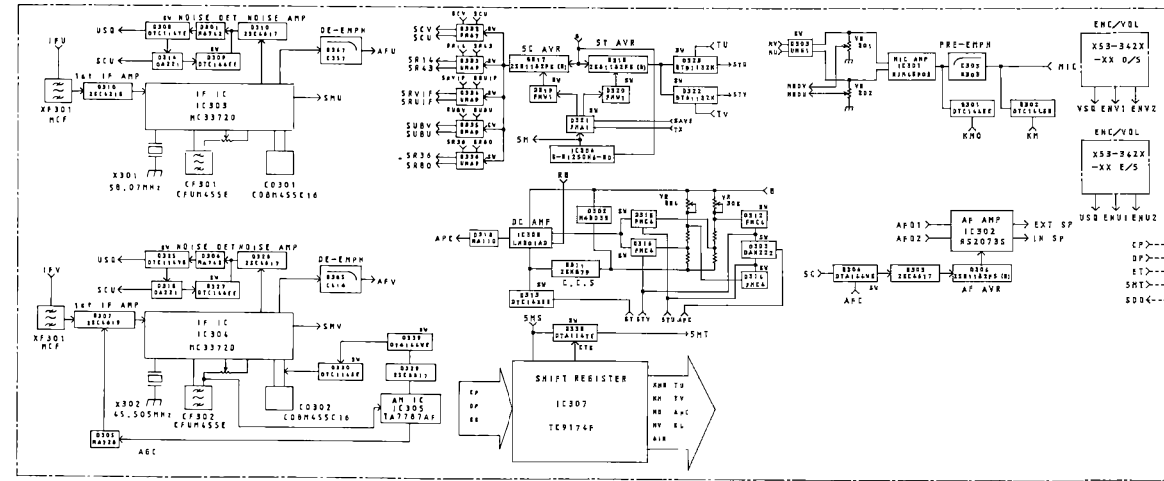
Note: Circuit is subject to change without notice due to advancements in technology.

TH-78A/E BLOCK DIAGRAM

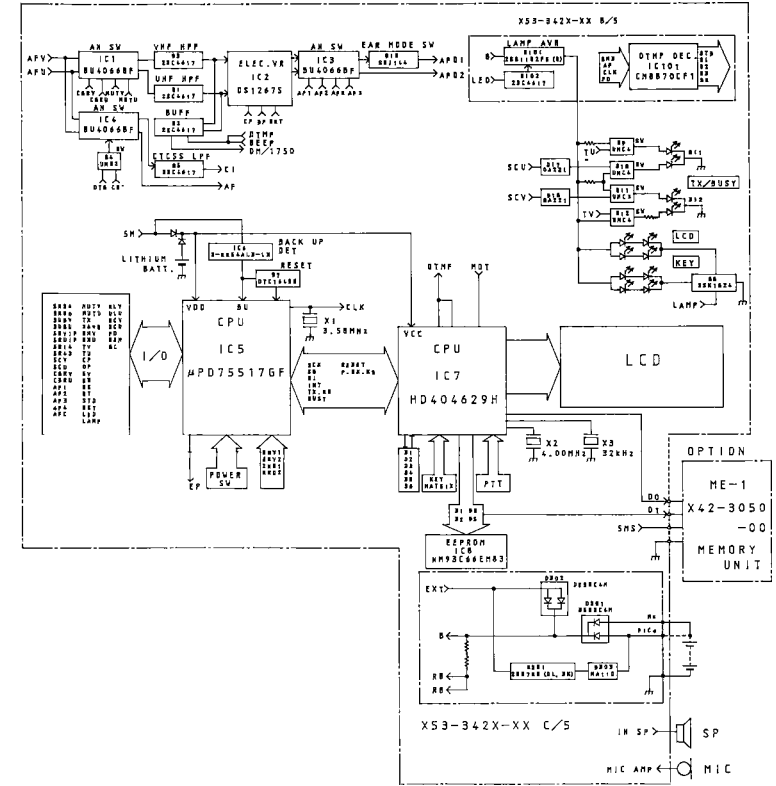
X57-409X-XX B/4



X57-409X-XX A/4



X53-342X-XX A/5



Note: Circuit is subject to change without notice due to advancements in technology.