

SL70 VHF



BAND CHANGE L, M, H REFERENCE VALUE CHIP CAP. ALL NPO TYPE

V.C.O.					RECEIVER										TRANSMITTER				
REF. NO	L302, 307	C311	R308	R310	T1, 2, 3, 4	T5, 6	C35	C36, 45	C37	C39, 41, 44	C40	C46	L6	L10	L11	C21	C23		
L : 136-150MHz	6.5T 3208401	33P	220	330	5.5T 3105715	5.5T 3105725	15P	1.5P	33P	15P	1P	20P	1.5T	4.5T	5.5T	33P	68P		
M : 146-162MHz	5.5T 3208391	33P	150	220	4.5T 3105704	5.5T 3105715	15P	1.5P	33P	15P	1P	20P	1.5T	4.5T	5.5T	33P	68P		
H : 160-174MHz	4.5T 3208599	39P	150	220	4.5T 3105704	5.5T 3105715	12P	1P	27P	13P	0.75P	18P	3/4T	3.5T	4.5T	24P	56P		

CHANNEL SPACING CHANGE S, M REFERENCE VALUE

S.O. BOARD																						
REF. NO	X1	XF1	CF1	C46	R33	R34	R104	R105	R106	R116	R119	R120	R121	R124	C118	C133, 5	C136, 7	R209	R207	R209	R210	C204
S : WIDE (25K)	10.240MHz	21M15BU	CFW455P	5P	820	3.3K	1K	33K	880	470K	39K	39K	100K	100	51P	0.015	0.033	220	18K	80K	5.6K	0.0047
T : TWENTY (20K)	10.240MHz	21M15BU	CFW455P	5P	820	3.3K	1K	33K	880	470K	47K	47K	220K	100	51P	0.015	0.033	220	18K	80K	3.6K	0.0047
N : NARROW (12.5K)	12.8MHz	21M08BU	CFW455HT	12P	330	1.5K	820	15K	470	100K	51K	68K	470K	10	47P	0.033	0.088	1K	10K	19K	0	0.01

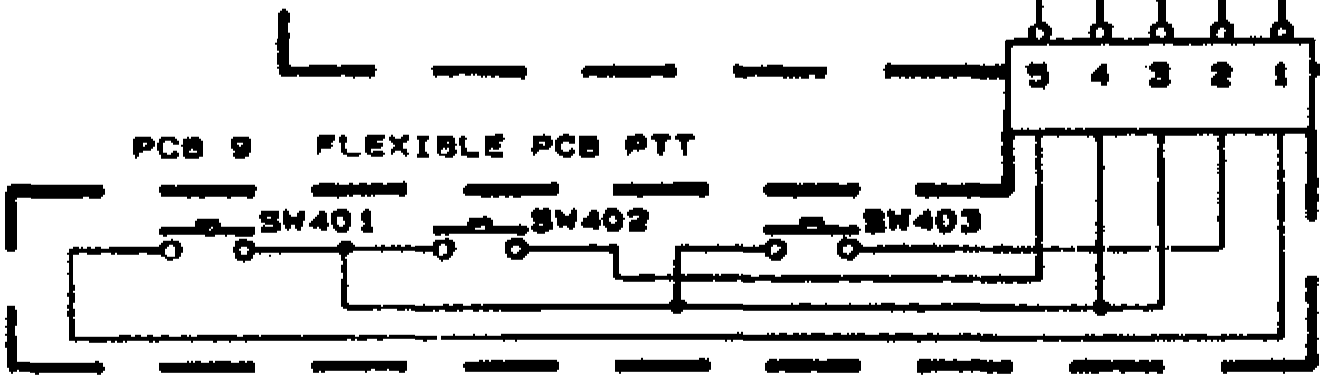
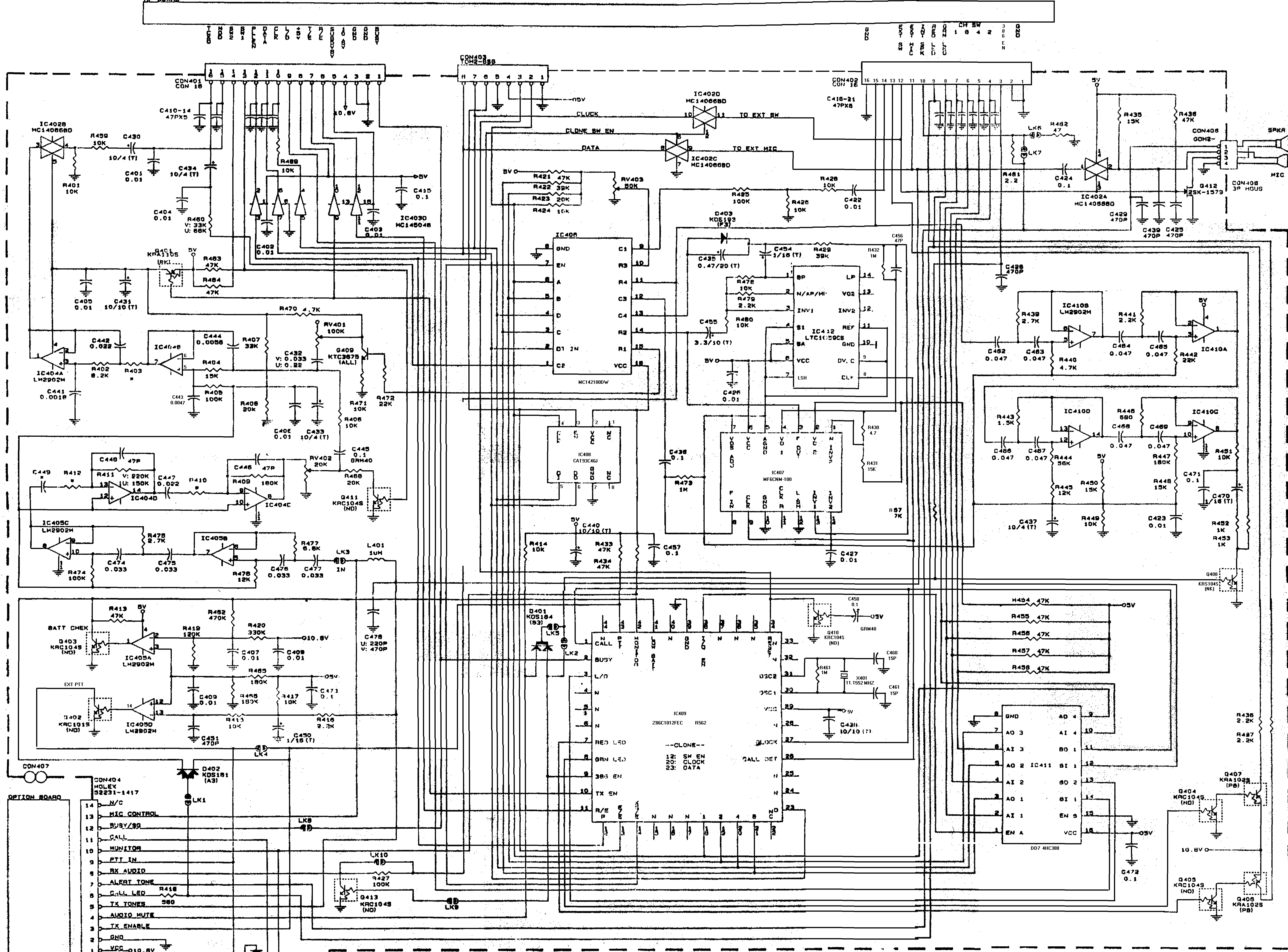
BUYER OPTION

REF. NO	BUYER	R99	R158
CT01 (USA)		3.9K	0
CT02 (UK)		NONE	100
CT03 (HK)		3.9K	100
CT09 (KOR)		6.8K	0
CT36 (SAP)		3.9K	100

OPTN.

REF. NO	CH OPTN	6SW2
18 CH	4300476	
10 CH	4300487	

RF BOARD



PTT OPTION

COUNTRY REF. NO.	CT01	CT02	CT03	CT05	CT35
SW3	NO	YES	NO	NO	NO

LINK TABLE

REF. NO. CONDITION	LK1	LK2	LK3	LK4	LK5	LK6	LK7	LK8	LK9	LK10
NORMAL	N/F	FIT	FIT	FIT	N/F	N/F	FIT	N/F	N/F	N/F
CA-1133	FIT	N/F	FIT	N/F	FIT	FIT	N/F	N/F	F1	N/F
10 BOARD	N/F	FIT	N/F	N/F	N/F	N/F	FIT	N/F	N/F	N/F

PRODUCT CONDITION
DOMESTIC POLICE

FINAL REFERENCE

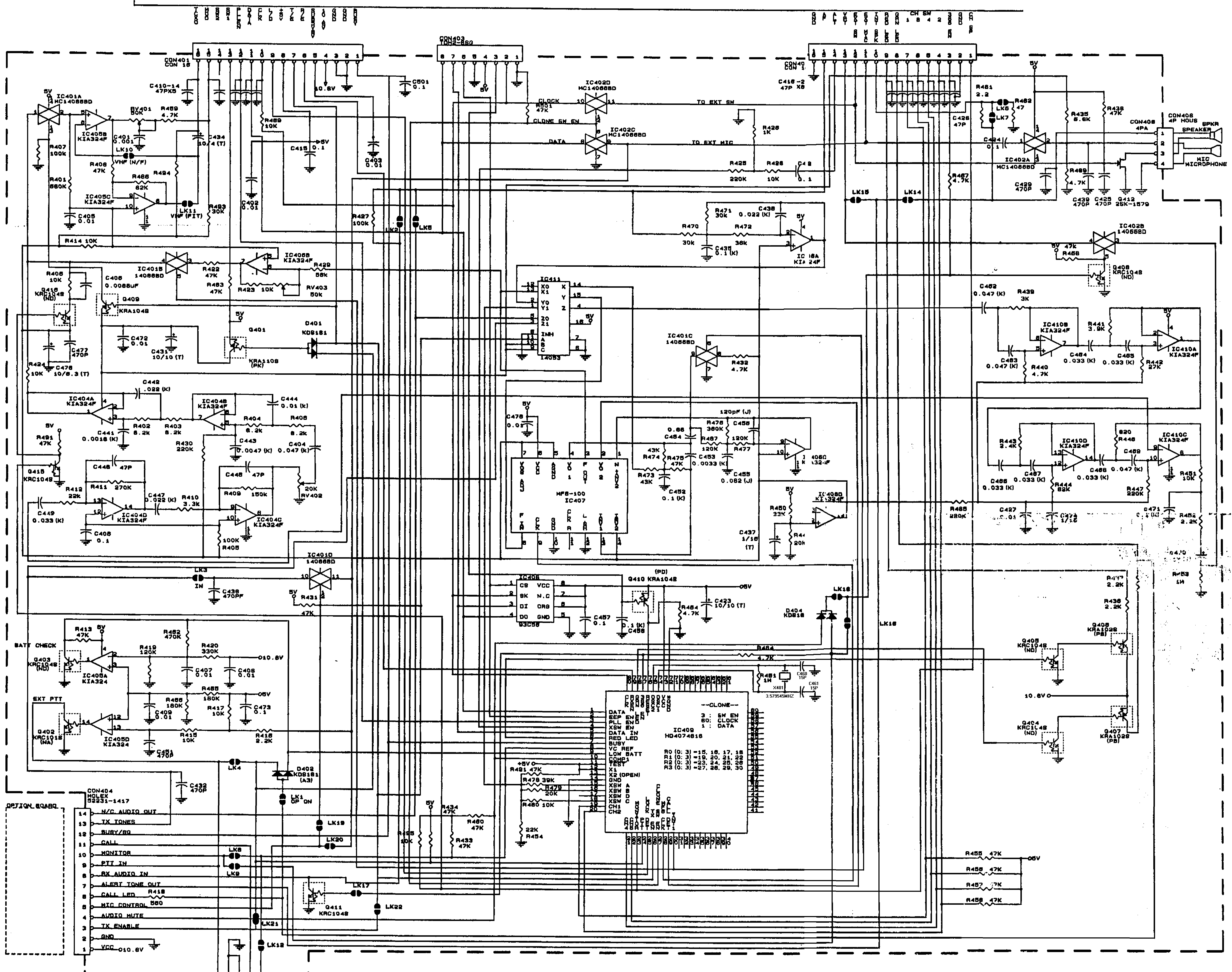
- RESISTOR (R) : R482
- CAPACITOR (C) : C477 (NO C452, 3 C459)
- TRANSISTOR (Q) : Q413
- VR (RV) : RV403
- IC (IC) : IC412
- CONNECTOR (CON) : CON 408

NETS VHF LINE VALUE CHANGE

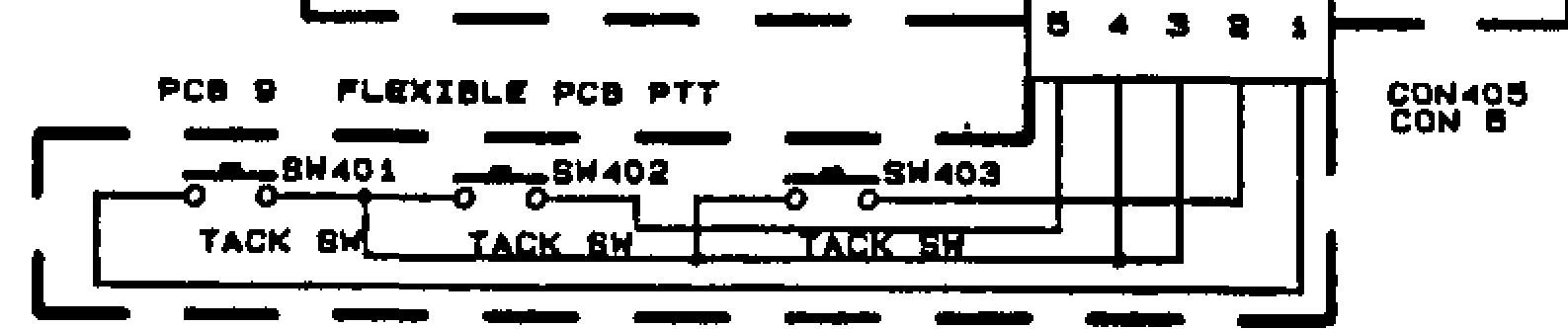
CONDITON	REF. NO.	R403	R410	R412	C449
SL-705 (V)	N	10K	2.7K	22K	0.033
	ST	5.8K	1.8K	27K	0.033
	N	5.2K	2.7K	15K	0.022
SL-705 (U)	S	5.8K	2.2K	15K	0.022

COMMON MODEL

- SL-70S (V) (6162)
- SL-70V (SH) (6163)
- DSP-0410B (6926)
- DSP-0420B (6927)
- SL-70S (U) (6476)



6792DCUK .SCH



PTT OPTION

COUNTRY REF. NO	CT01	CT02	CT03	CT09	CT36
SW3	NO	YES	NO	NO	NO

LINK OPTION

REP. NO	LK1	LK2	LK3	LK4	LK5	LK6	LK7	LK8	LK9	LK10	LK11	LK12	LK14	LK15	LK16	LK17	LK18	LK19	LK20	LK21	LK22
CONDITION	N/F	FIT	FIT	FIT	FIT	N/F	N/F	N/F	N/F	N/F	FIT	FIT	N/F	N/F	FIT	N/F	N/F	N/F	FIT	FIT	N/F
CA120	N/F	N/F	N/F	FIT	FIT	N/F	N/F	N/F	N/F	N/F	FIT	FIT	N/F	N/F	FIT	N/F	N/F	N/F	FIT	FIT	N/F
CA1030	N/F	N/F	N/F	N/F	FIT	N/F	N/F	N/F	N/F	N/F	FIT	FIT	N/F	N/F	FIT	N/F	N/F	N/F	FIT	FIT	N/F
SA1378	N/F	FIT	N/F	FIT	FIT	N/F	N/F	N/F	N/F	N/F	FIT	FIT	FIT	N/F	FIT	N/F	N/F	N/F	FIT	N/F	FIT