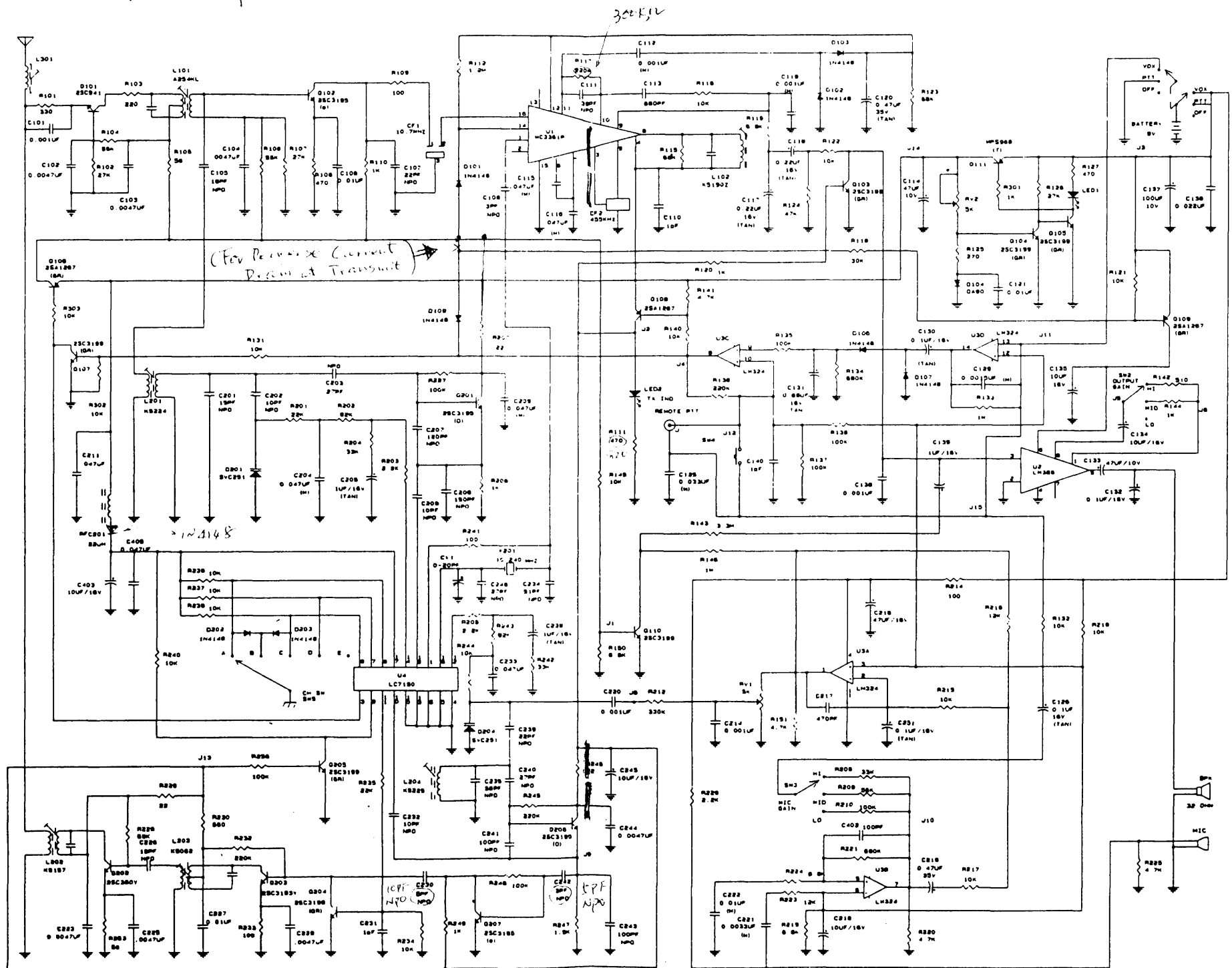


Title		
W108 BLOCK DIAGRAM		
Size	Document Number	REV
B		A
Date:	March 11, 1990	Sheet of

SCHEMATIC (After modification)

W108



18 Jan, 96