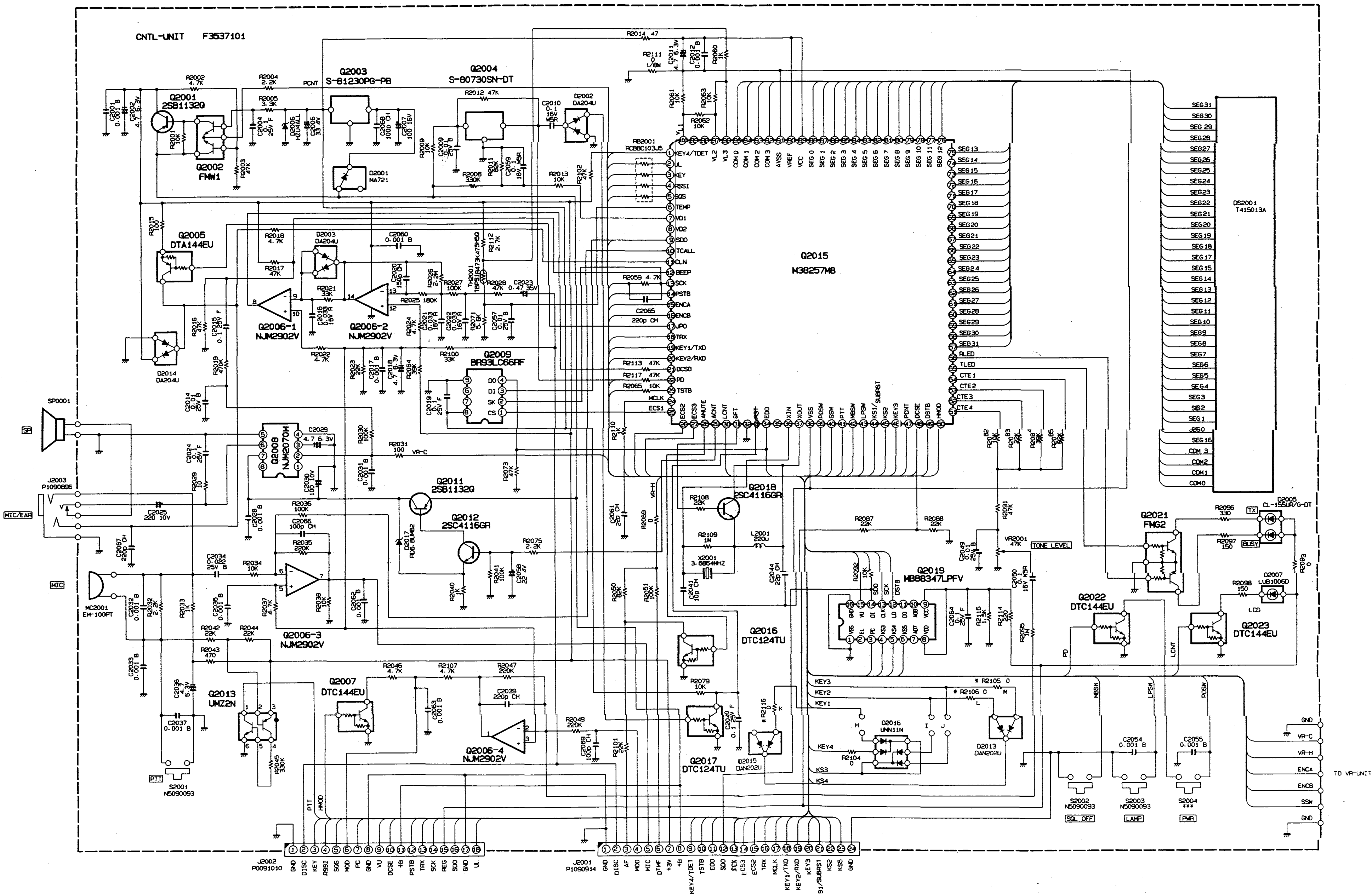


FT-10R Circuit Diagram



CNTL-UNIT F3537101

Q2015
M38257MB

D2001
T415013A

TO VR-UNIT

RF UNIT F3539101

VCO SHIELD CASE

NOTE:
RESISTOR VALUES ARE IN OHMS UNLESS OTHERWISE NOTED.
CAPACITOR VALUES ARE IN P.F. UNLESS OTHERWISE NOTED.
INDUCTOR VALUES ARE IN HENRYS UNLESS OTHERWISE NOTED.

