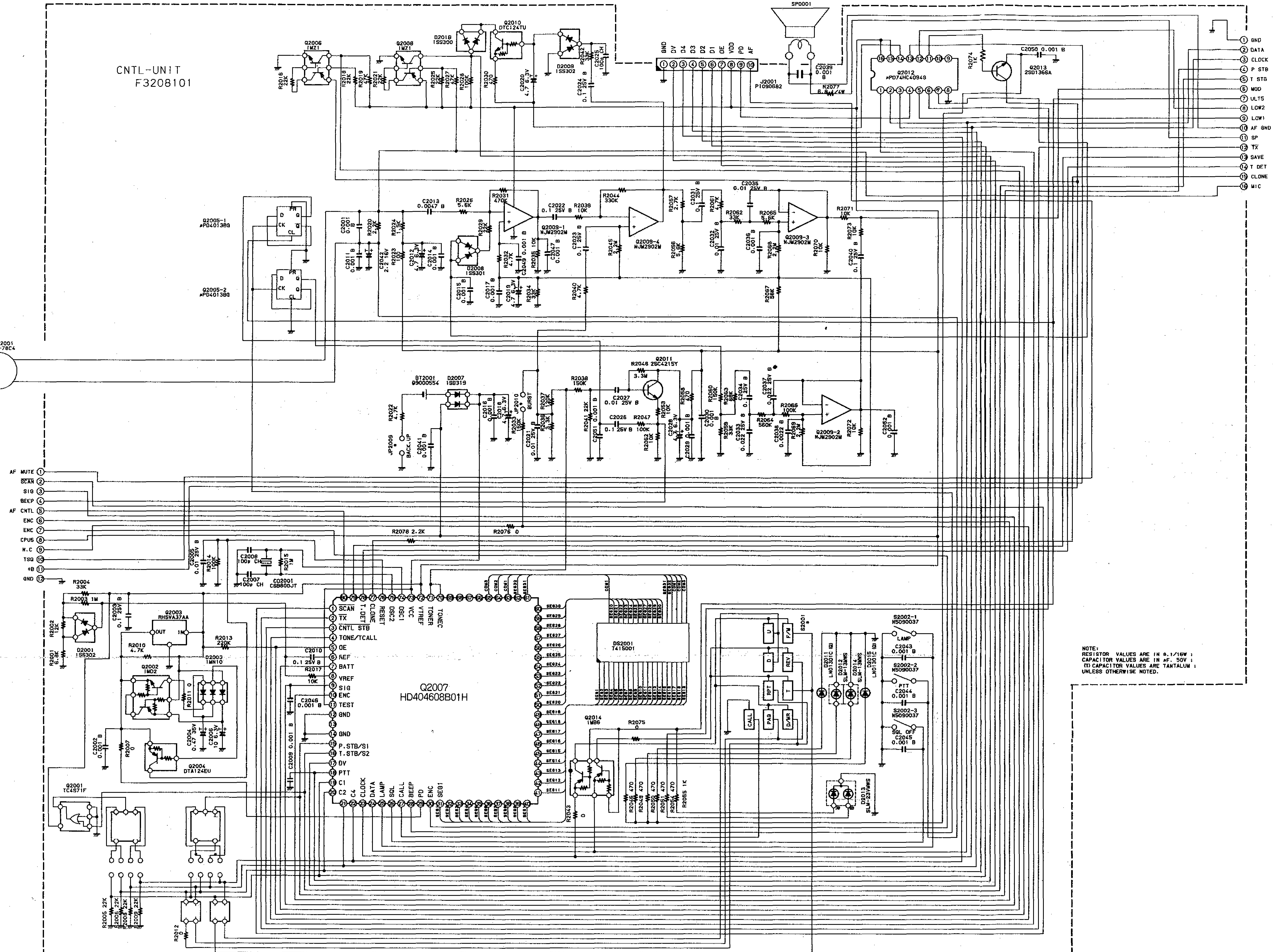


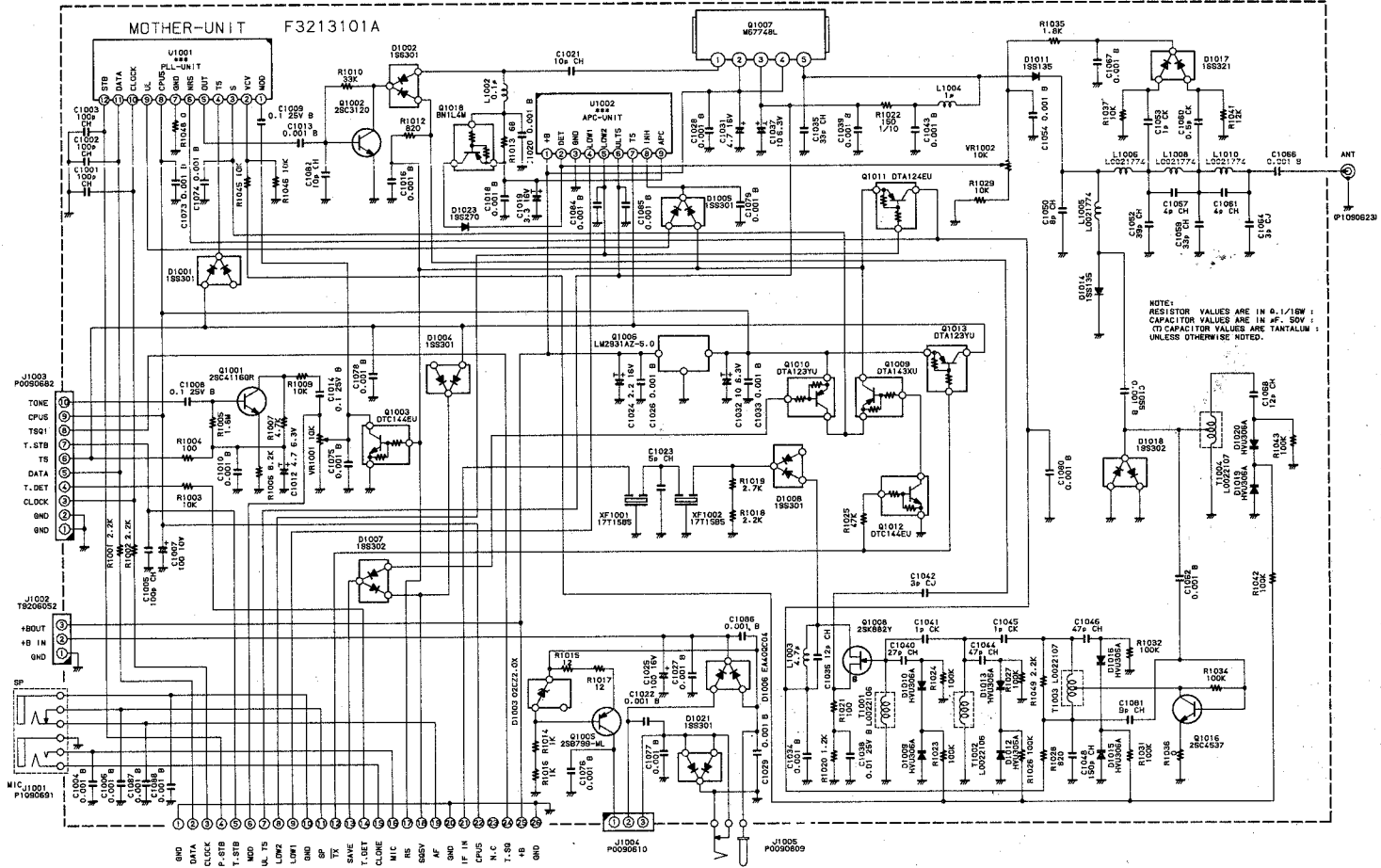
CNTL-UNIT
F3208101



- 1 GND
- 2 DATA
- 3 CLOCK
- 4 P STB
- 5 T STB
- 6 MOD
- 7 ULTS
- 8 LGW2
- 9 LGW1
- 10 AF GND
- 11 SP
- 12 TX
- 13 SAVE
- 14 T DET
- 15 CLONE
- 16 MIC

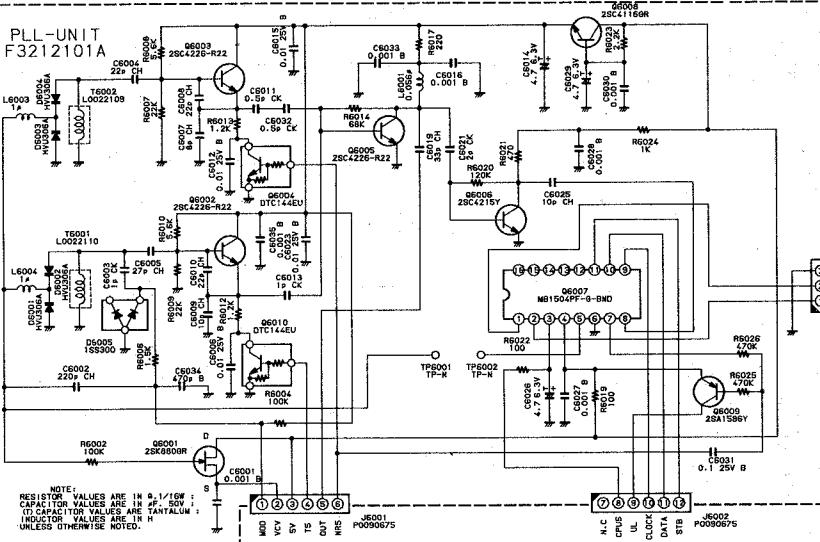
NOTE:
RESISTOR VALUES ARE IN Ω, 1/16W ;
CAPACITOR VALUES ARE IN μF, 50V ;
T) CAPACITOR VALUES ARE TANTALUM ;
UNLESS OTHERWISE NOTED.

MOTHER-UNIT F3213101A



NOTE:
RESISTOR VALUES ARE IN Ω / 10ⁿ
CAPACITOR VALUES ARE IN μF / 50V
(T) CAPACITOR VALUES ARE TANTALUM
UNLESS OTHERWISE NOTED.

PLL-UNIT
F3212101A



APC-UNIT F3212102A

