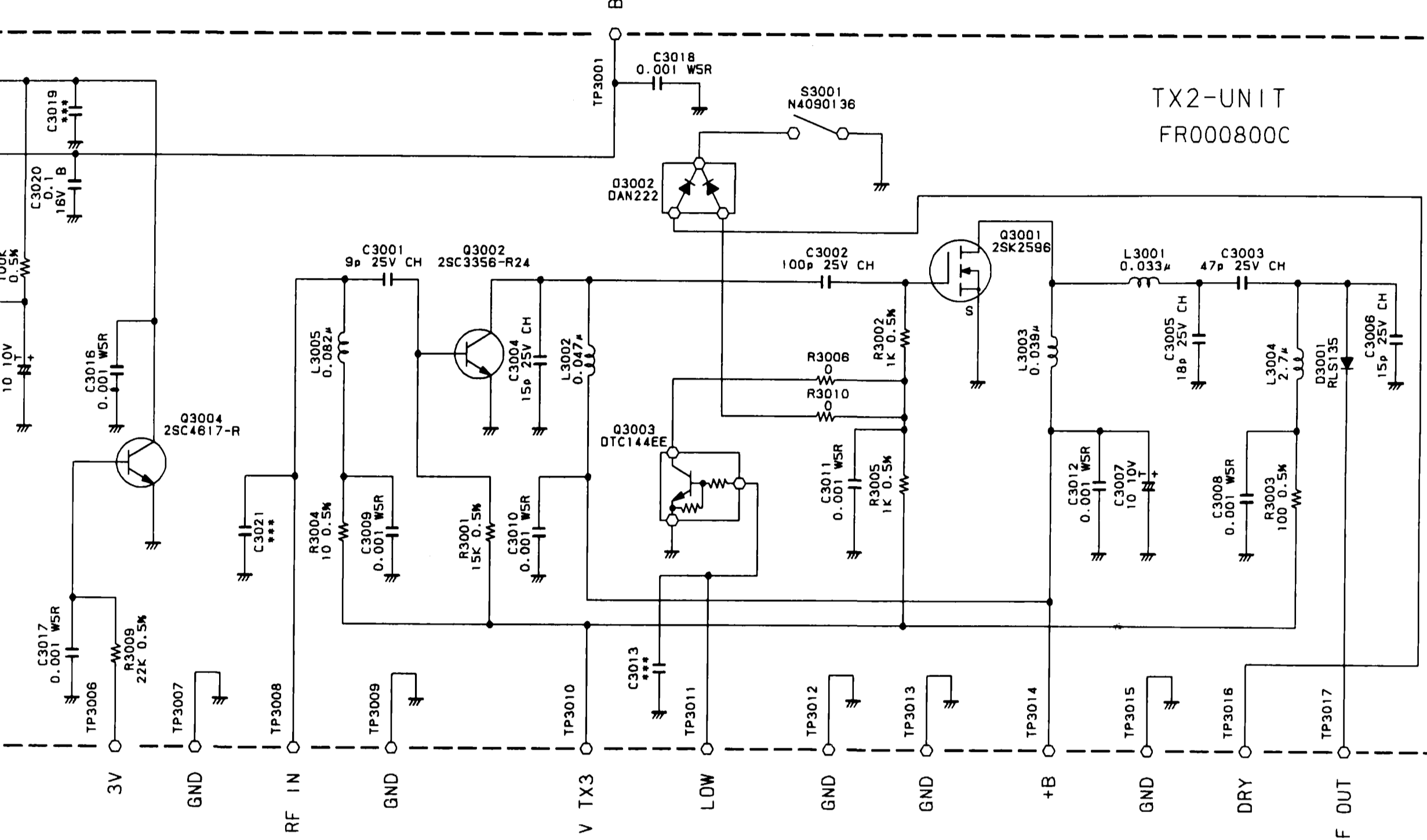
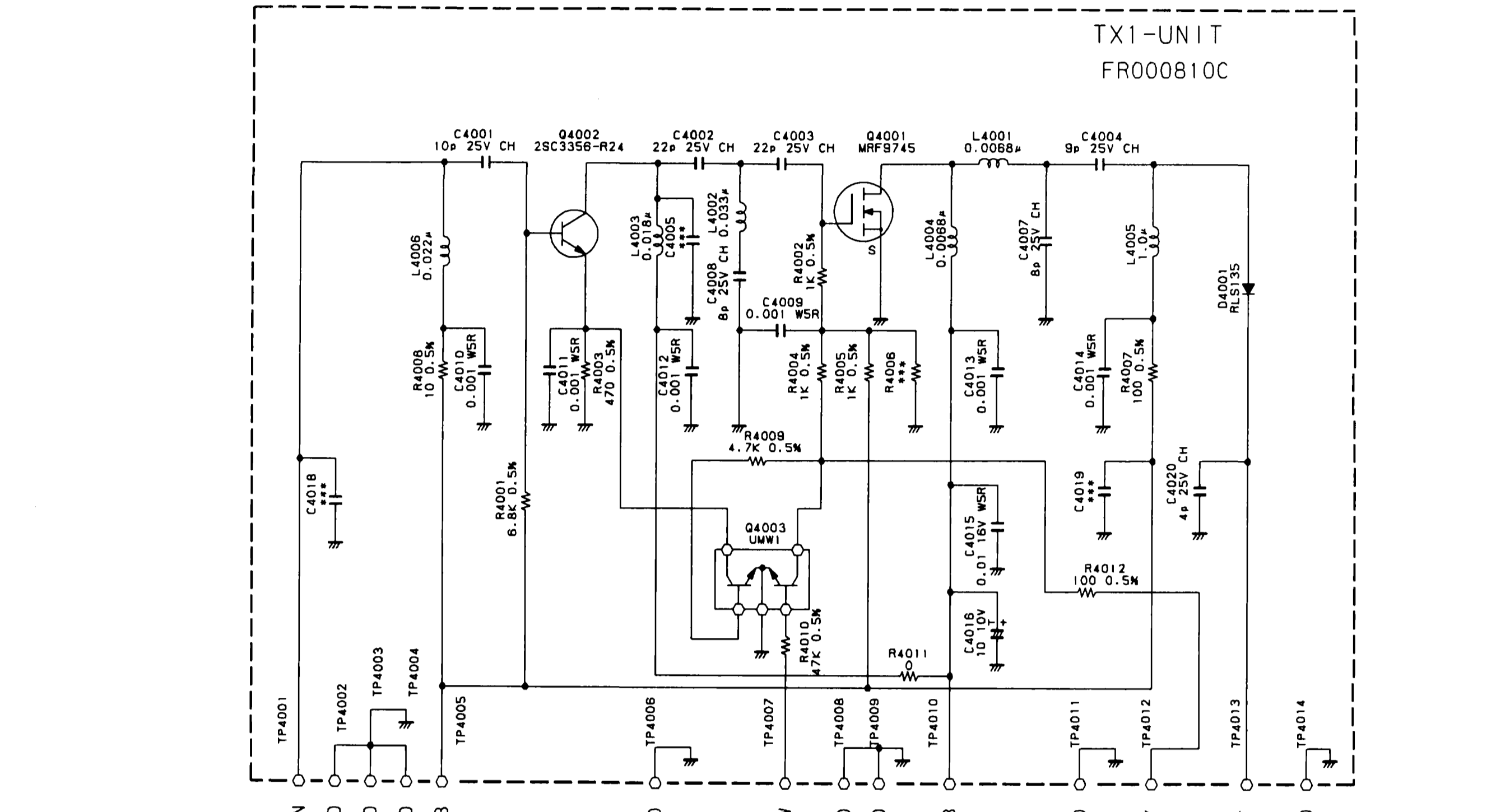


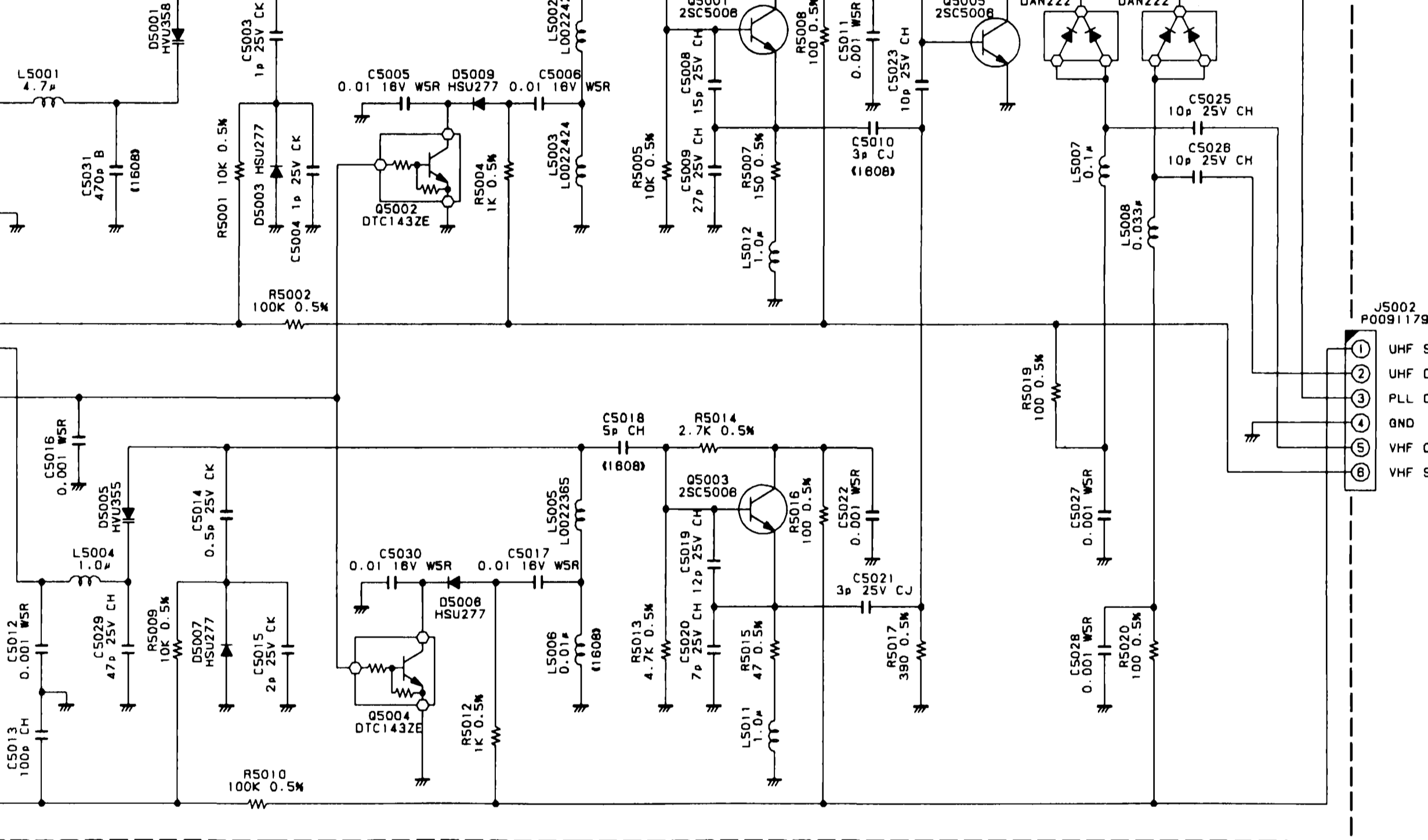
VX-1R Circuit Diagram



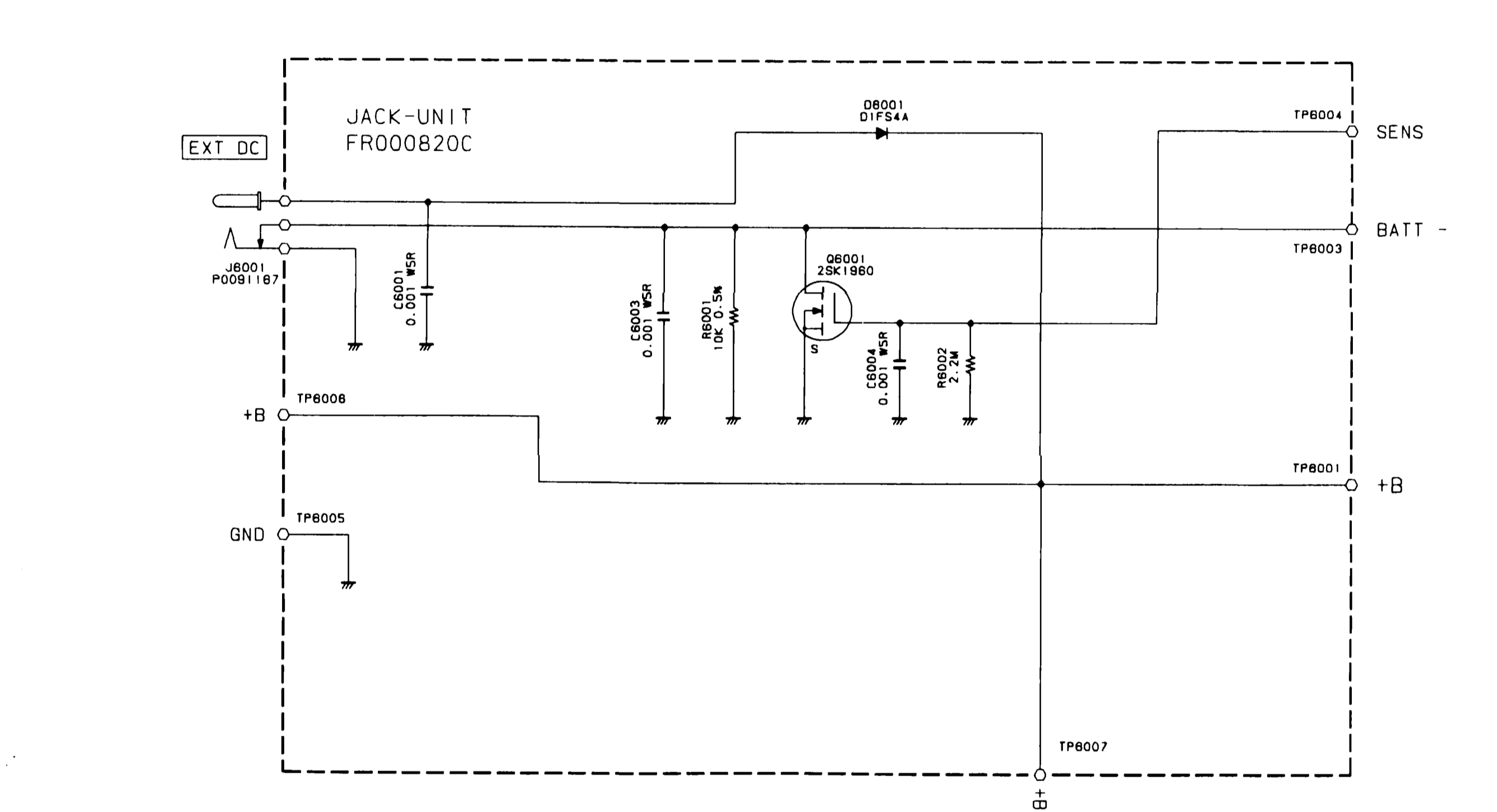
NOTE: RESISTOR VALUES ARE IN OHMS UNLESS OTHERWISE NOTED. CAPACITOR VALUES ARE IN P.F. UNLESS OTHERWISE NOTED.



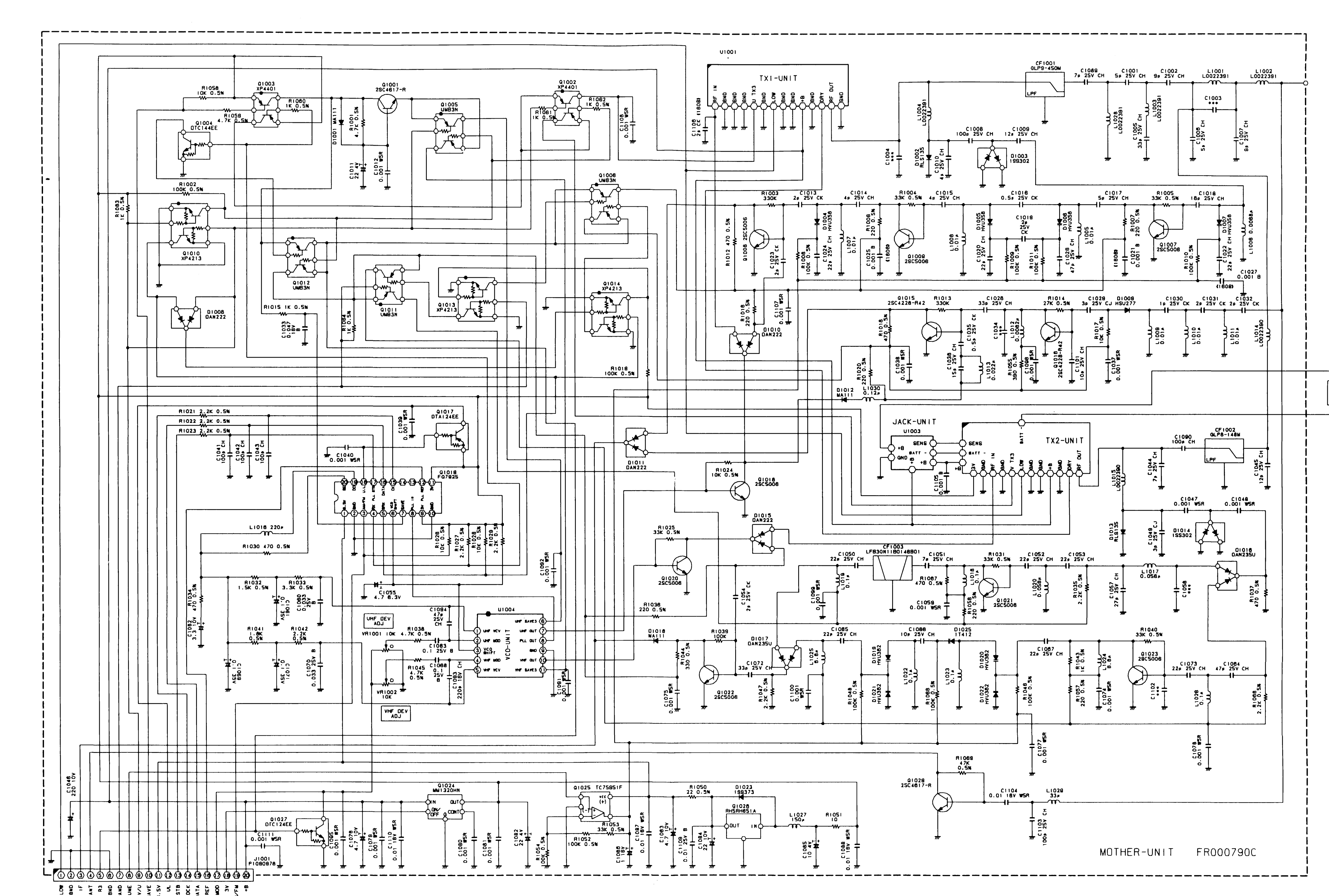
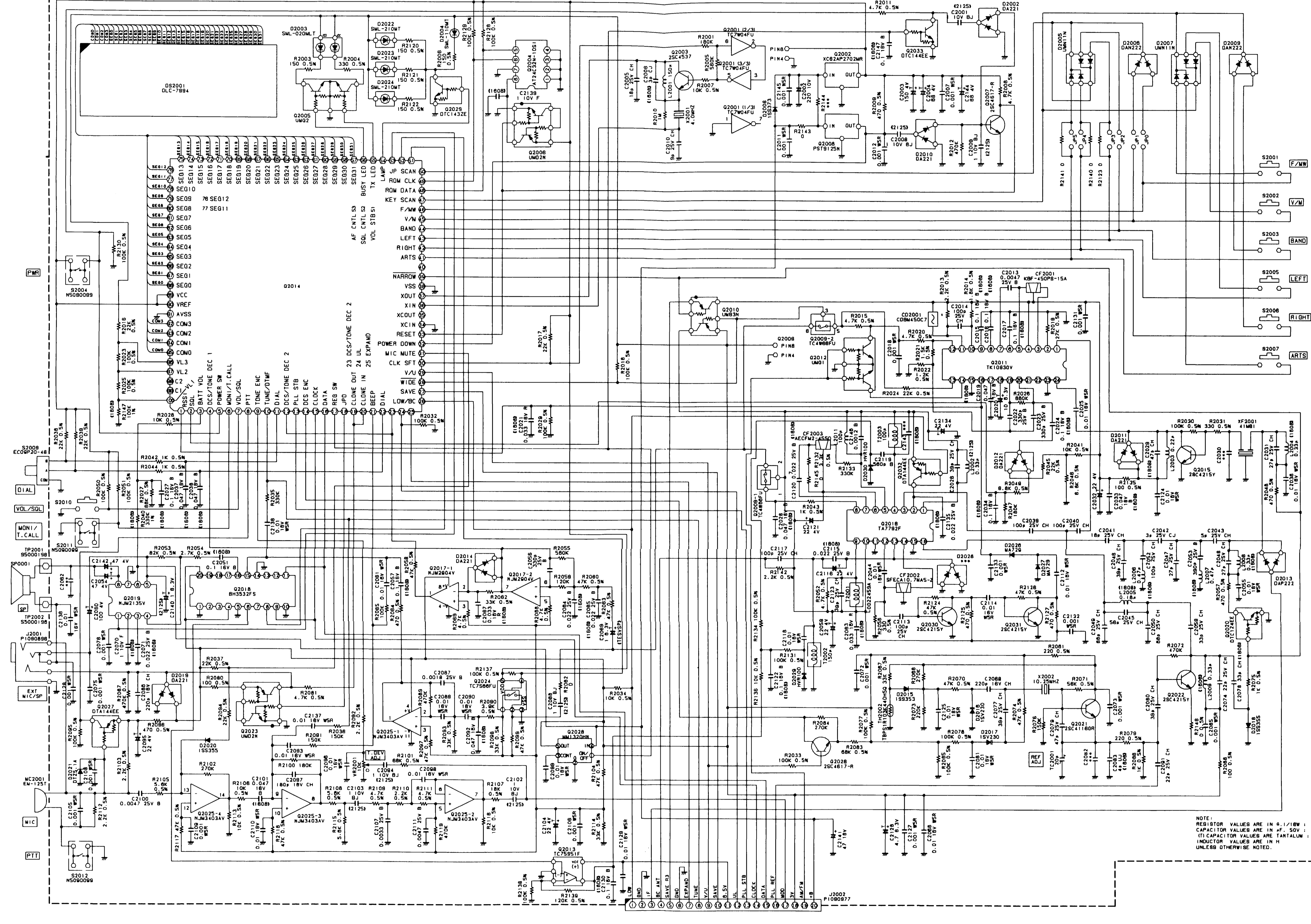
NOTE: RESISTOR VALUES ARE IN OHMS UNLESS OTHERWISE NOTED. CAPACITOR VALUES ARE IN P.F. UNLESS OTHERWISE NOTED.



NOTE: RESISTOR VALUES ARE IN OHMS UNLESS OTHERWISE NOTED. CAPACITOR VALUES ARE IN P.F. UNLESS OTHERWISE NOTED.



NOTE: RESISTOR VALUES ARE IN OHMS UNLESS OTHERWISE NOTED. CAPACITOR VALUES ARE IN P.F. UNLESS OTHERWISE NOTED.



NOTE: RESISTOR VALUES ARE IN OHMS UNLESS OTHERWISE NOTED. CAPACITOR VALUES ARE IN P.F. UNLESS OTHERWISE NOTED.