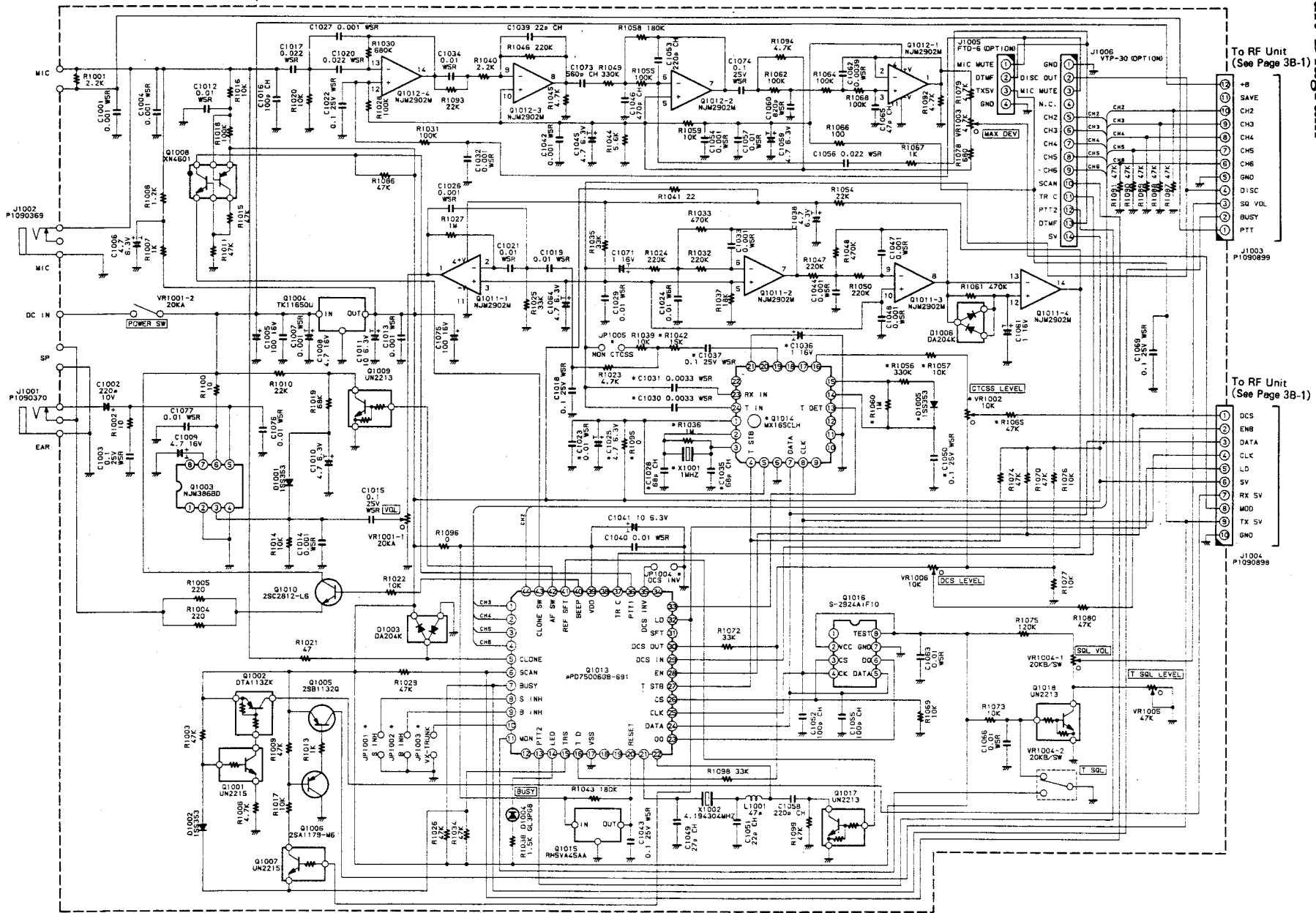


Circuit Diagram

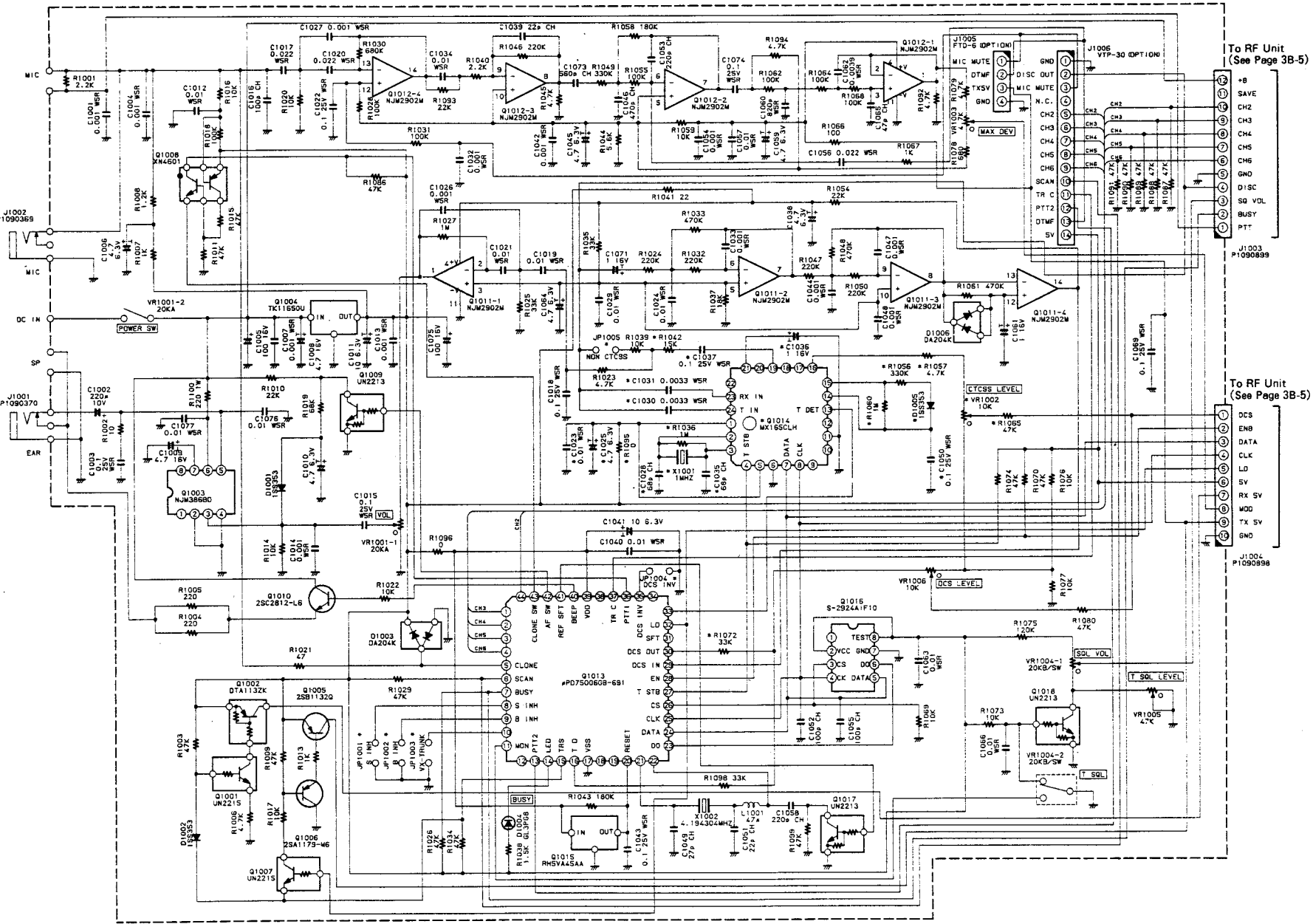


To RF Unit
(See Page 3B-1)

To RF Unit
(See Page 3B-1)

To RF Unit
(See Page 3B-1)

Circuit Diagram

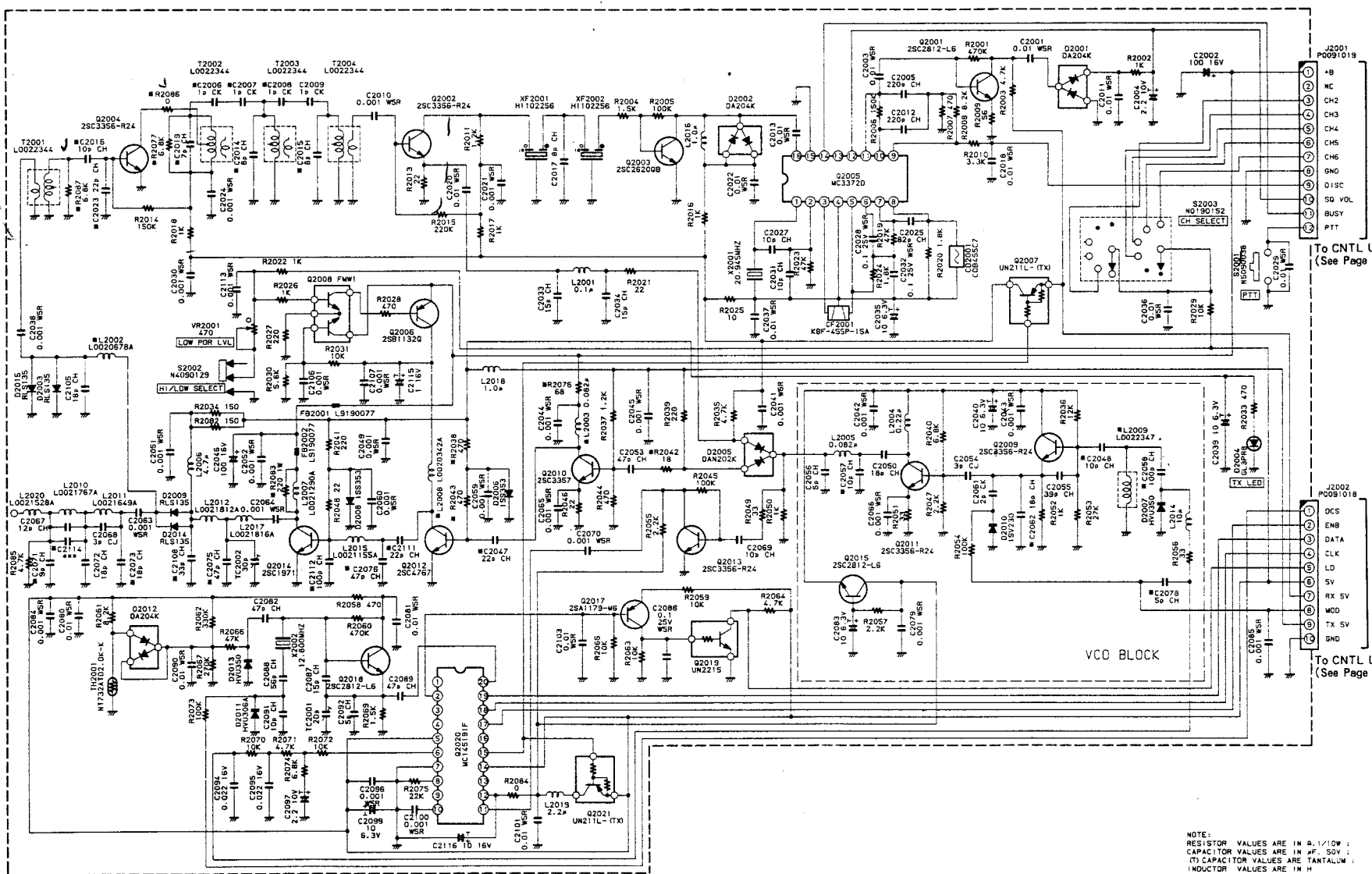


To RF Unit (See Page 3B-5)

To RF Unit (See Page 3B-5)

To RF Unit (See Page 3B-5)

Circuit Diagram



- ① +B
- ② -B
- ③ CH2
- ④ CH3
- ⑤ CH4
- ⑥ CH5
- ⑦ CH6
- ⑧ GND
- ⑨ DISC
- ⑩ SB VOL
- ⑪ BUSY
- ⑫ PTT

To CNTL Unit (See Page 3A-5)

- ① DCS
- ② ENB
- ③ DATA
- ④ CLK
- ⑤ L0
- ⑥ SV
- ⑦ RX SV
- ⑧ MOD
- ⑨ TX SV
- ⑩ GND

To CNTL Unit (See Page 3A-5)

NOTE:
 RESISTOR VALUES ARE IN Ω, 1/10Ω ;
 CAPACITOR VALUES ARE IN μF, 50V ;
 (C) CAPACITOR VALUES ARE TANTALUM ;
 INDUCTOR VALUES ARE IN mH
 UNLESS OTHERWISE NOTED.