

OSZ/MIX/IF

IF/DEM

IC3 TDA1574T

IC152 TDA1596

AUFRAUSCHEN BEGRENZUNGS-EINSATZ

IC14 RC45

MULTIF

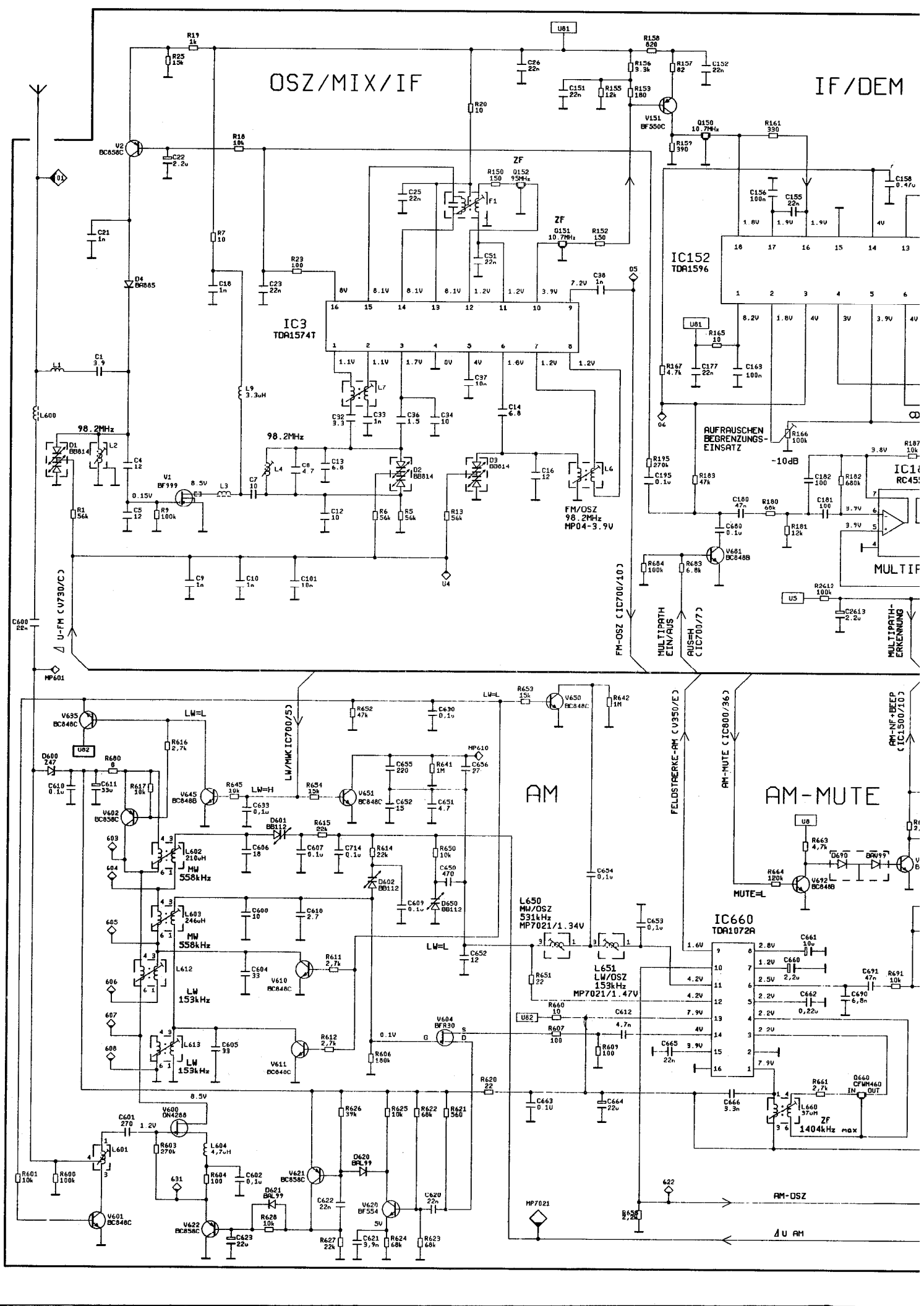
AM

AM-MUTE

IC660 TDA1072A

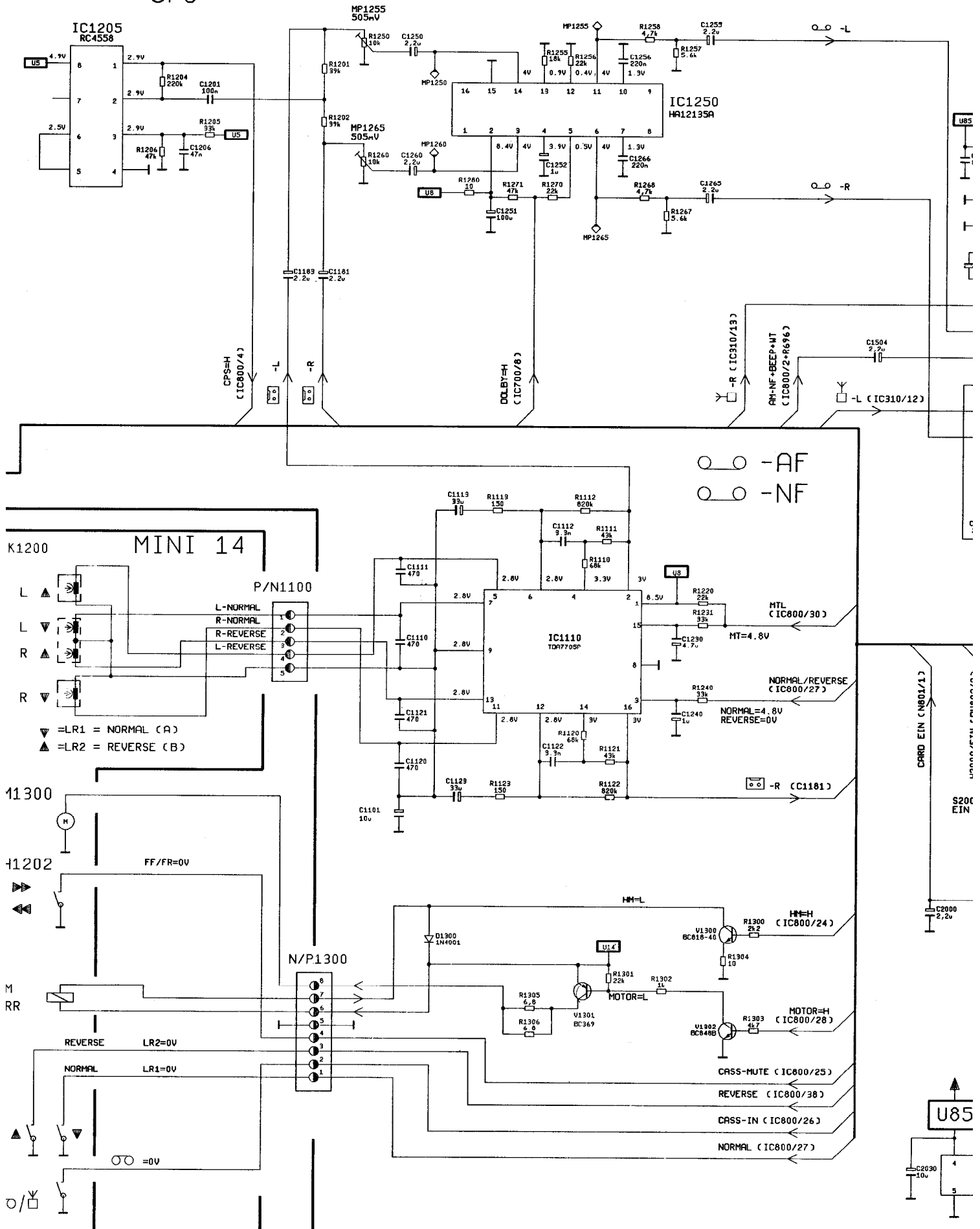
AM-OSZ

Δ U AM



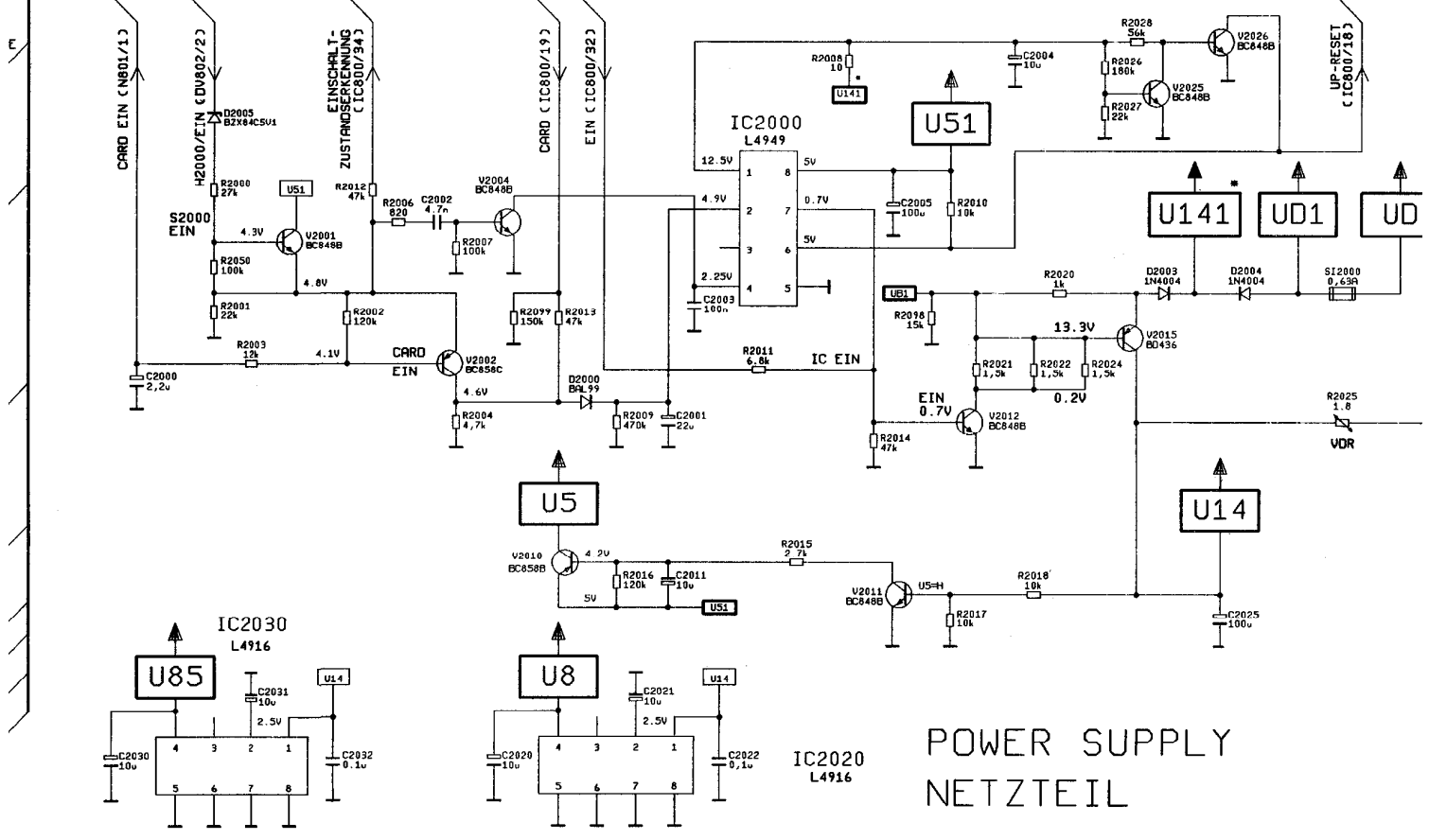
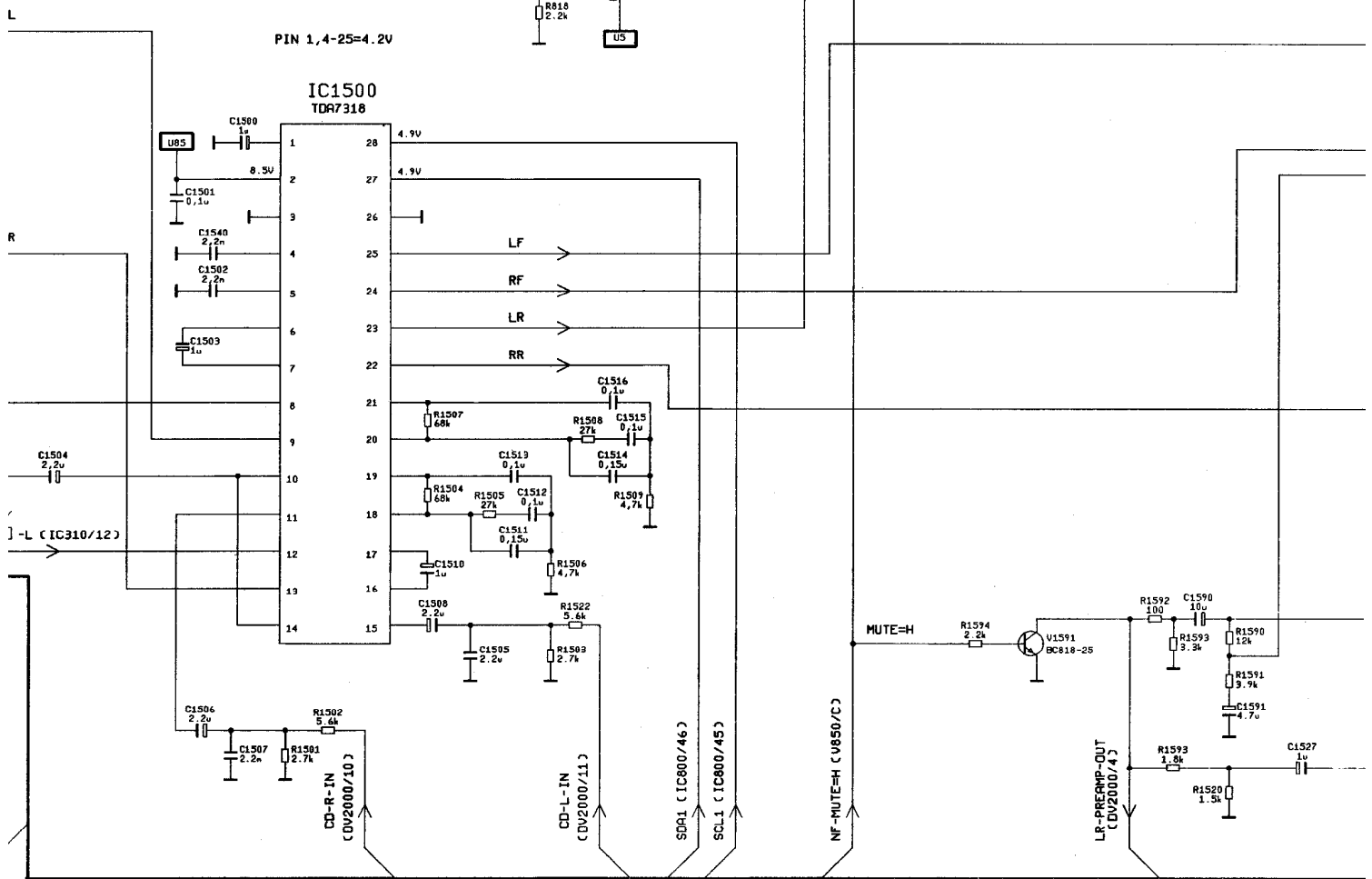
CPS

DOLBY

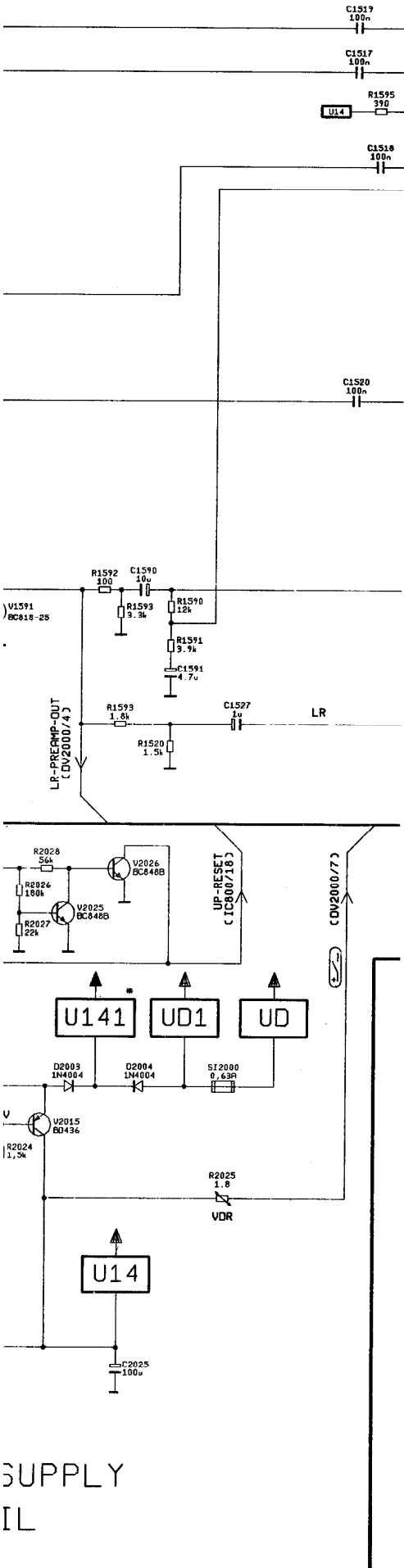


SOUND-SETTING NF-STELLER

NF-STUMM NF-STUMM

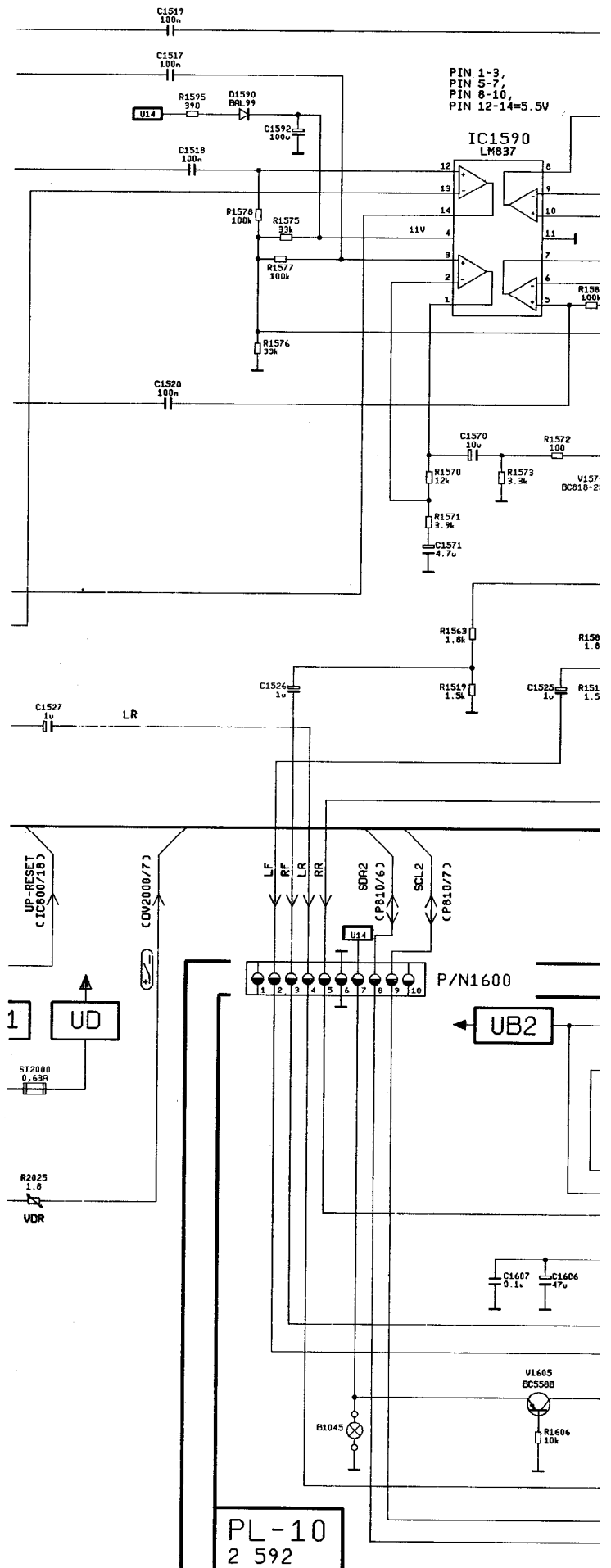


-STUMM
-STUMM



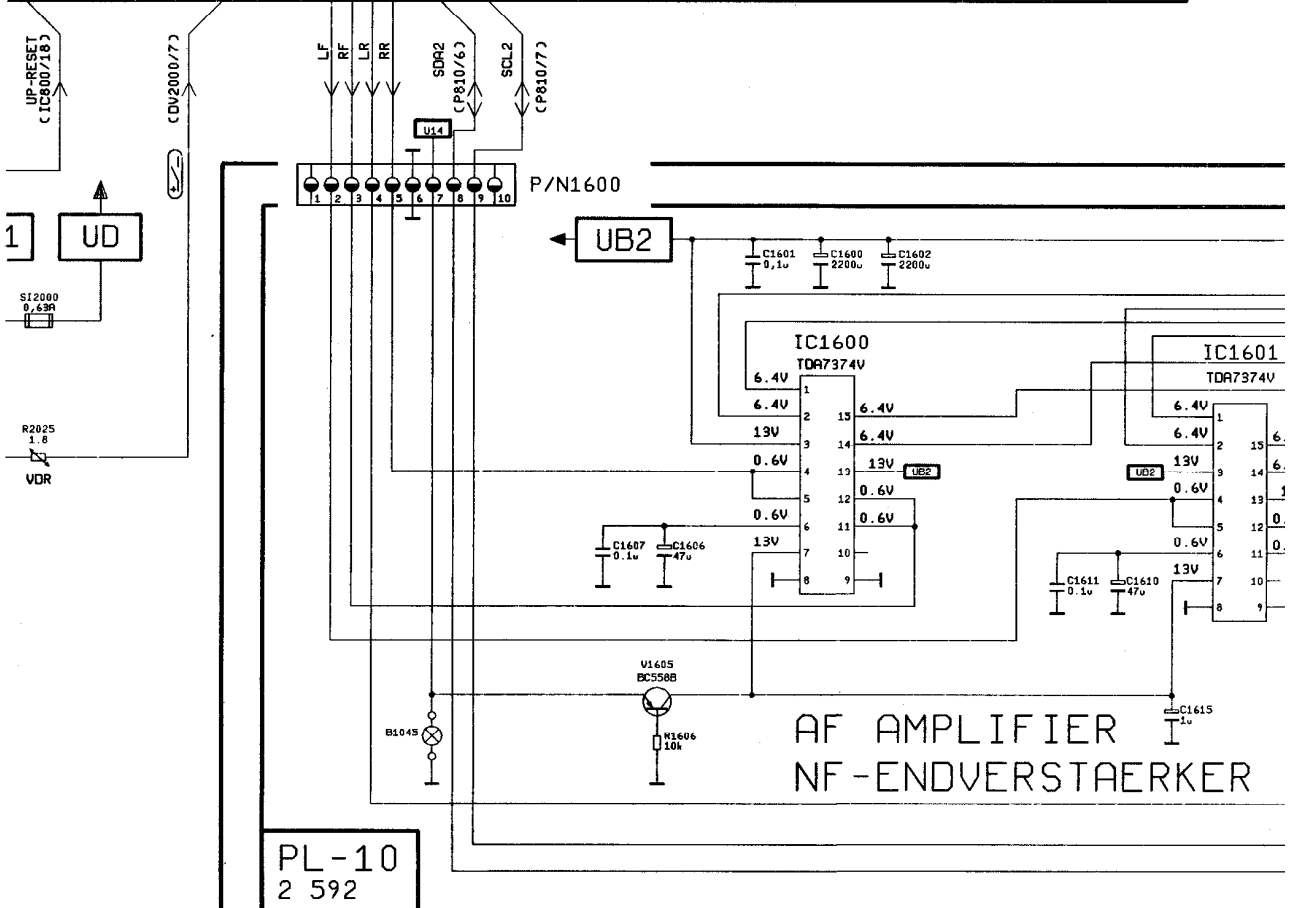
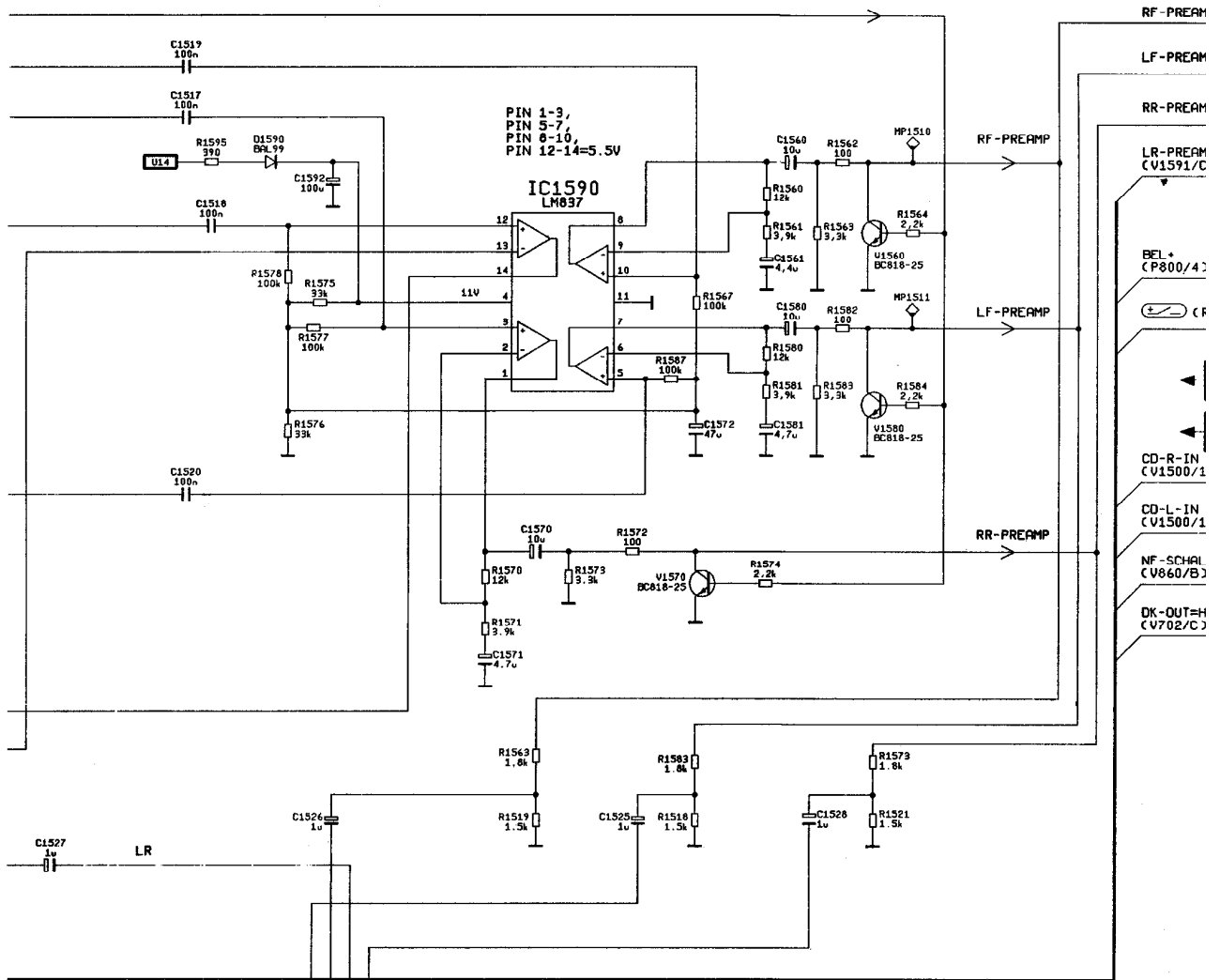
SUPPLY
IL

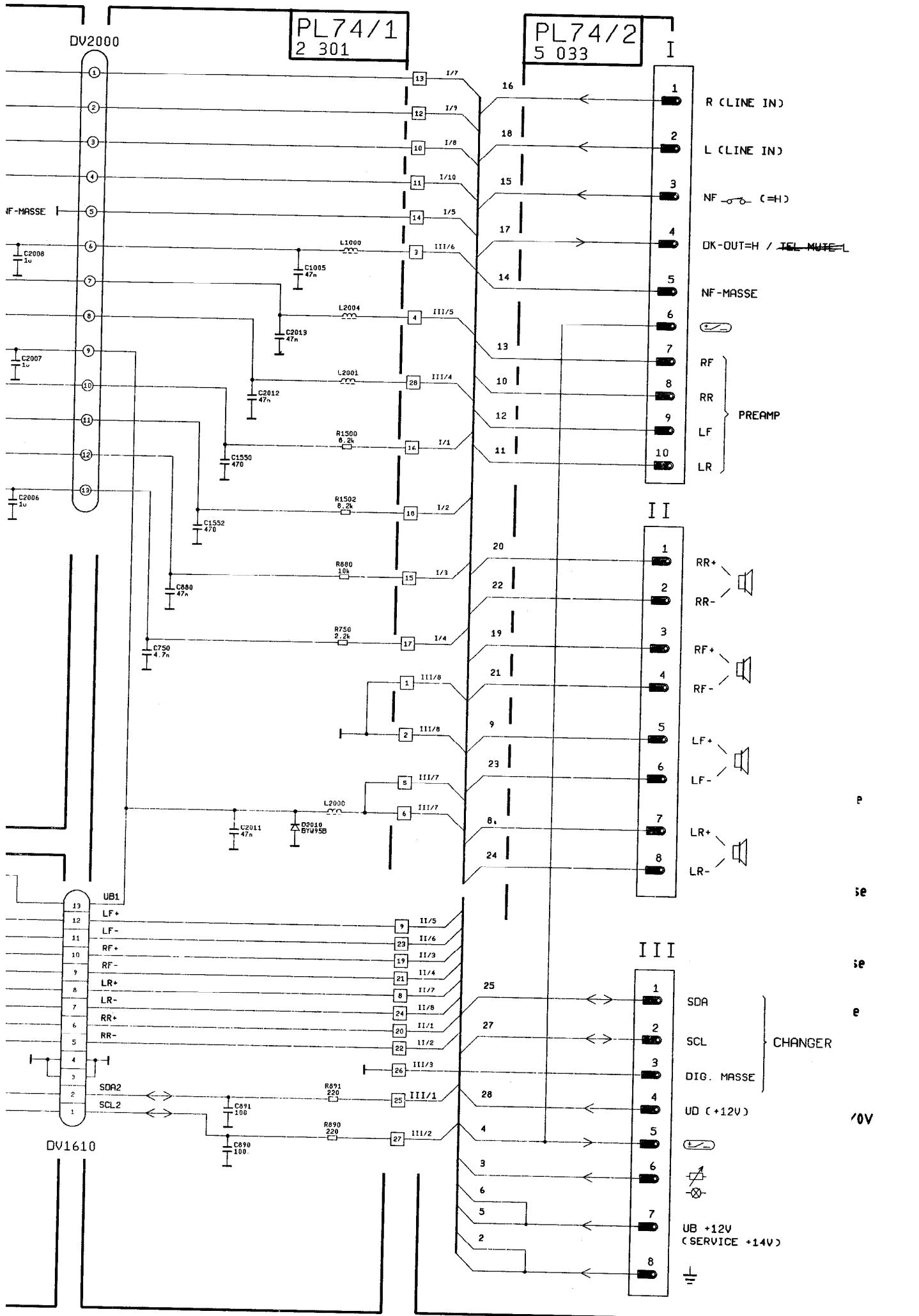
PREAMP



PL-10
2 592

PREAMP





PL74/1
2 301

PL74/2
5 033

DV2000

II

III

R (LINE IN)

L (LINE IN)

NF (H)

DK-OUT=H / TEL MUTE=L

NF-MASSE

RF

RR

LF

LR

RR+

RR-

RF+

RF-

LF+

LF-

LR+

LR-

SDA

SCL

DIG. MASSE

UD (+12V)

UB +12V (SERVICE +14V)

CHANGER

e
se
se
e
/0V

IF-MASSE

UB1

DV1610

SDA2

SCL2

UB +12V (SERVICE +14V)