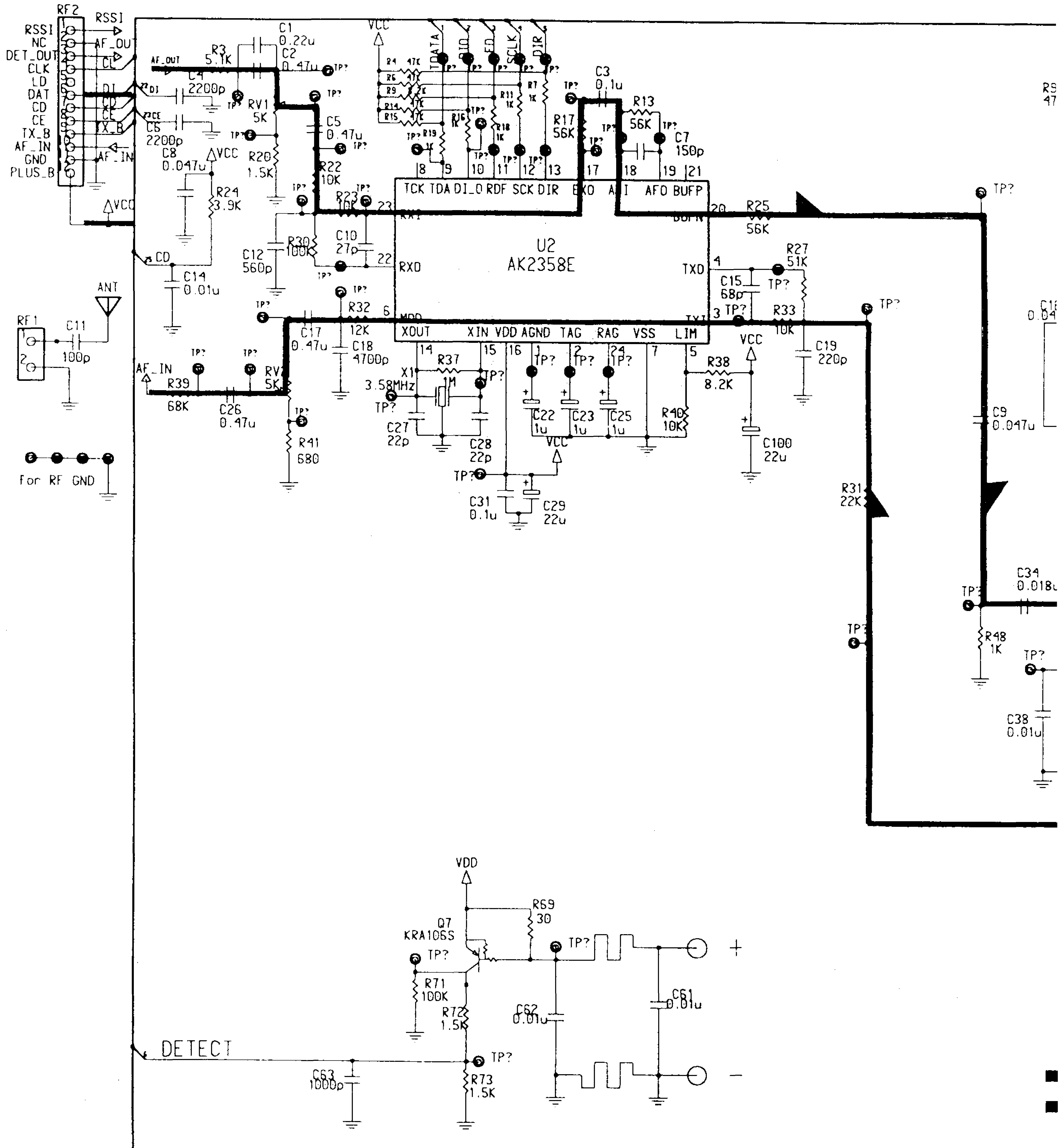
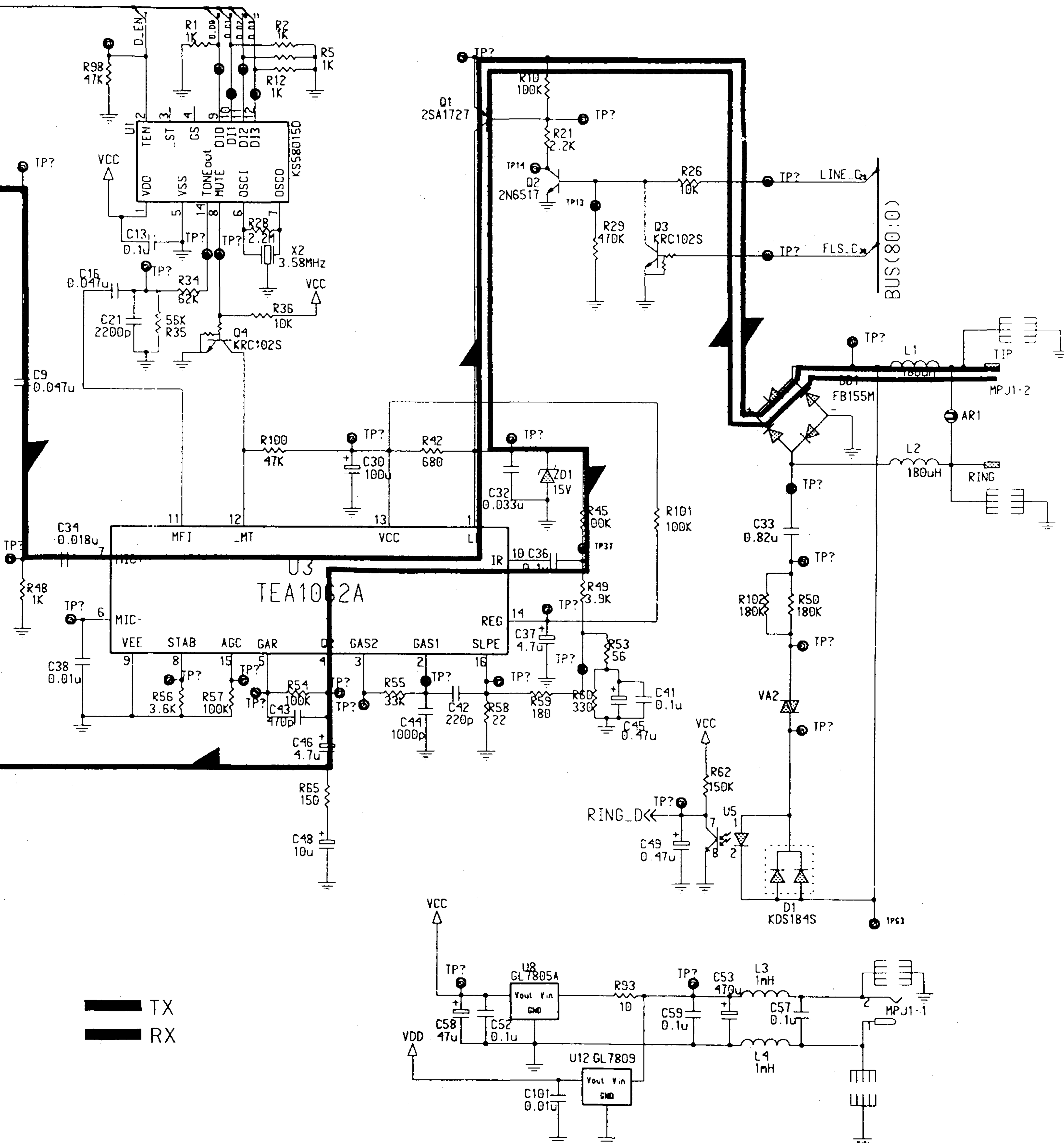


Circuit Diagram

1) Signal Flow

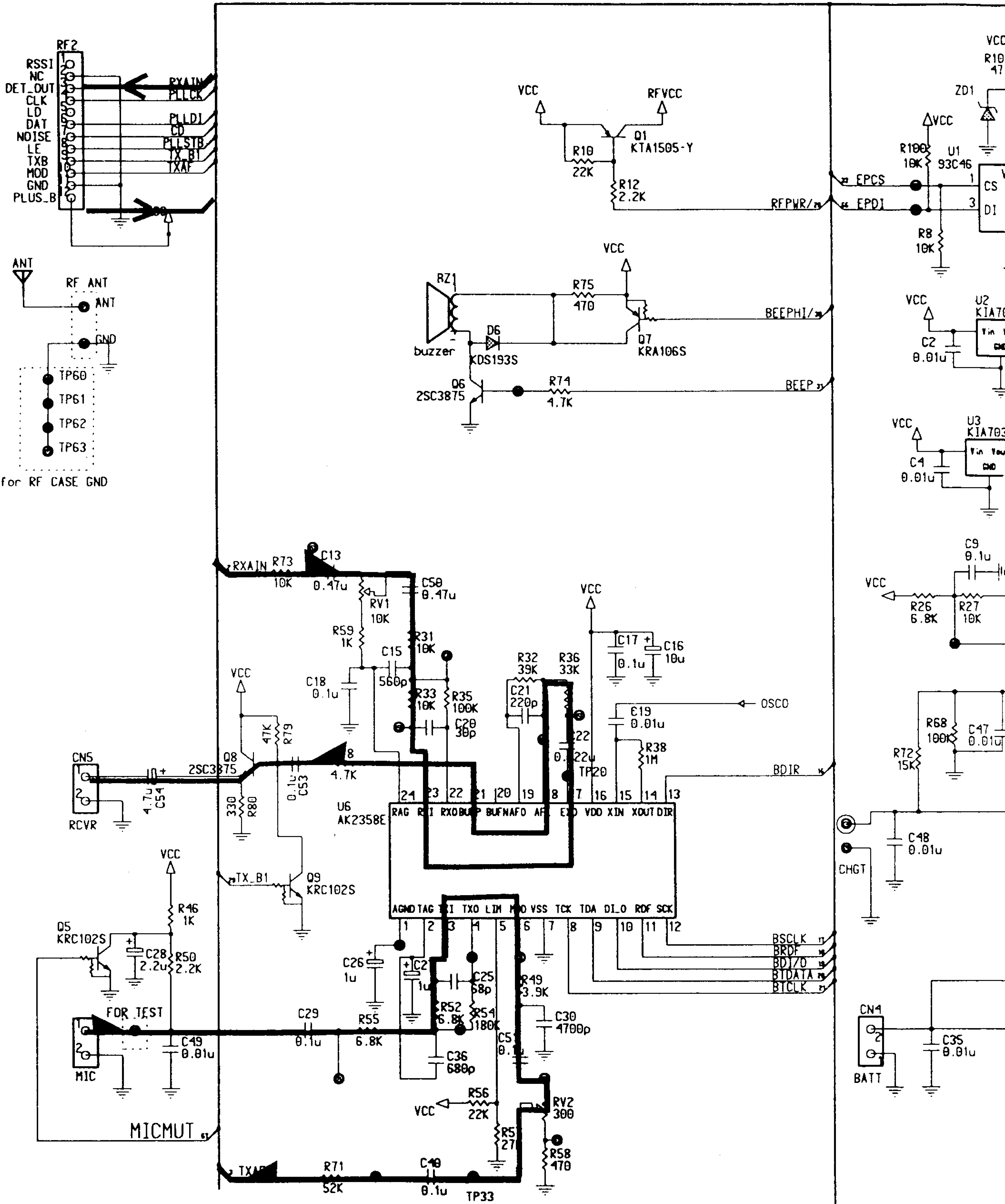
⟨Main Part⟩

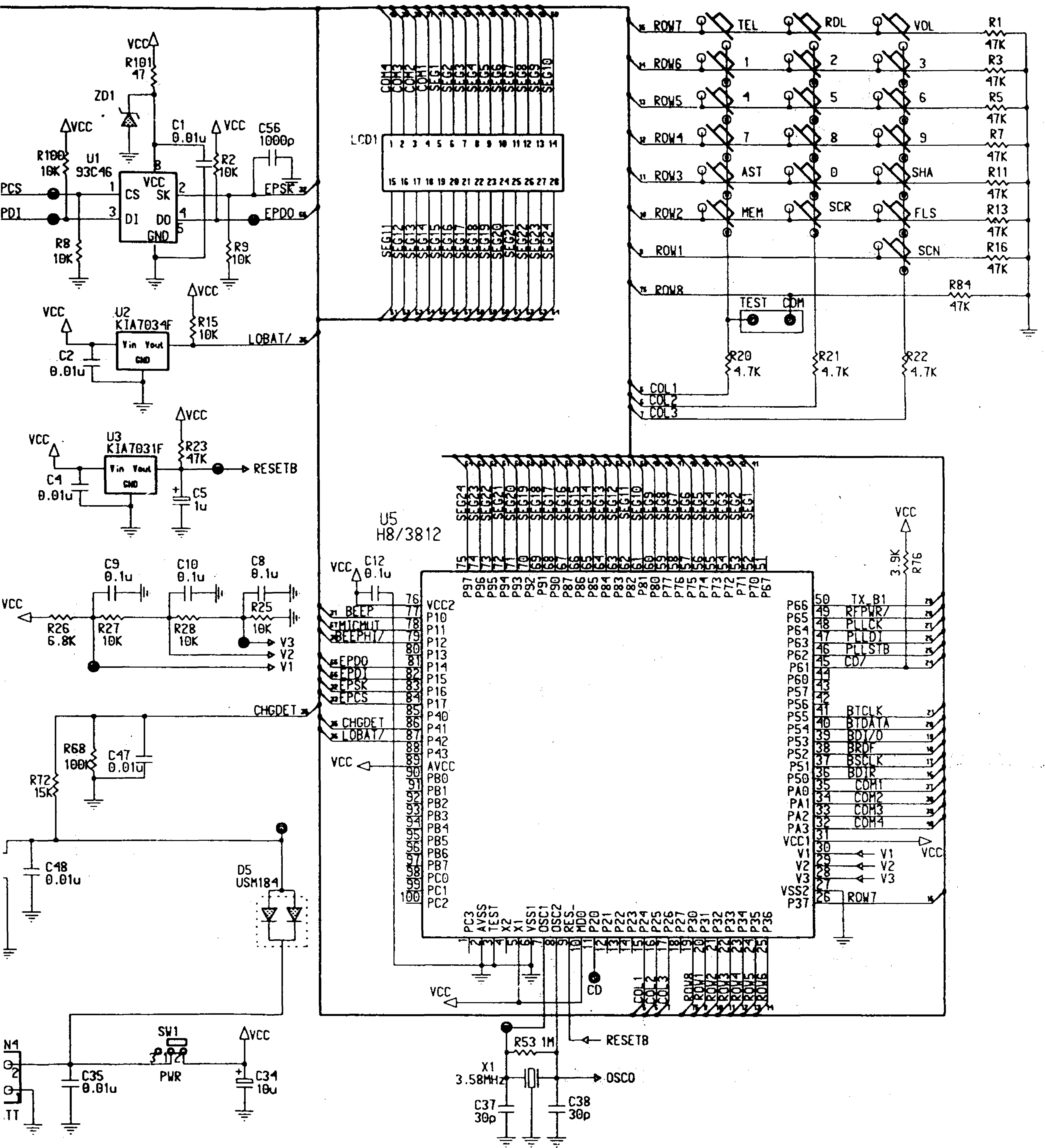




TX
 RX

<Key Pad Part>





TX
 RX

2) Major Check Points

<CPU Part>

