

SCHEMATIC DIAGR

1

2

3

4

5

6

A

B

C

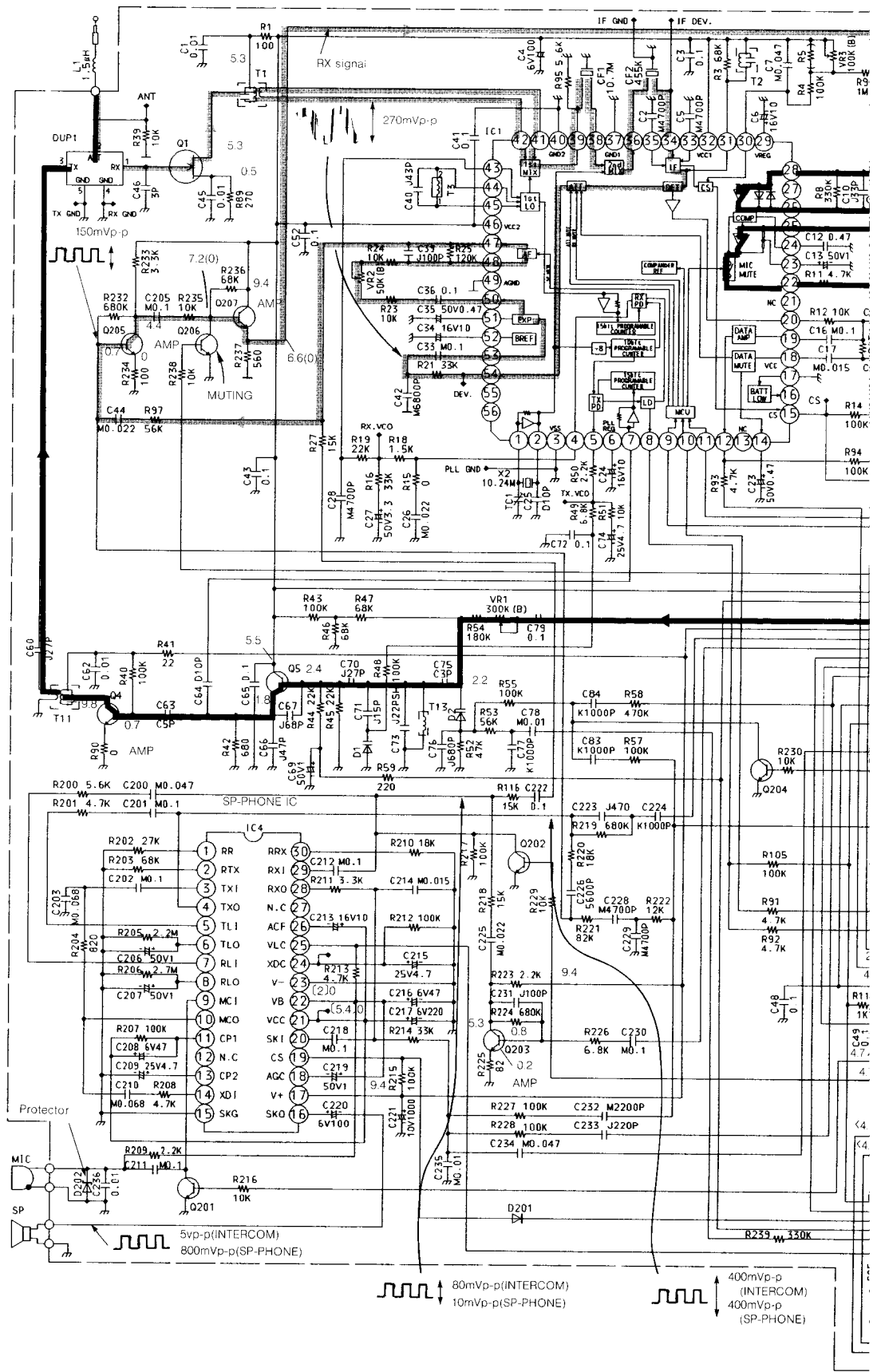
D

E

F

G

H



TIC DIAGRAM (KX-T3967H-B)

7

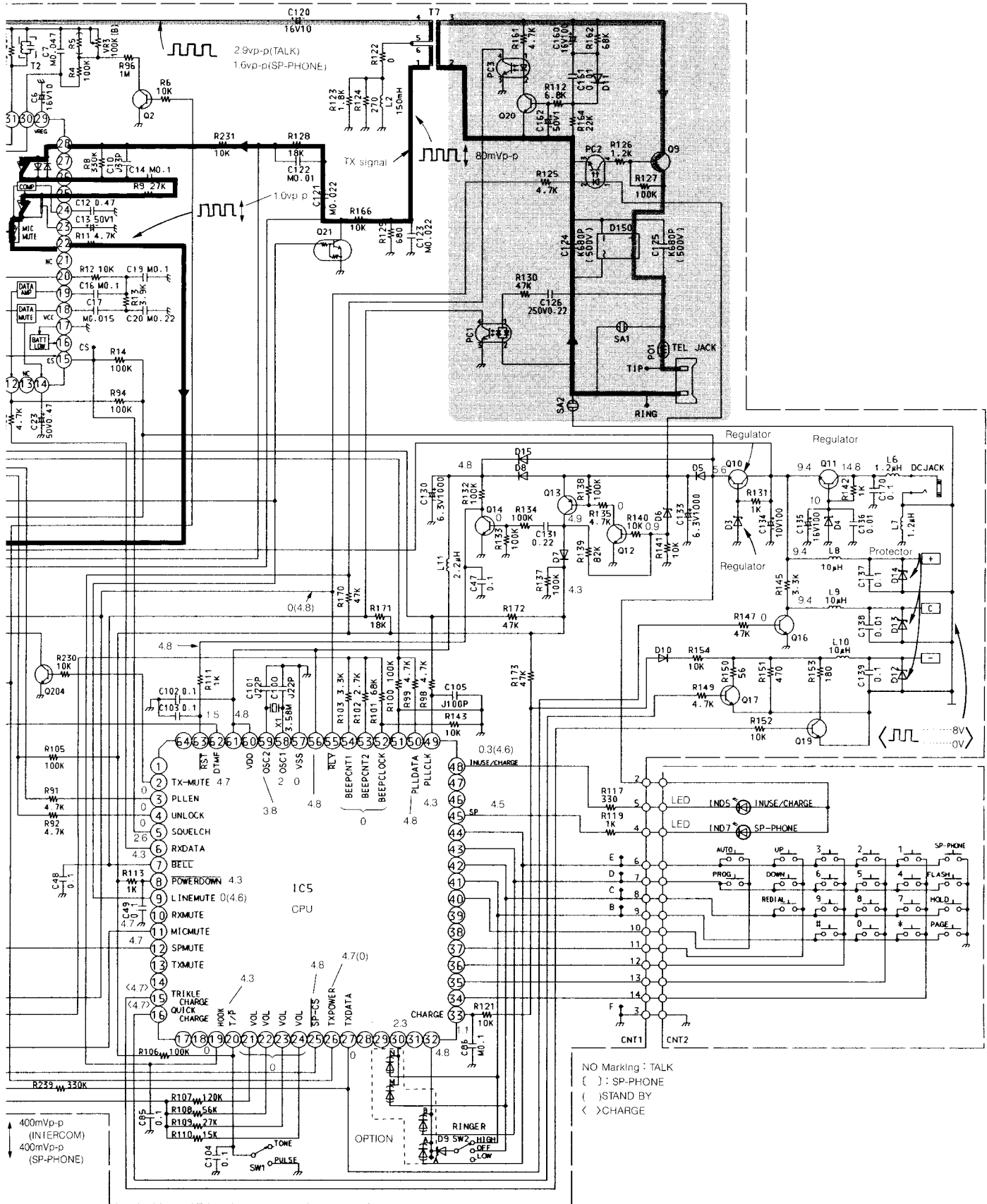
8

9

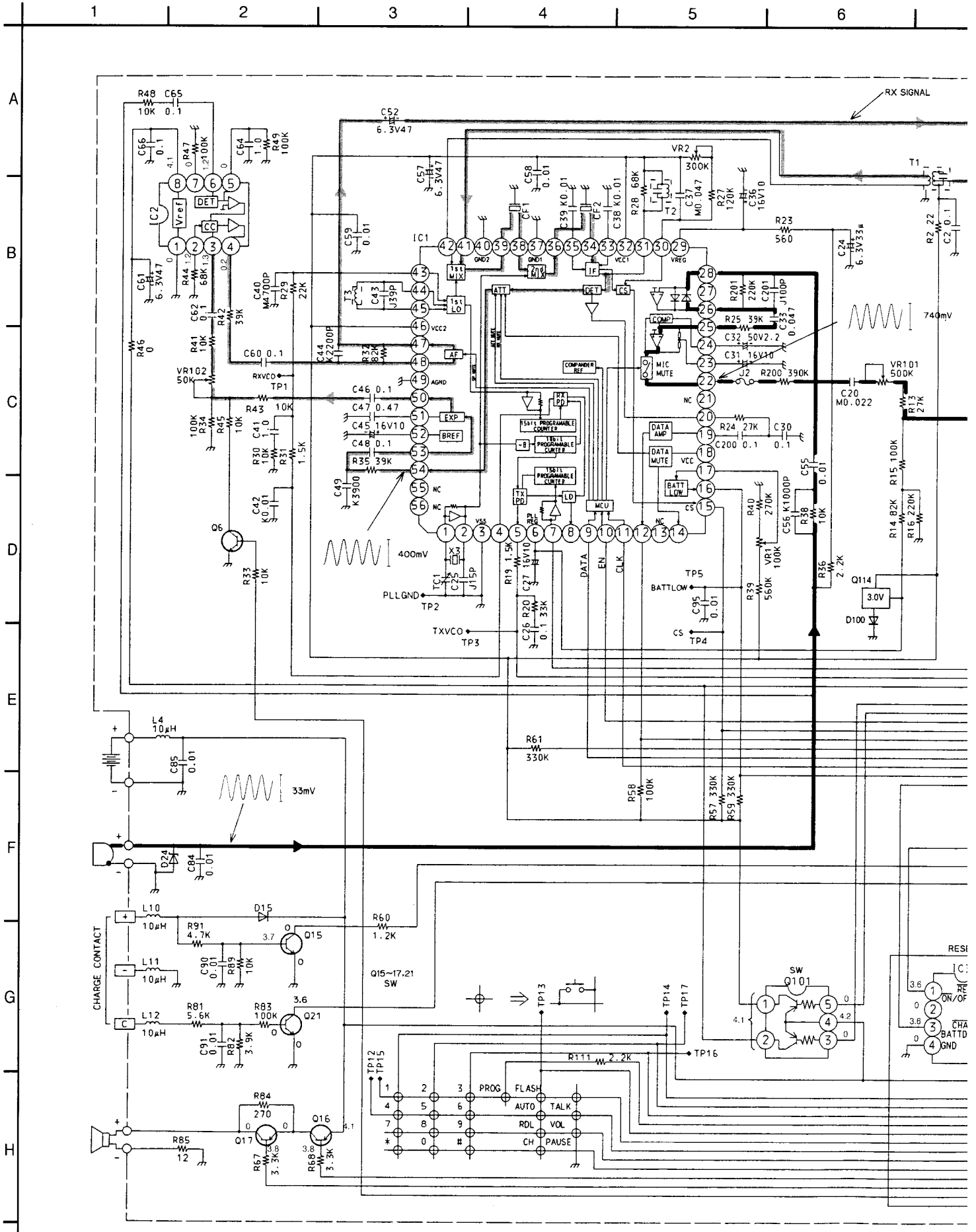
10

11

12



SCHEMATIC DIAGRAM



MATIC DIAGRAM (KX-T3967R-B)

6 | 7 | 8 | 9 | 10 | 11 | 1

