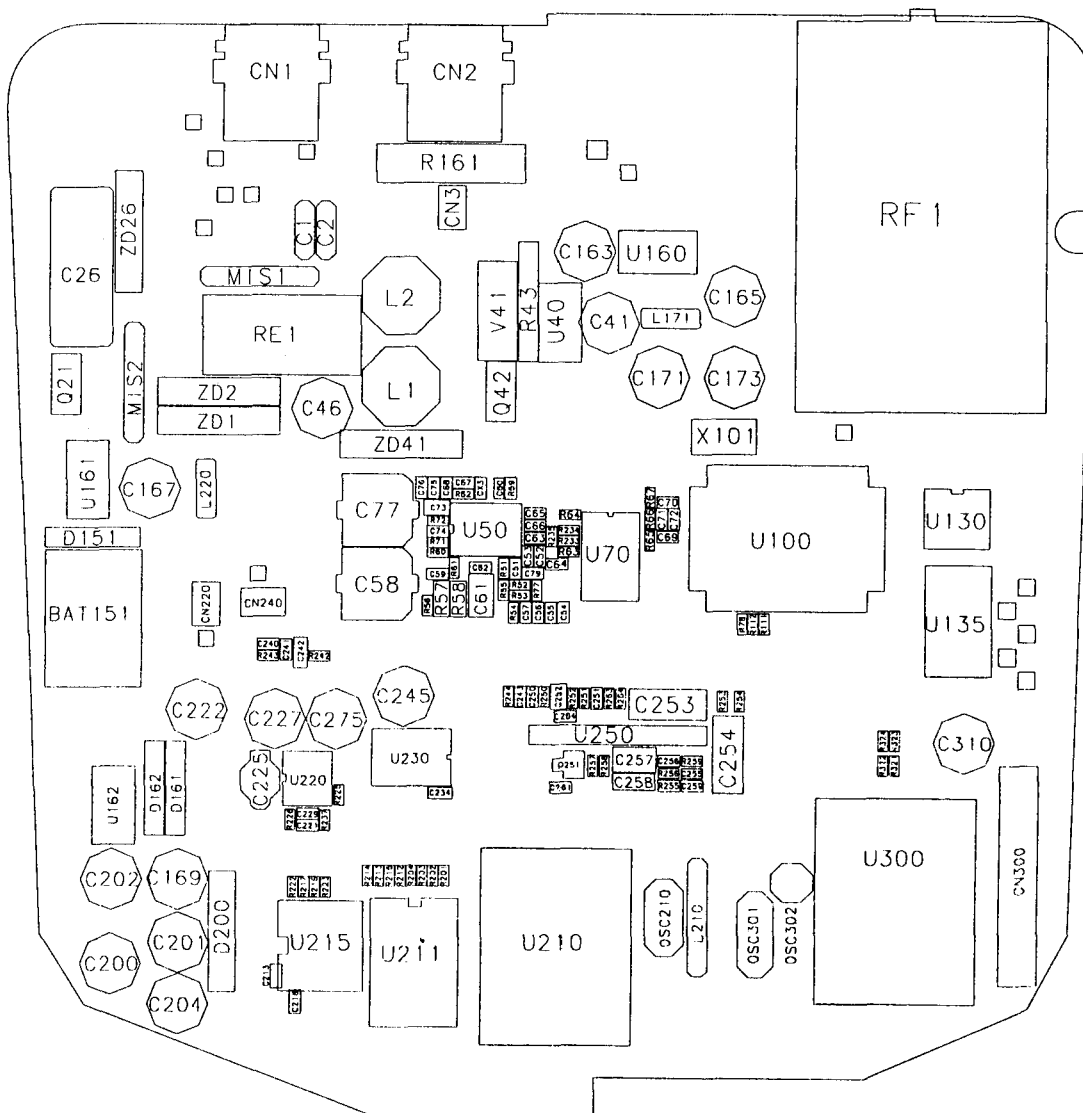
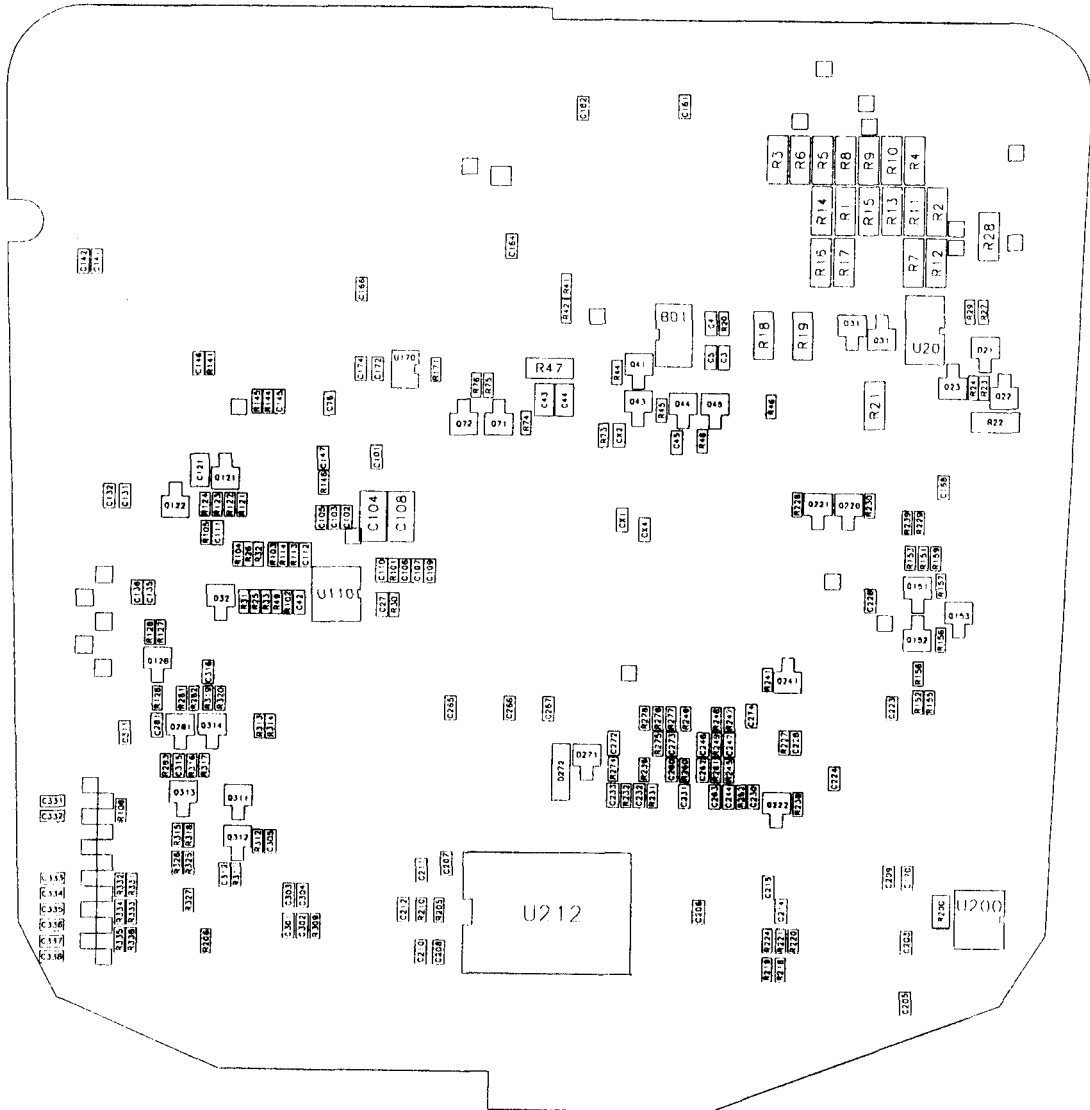


8. PCB Views

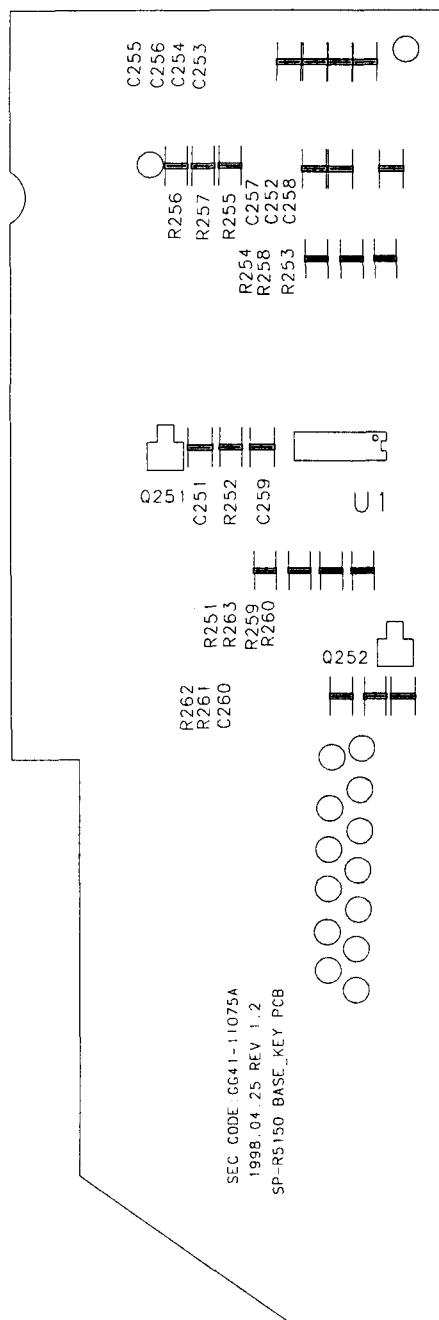
1. Base Top View



2. Base Bottom View

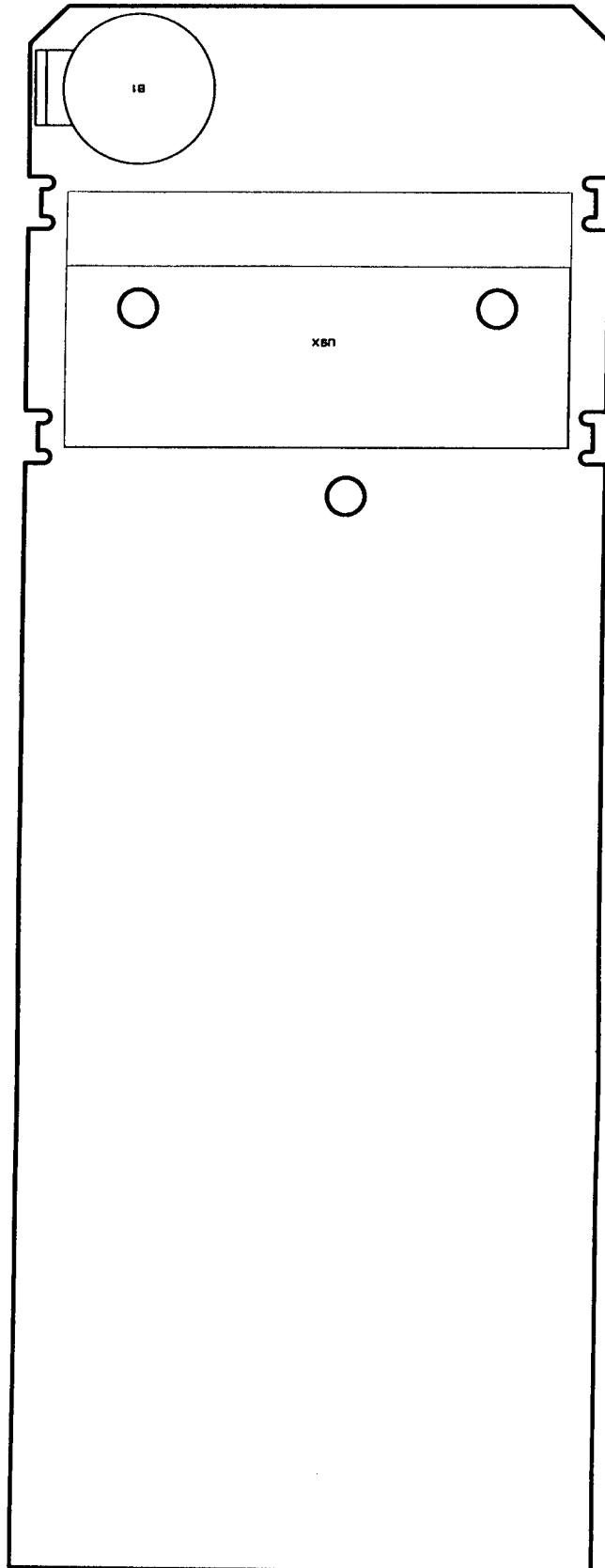


3. Base Key View



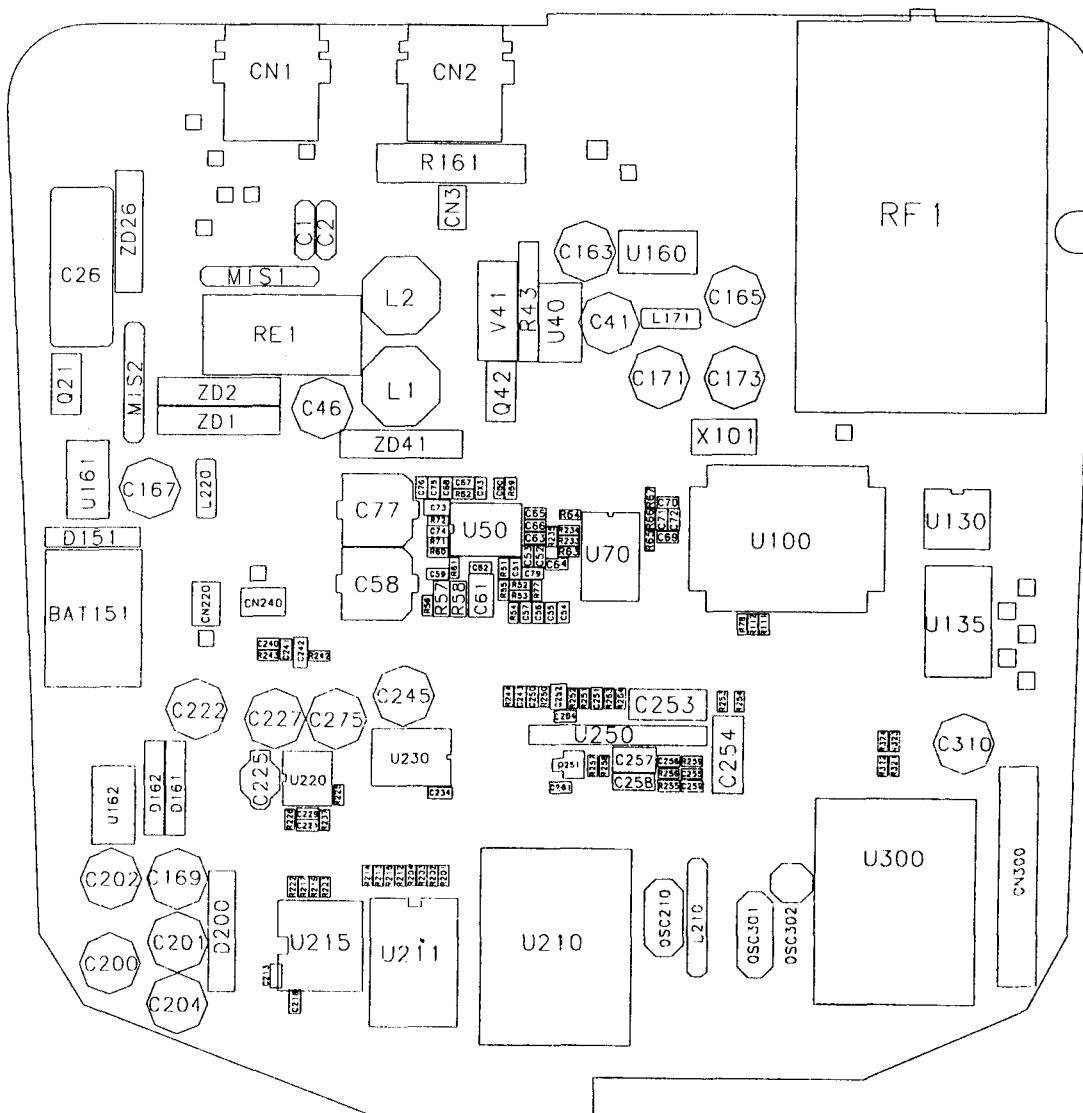
NO	Description
C251	C104Z, 100 nF, 50 V
C252	C683Z, 68 nF, 50 V
C253	C683Z, 68 nF, 50 V
C254	C683Z, 68 nF, 50 V
C255	C683Z, 68 nF, 50 V
C256	C683Z, 68 nF, 50 V
C257	C683Z, 68 nF, 50 V
C258	C683Z, 68 nF, 50 V
C259	C104Z, 100 nF, 25 V
C260	C104Z, 100 nF, 50 V
Q251	KSC1623-Y
Q252	KSC1623-Y
R251	10 kohm, 5 %
R252	10 kohm, 5 %
R253	220 ohm, 5 %
R254	220 ohm, 5 %
R255	220 ohm, 5 %
R256	220 ohm, 5 %
R257	220 ohm, 5 %
R258	220 ohm, 5 %
R259	220 ohm, 5 %
R260	10 kohm, 5 %
R261	10 kohm, 5 %
R262	100 ohm, 5 %
R263	100 ohm, 5 %
U1	MC74LS164ADR2

4. Remote Top View

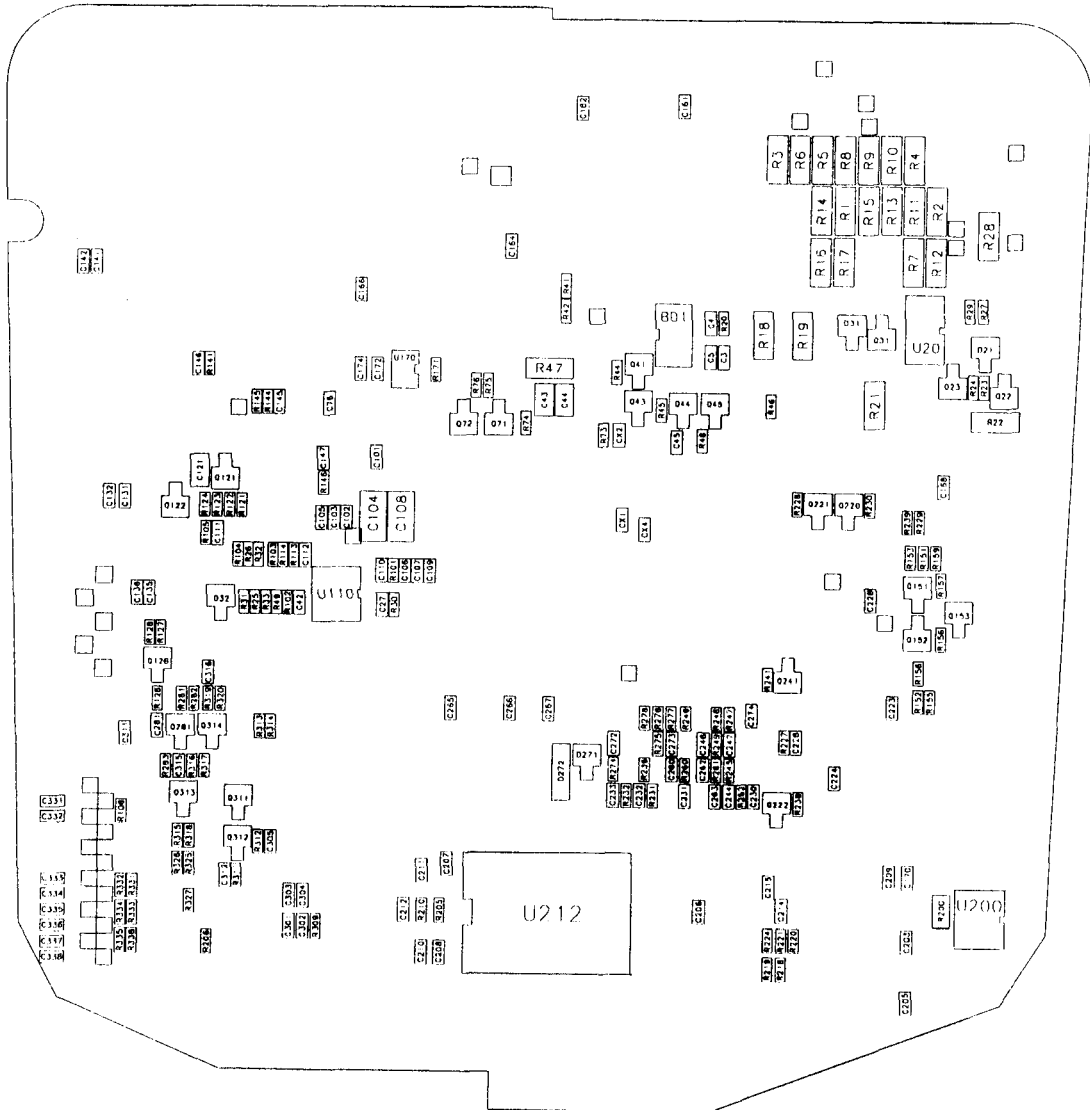


8. PCB Views

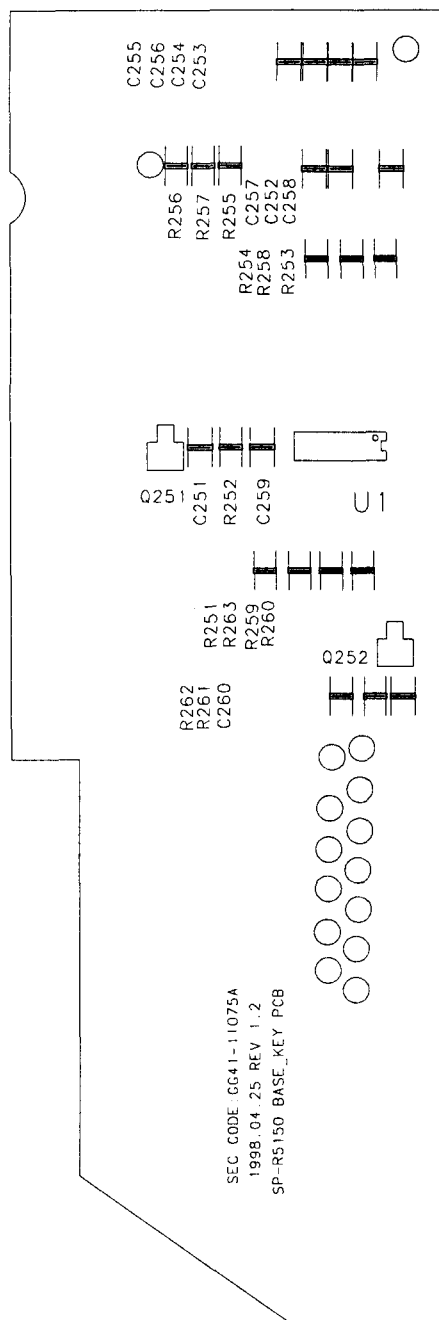
1. Base Top View



2. Base Bottom View

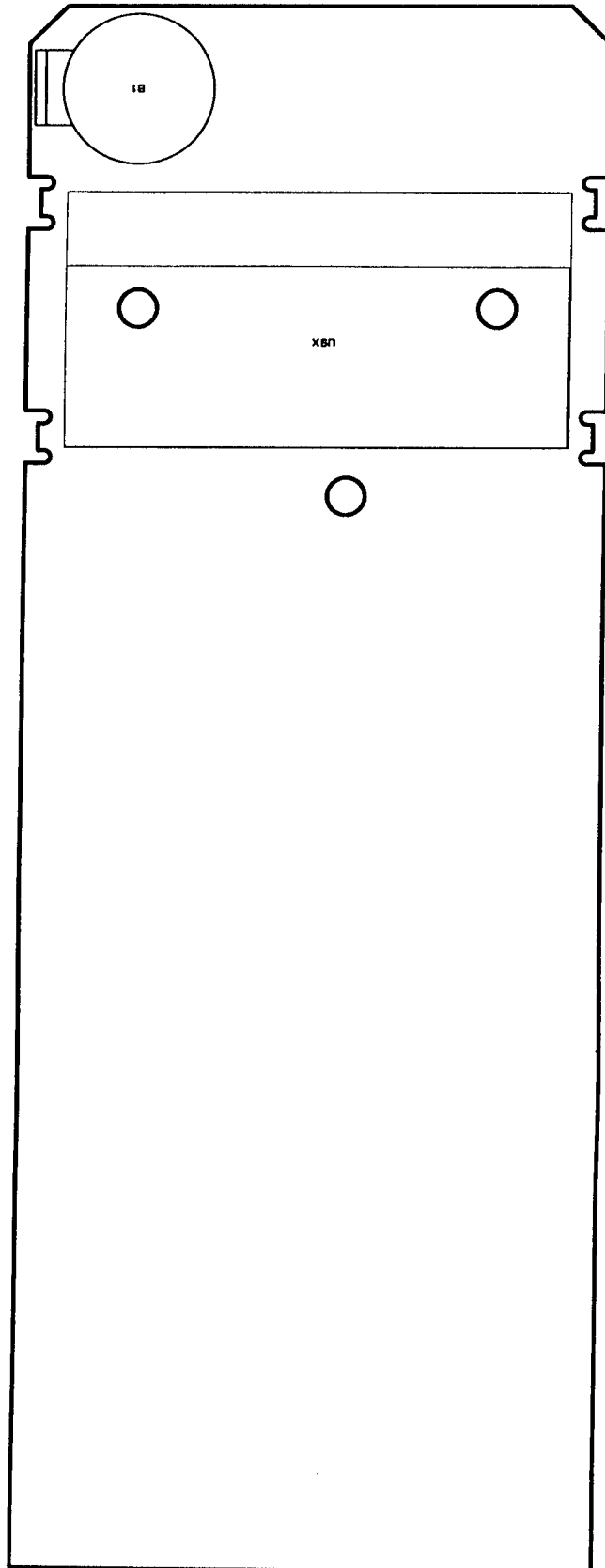


3. Base Key View



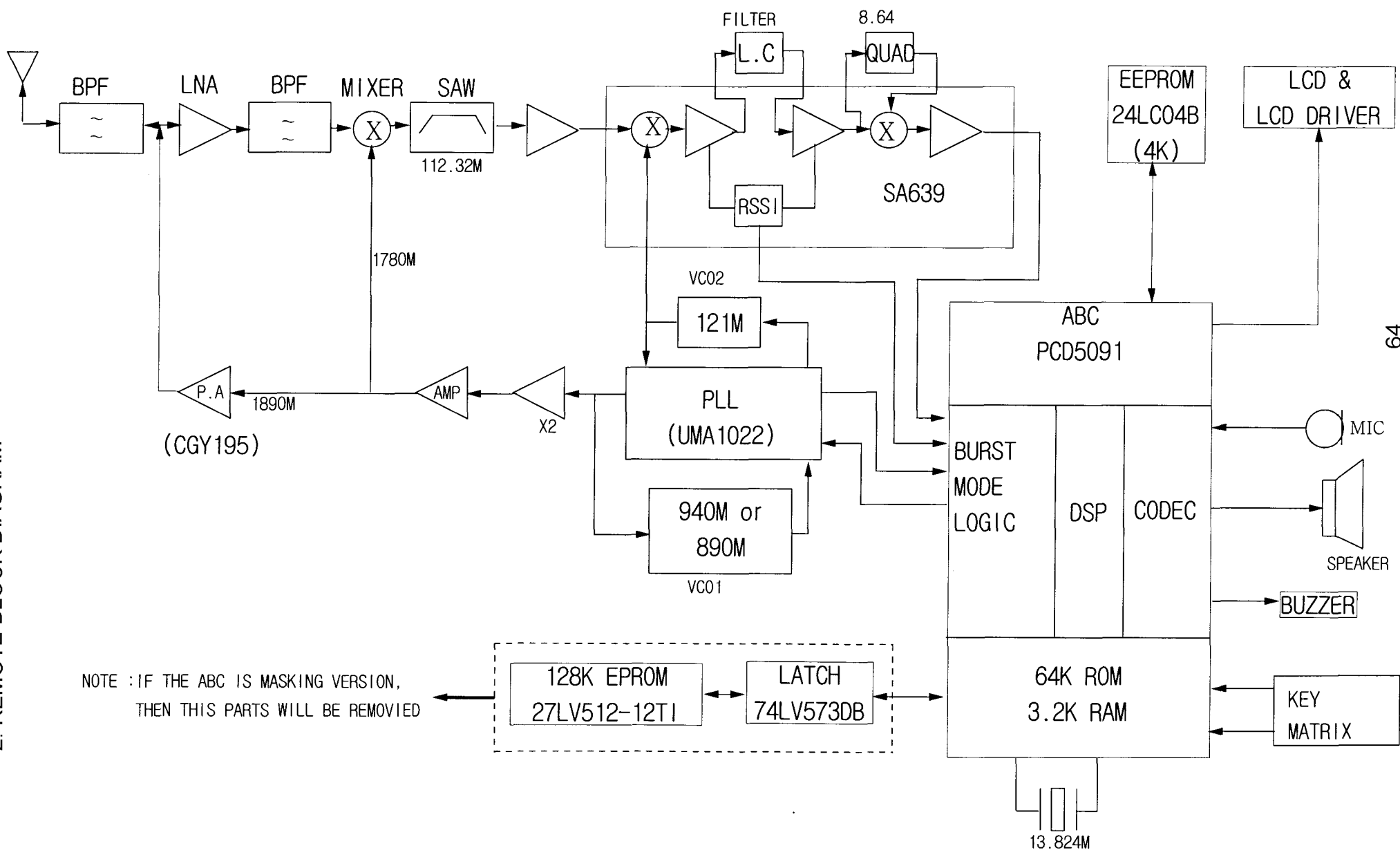
NO	Description
C251	C104Z, 100 nF, 50 V
C252	C683Z, 68 nF, 50 V
C253	C683Z, 68 nF, 50 V
C254	C683Z, 68 nF, 50 V
C255	C683Z, 68 nF, 50 V
C256	C683Z, 68 nF, 50 V
C257	C683Z, 68 nF, 50 V
C258	C683Z, 68 nF, 50 V
C259	C104Z, 100 nF, 25 V
C260	C104Z, 100 nF, 50 V
Q251	KSC1623-Y
Q252	KSC1623-Y
R251	10 kohm, 5 %
R252	10 kohm, 5 %
R253	220 ohm, 5 %
R254	220 ohm, 5 %
R255	220 ohm, 5 %
R256	220 ohm, 5 %
R257	220 ohm, 5 %
R258	220 ohm, 5 %
R259	220 ohm, 5 %
R260	10 kohm, 5 %
R261	10 kohm, 5 %
R262	100 ohm, 5 %
R263	100 ohm, 5 %
U1	MC74LS164ADR2

4. Remote Top View



2.THE SP-R5150 BLOCK DIAGRAM OF P.P.

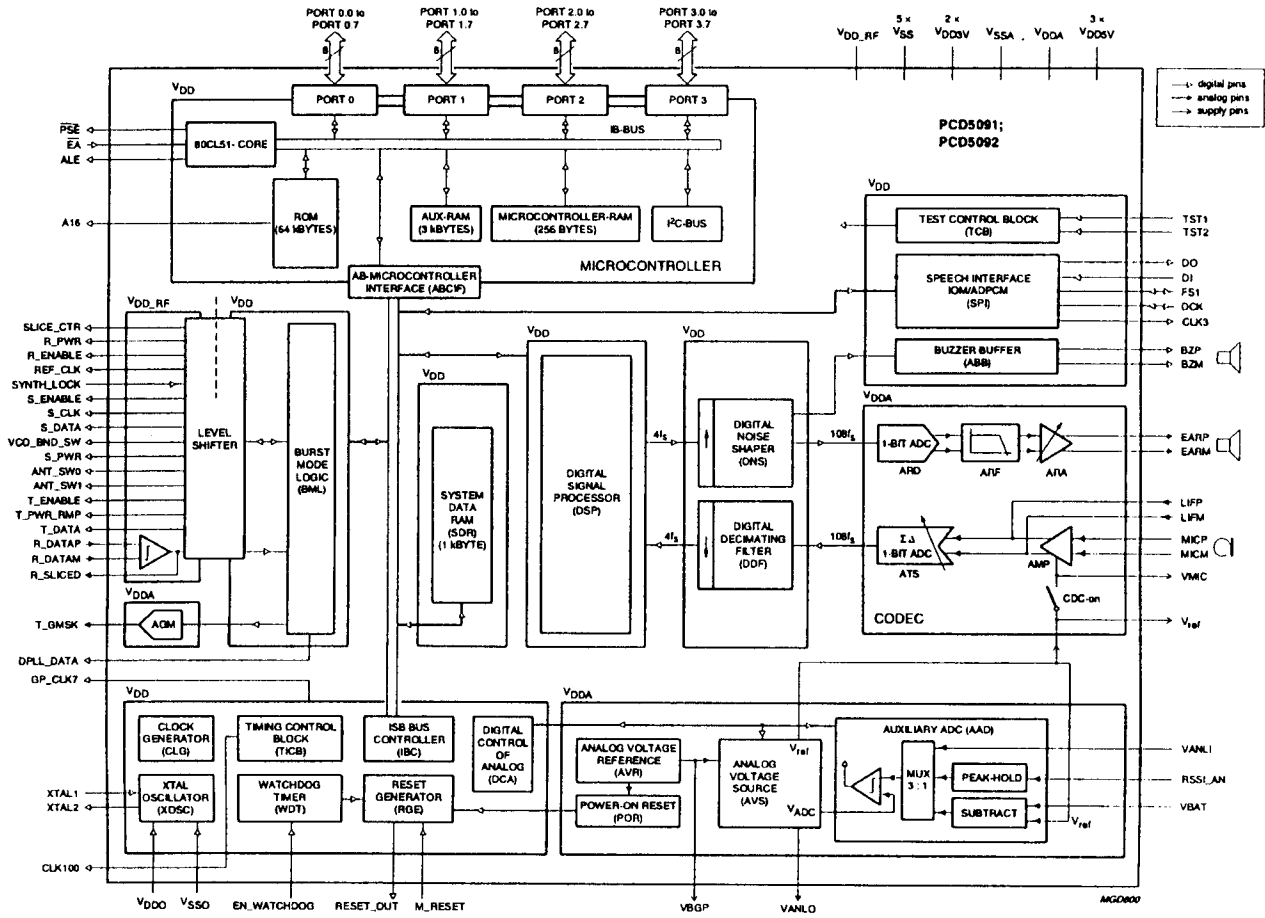
2. REMOTE BLOCK DIAGRAM



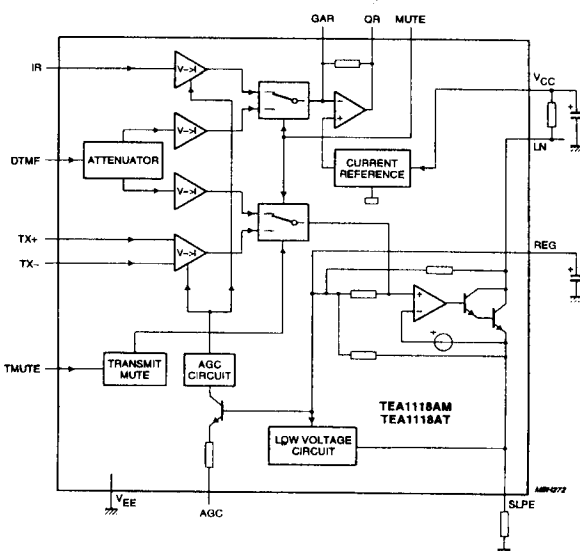
NOTE :IF THE ABC IS MASKING VERSION,
THEN THIS PARTS WILL BE REMOVED

5. Component Pin Array

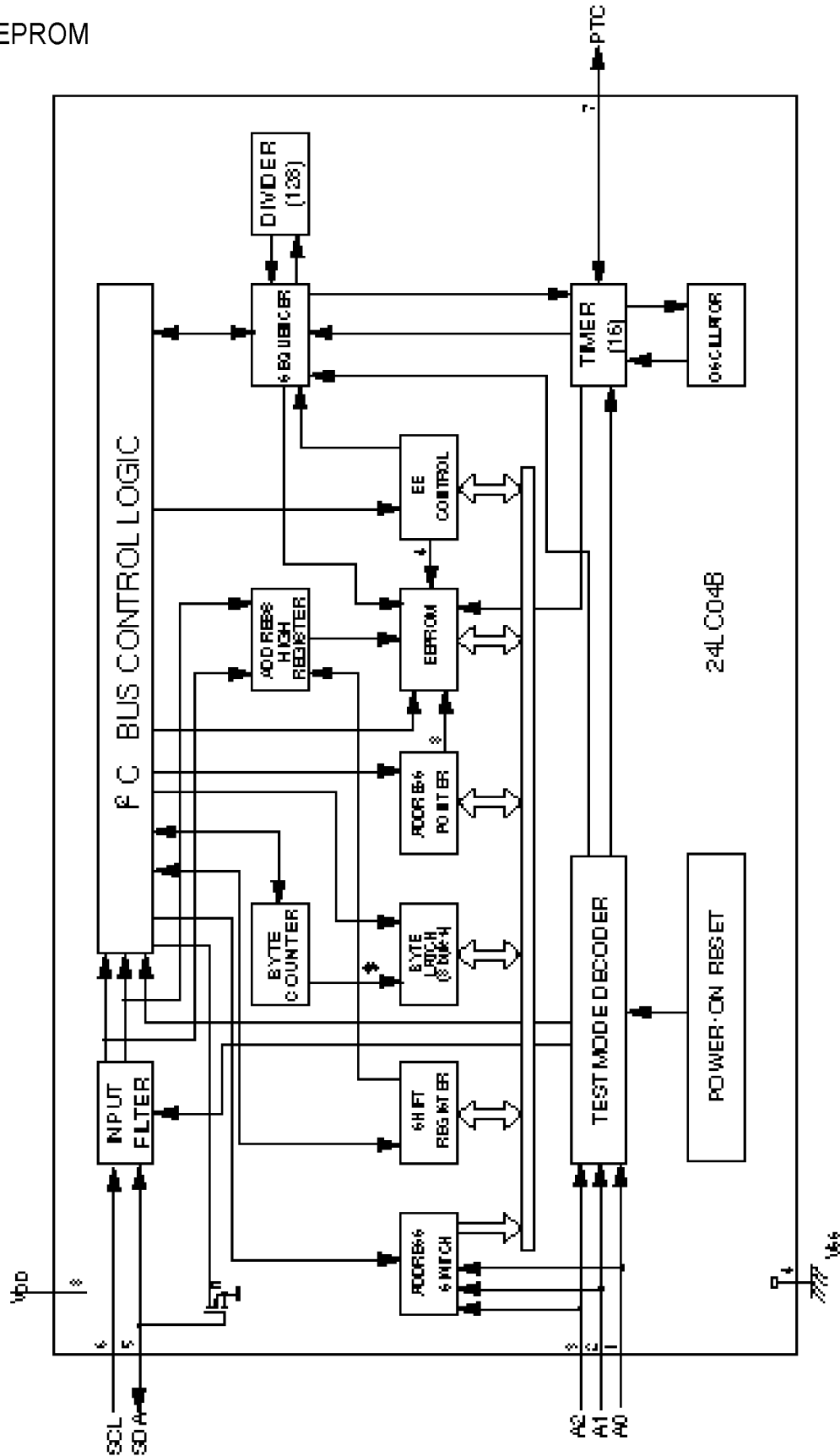
1. ABC Chip



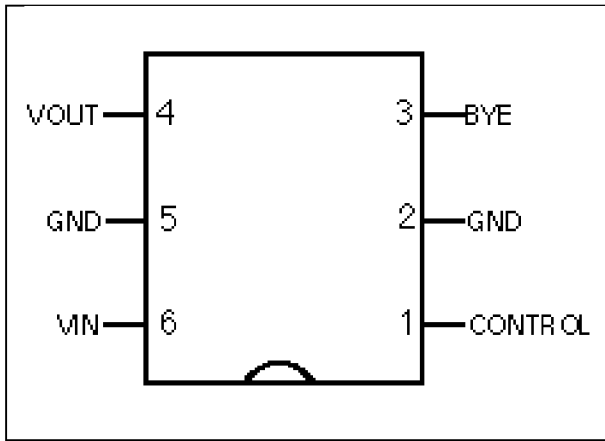
2. Speech IC



3. EEPROM

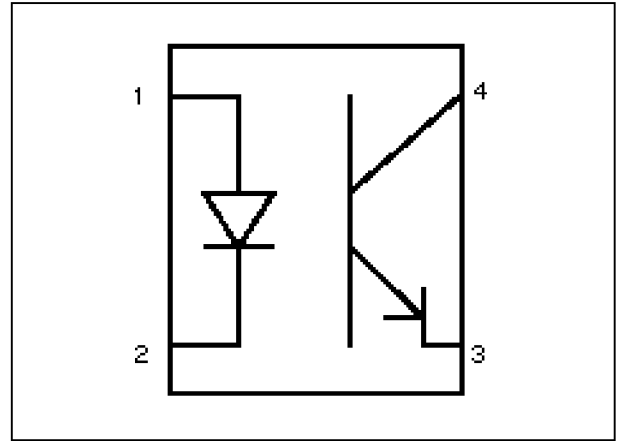


4. Voltage Regulator



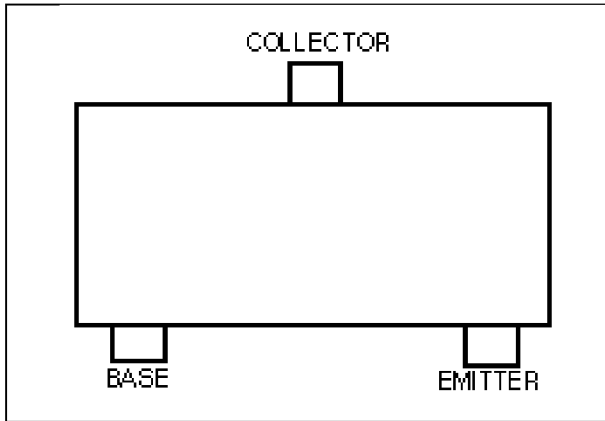
TK11233

5. Photo Coupler

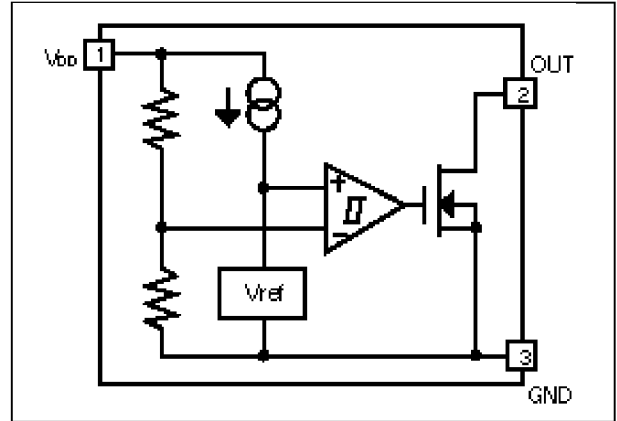


PC357

6. CHIP TR

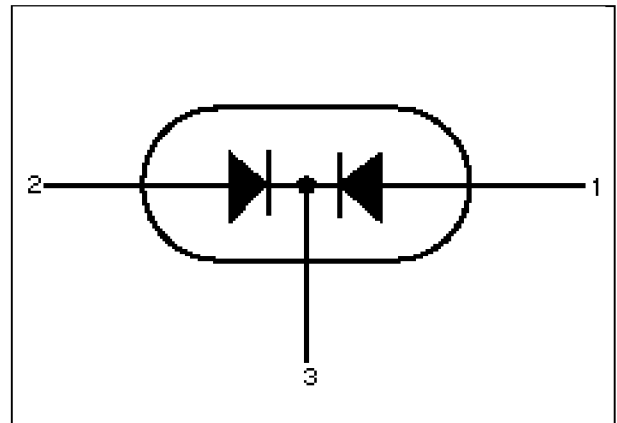
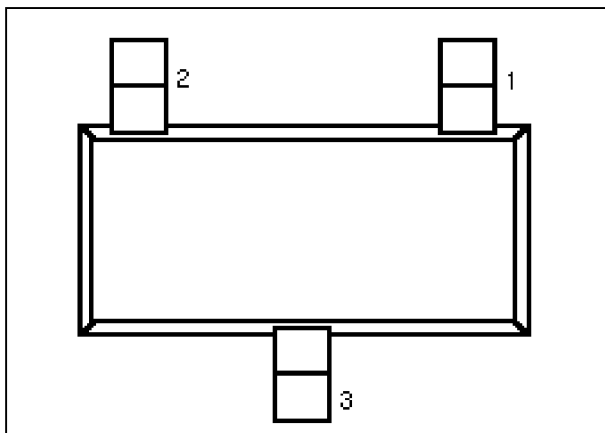


7. Voltage Detector

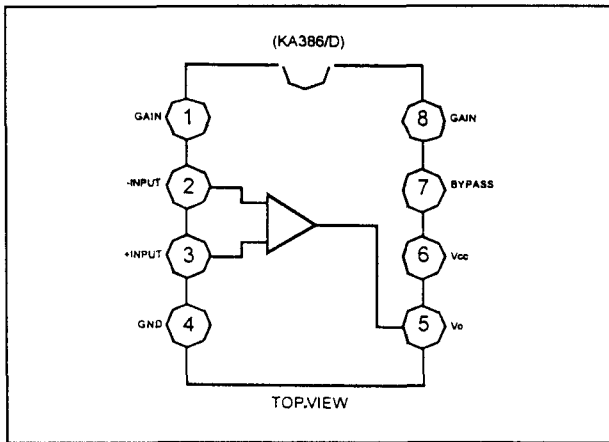


RN5VT30A

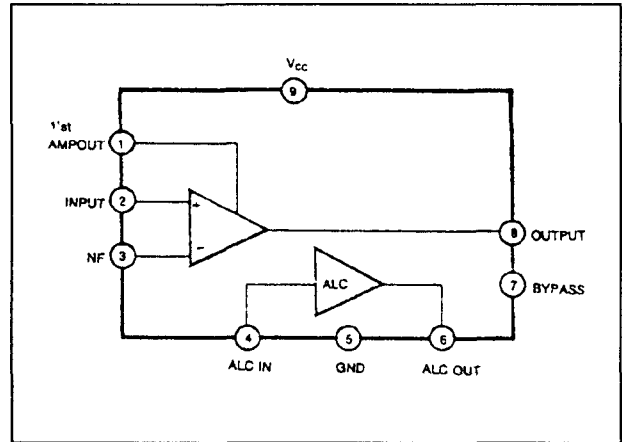
8. CHIP Diode (BAV70W)



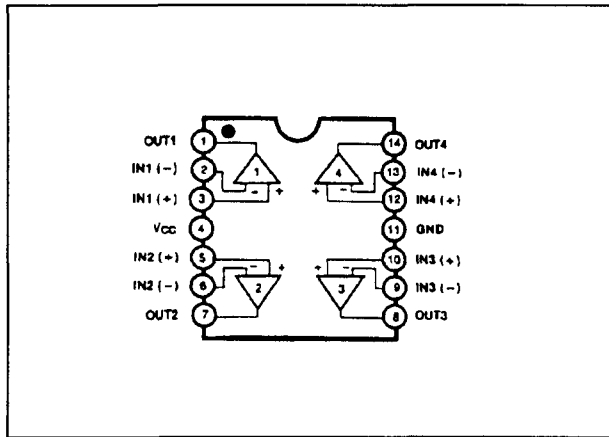
9. KA386B



10. KA2220



11. KA324AD



12. KA8620

