

- 5PICTURE
- 2PICTURE + 61AV
- 3VOLD + 7XICAM
- 4VOLD + 8STANDBY OFF

S009 SERVICE MODE

DEGAUSSING COIL

Photo coupler

Error amplifier

Photo DET.

IR PreAMP

EEPROM

Power regulator

VOLTAGE

PVR ON

Regulator with reset

70/0.6

73/8.6

111/17

7.9/8.0

8.6/1.5

STD 5V

12V

12V

5V

5V

5V

5V

5V

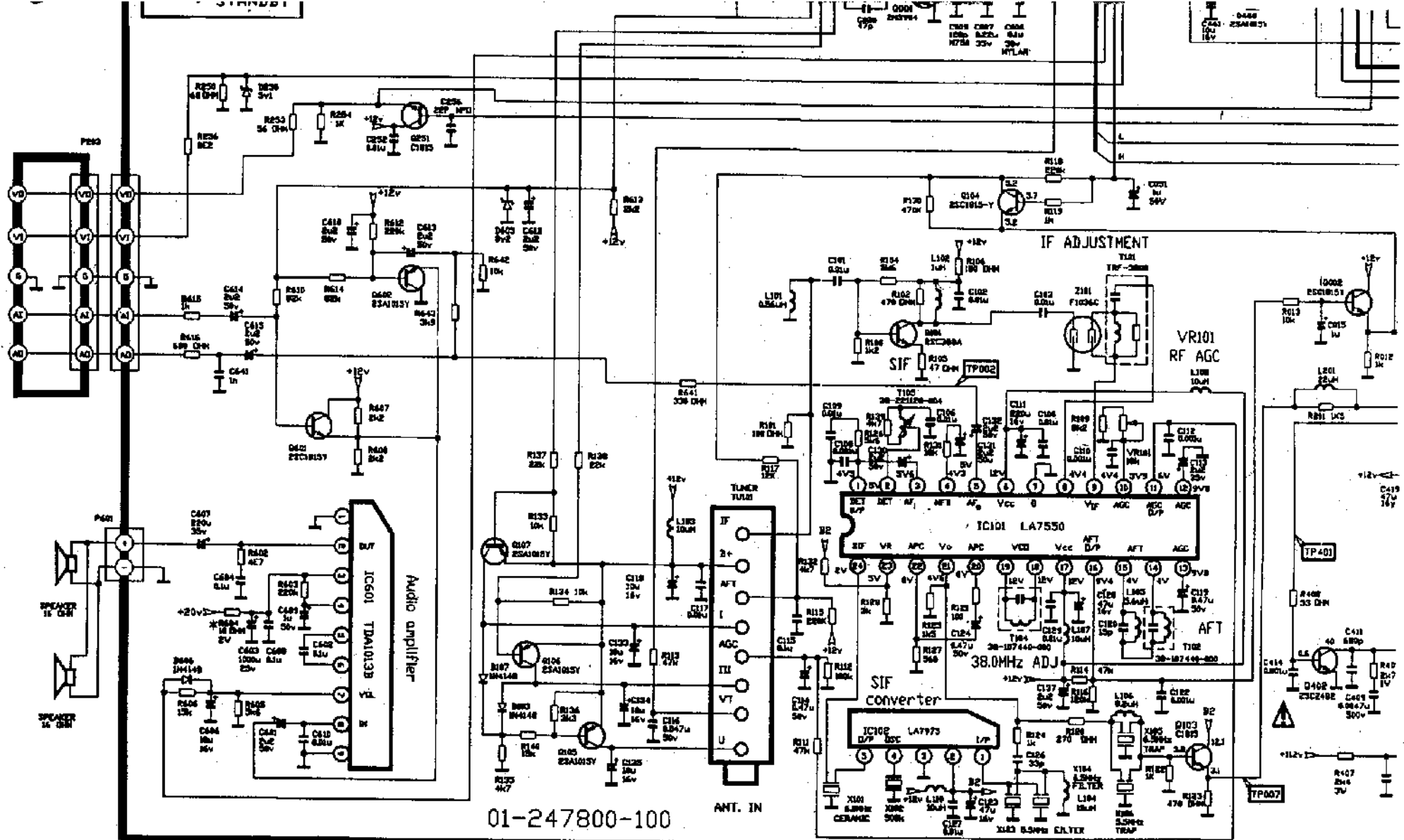
5V

5V

5V

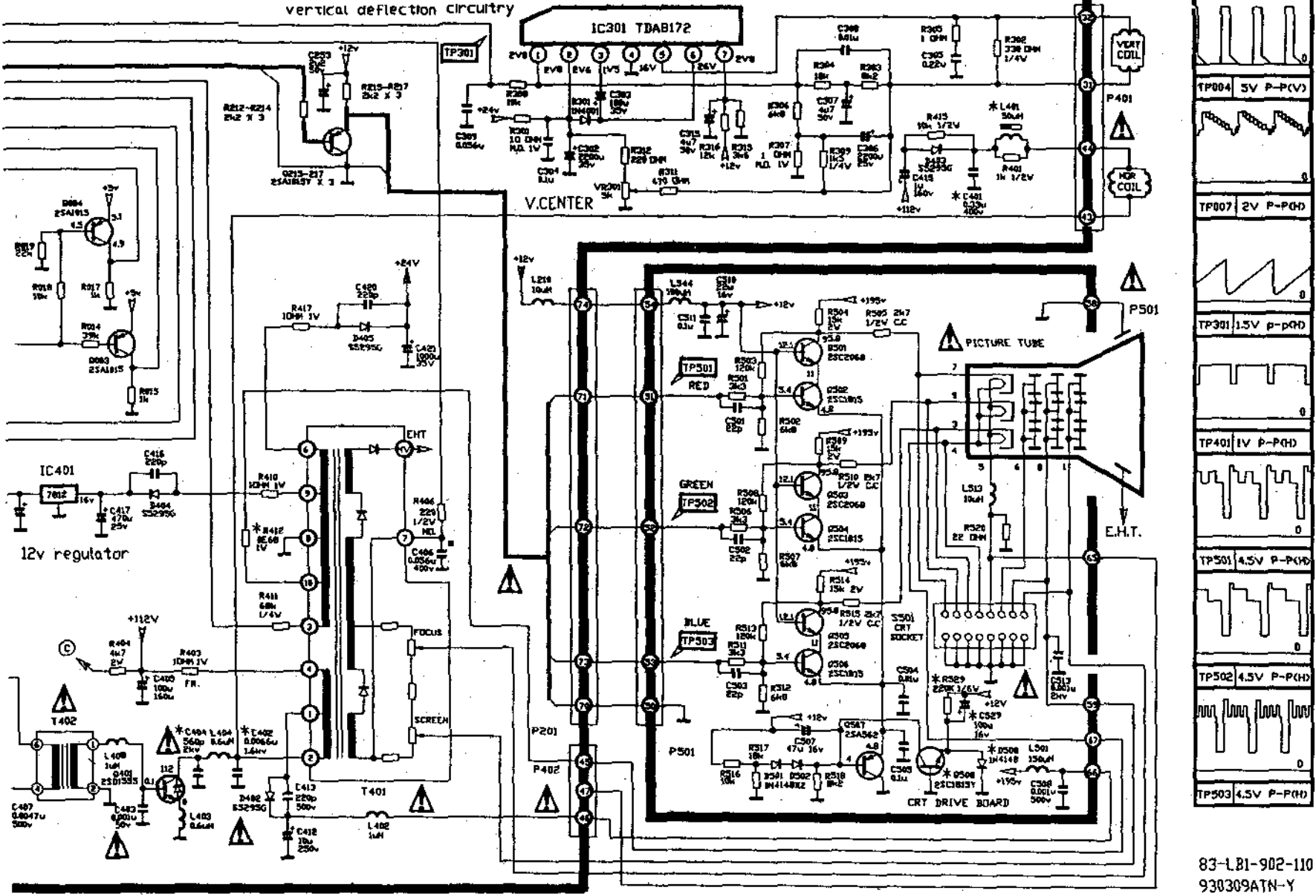
5V

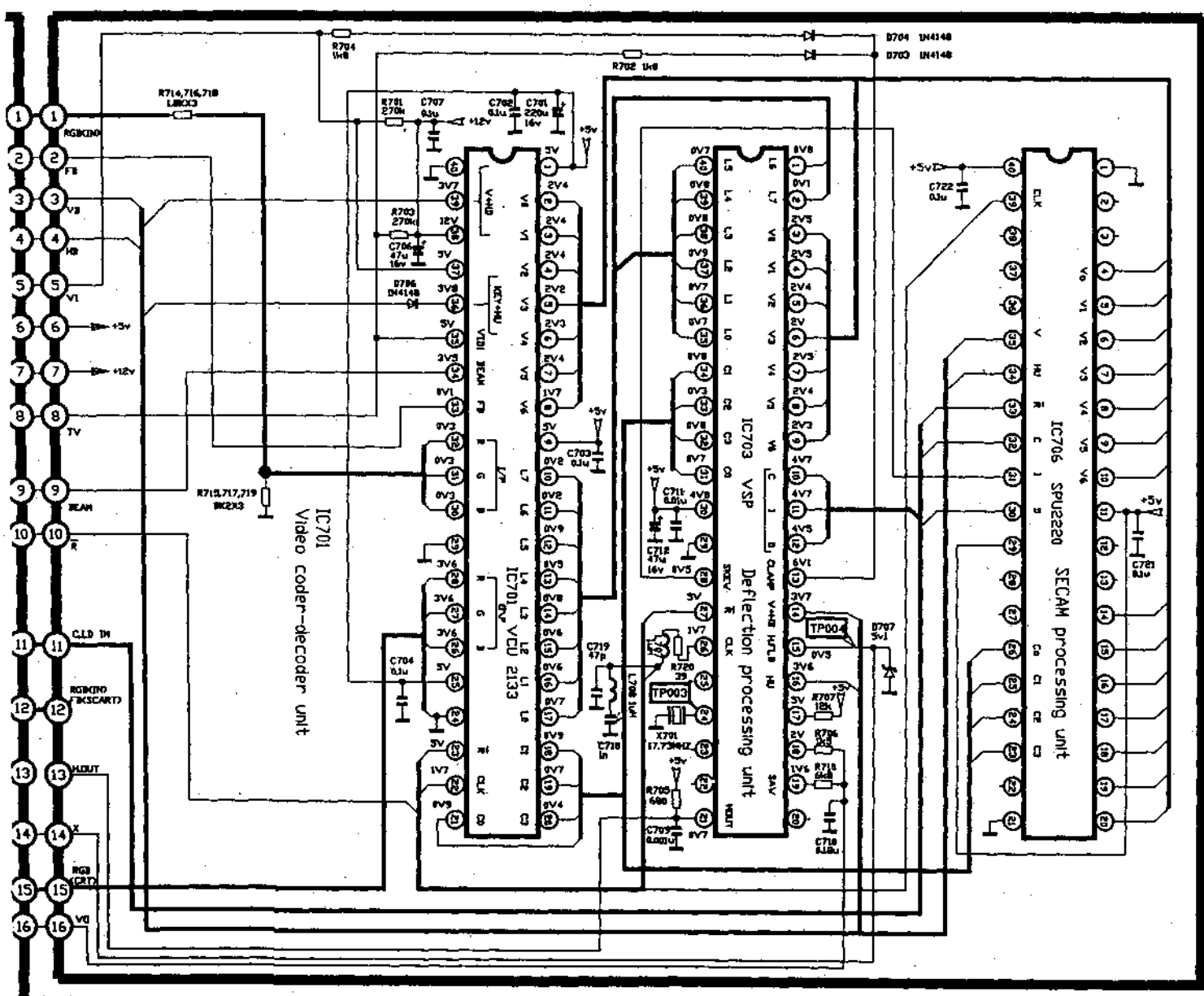
5V



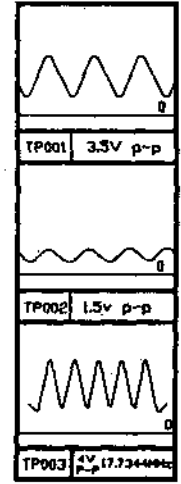
01-247800-100

vertical deflection circuitry





ITEM	TV-2002	TV-1402
*L401	39uH	50uH
*C401	0.3u	0.3u
*C402	8200p	6600p
*C404	390p	560p
*R412	0.66	0.66
*R461	2K4	2K7
*R804	10	18
*Q508	25C1815Y	—
*D508	1N4148	—
*R529	220K	—
*C529	100u 16V	—



TP003 17.734444Hz