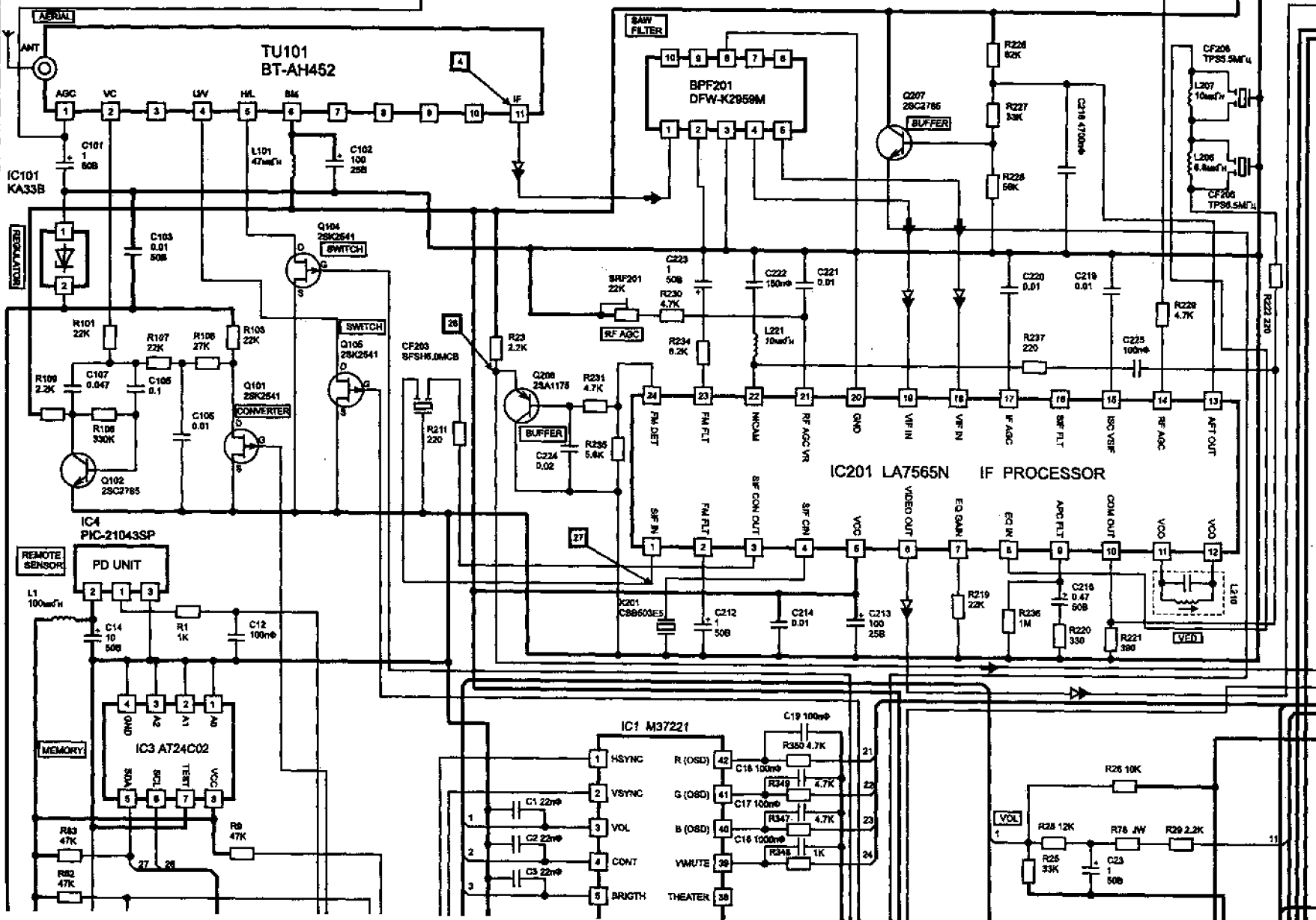
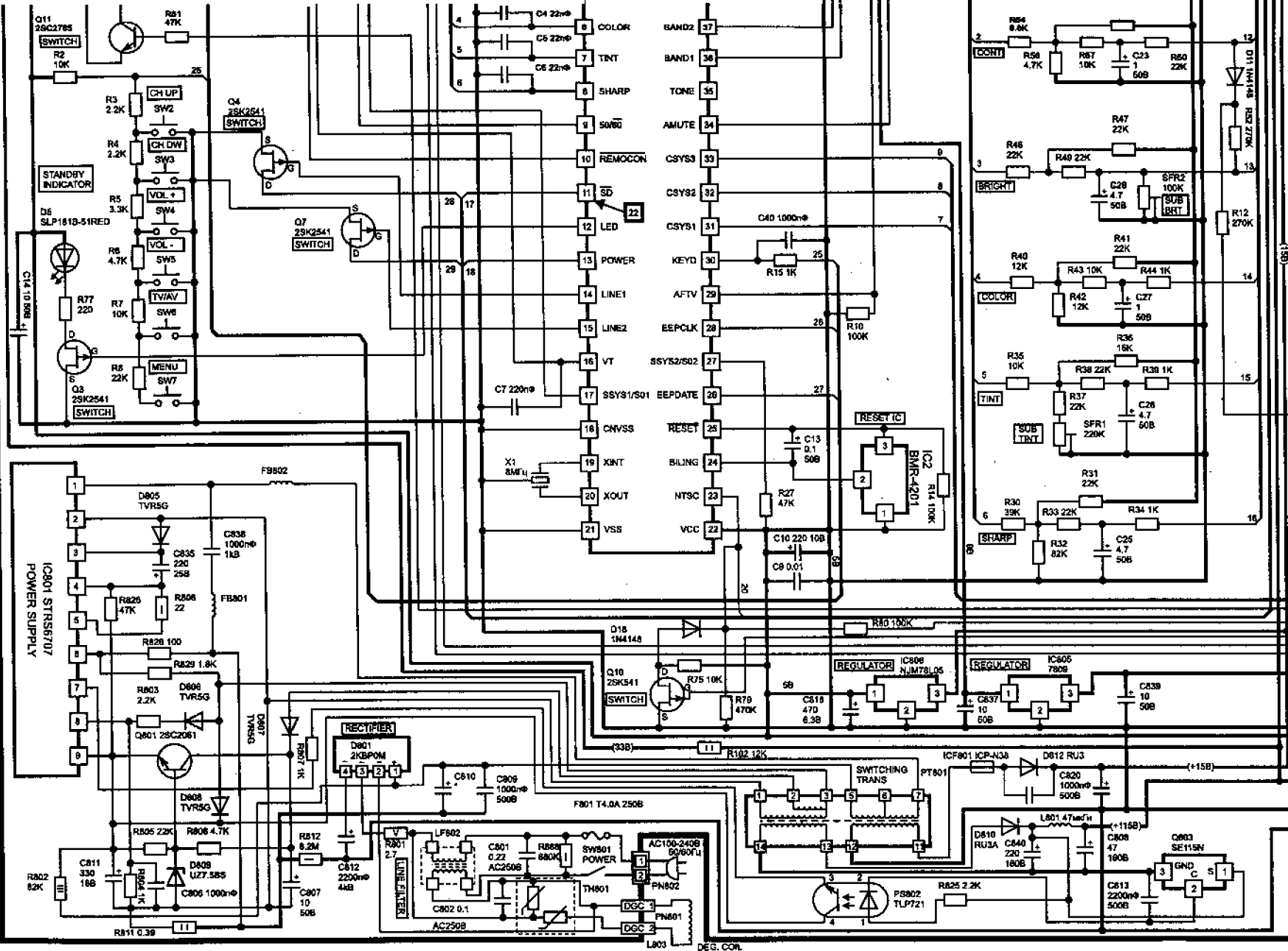
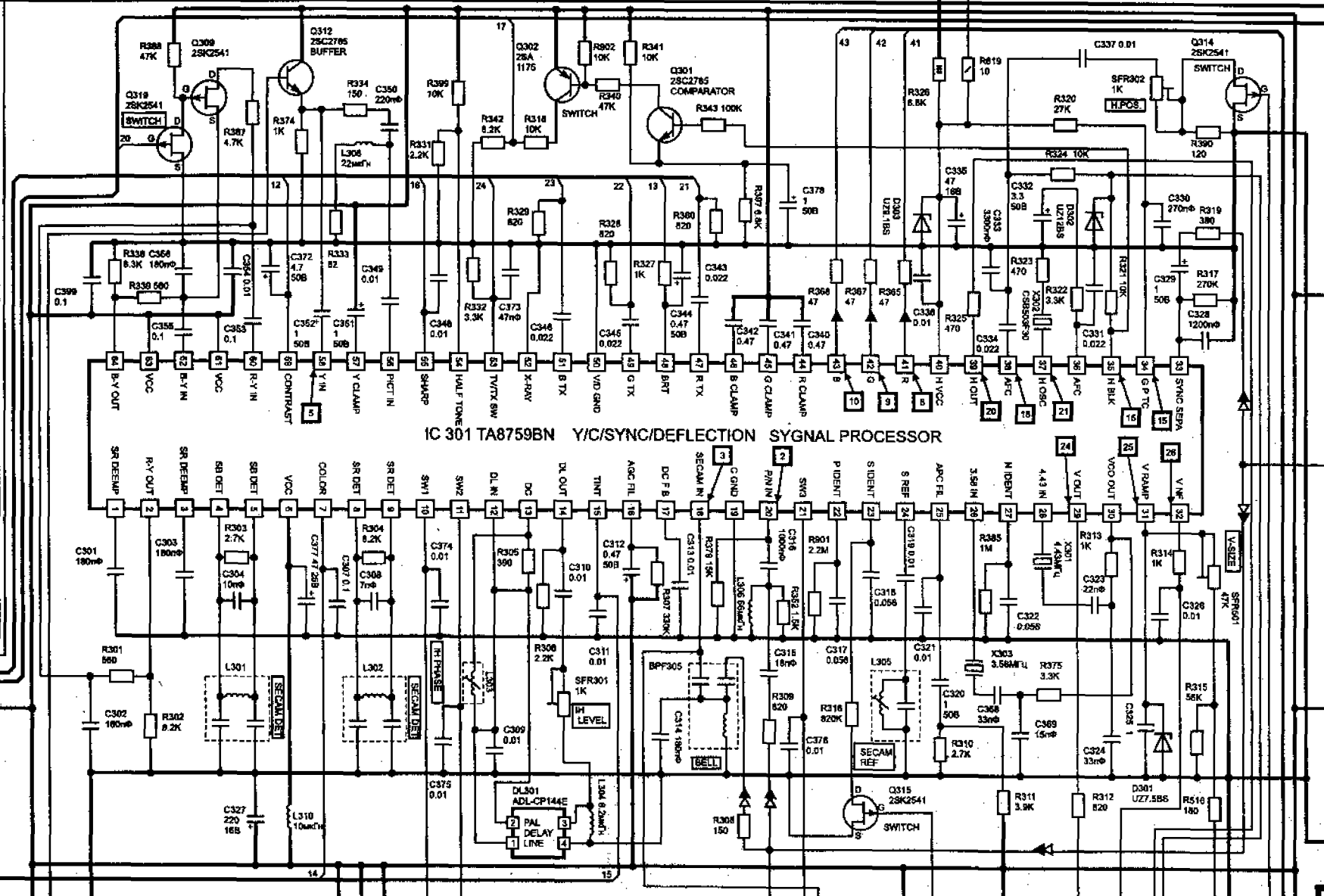


# A MAIN C.B





IC 301 TA8759BN Y/C/SYNC/DEFLECTION SIGNAL PROCESSOR



R388 47K C309 25K2541 Q312 28C2785 BUFFER

R802 10K R341 10K Q301 28C2785 COMPARATOR

R819 10K G337 0.01 Q314 28K2541 SWITCH

C319 28K2541 SWITCH R374 1K R334 150 C356 220nF

R338 C366 5.3K 180nF C372 4.7 50B R333 82 C349 0.01

R339 500 C355 0.1 C315 0.1 C352 1 50B C361 50B

R329 820 R326 820 R360 820 R327 1K C343 0.022

R322 3.3K C373 47nF C348 0.022 C345 0.022

R367 47 R365 47 R368 47 R367 47 C336 0.01

R323 470 R322 3.3K X302 C3850R30 C324 0.022

C335 47 168 C332 3.3 50B C319 380 C356 270nF

R317 270K C328 1200nF R319 380 C325 1 50B

R303 2.7K R304 8.2K R308 7nF C307 0.1

R301 580 L301 C304 10nF C377 47 20B

R305 390 C310 0.01 C312 0.47 50B R307 300K

R308 2.2K C311 0.01 R318 15K R313 1K

R316 820K C317 0.058 C318 0.056 C319 0.01

R300 2.2M R315 1M R314 1K R313 2.2nF

R313 1K X301 4.43M C322 0.058 R313 2.2nF

R314 1K R315 56K C326 0.01 C325 1

C302 180nF R302 8.2K L302

C327 220 16B L310 10uH

R309 180nF C316 1000nF R302 15K

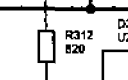
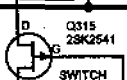
C314 180nF C376 0.01 R308 150

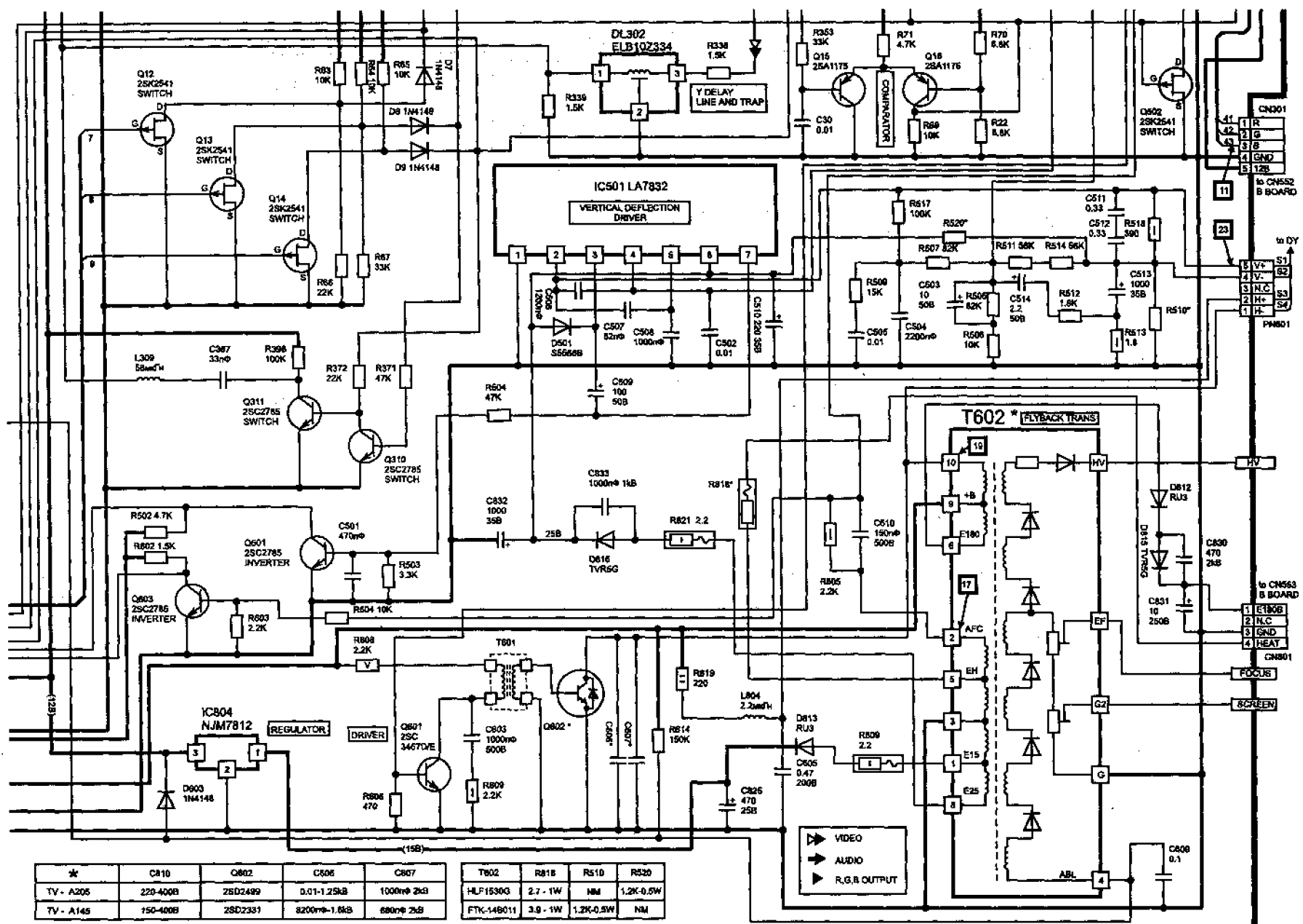
C315 0.056 C321 0.01 C320 1 50B

R316 820K R310 2.7K C368 33nF C369 15nF

C324 33nF C325 1 R311 3.3K R312 520

R315 56K R518 180 D301 UZ7.5B5





*	C810	C802	C506	C807
TV - A205	220-400B	2SD2499	0.01-1.25KB	1000nF 25B
TV - A145	150-400B	2SD2331	8200nF-1.0KB	680nF 25B

T602	R818	R510	R520
HLP1630G	2.7 - 1W	NM	1.2K-0.5W
FTC-148011	3.9 - 1W	1.2K-0.5W	NM

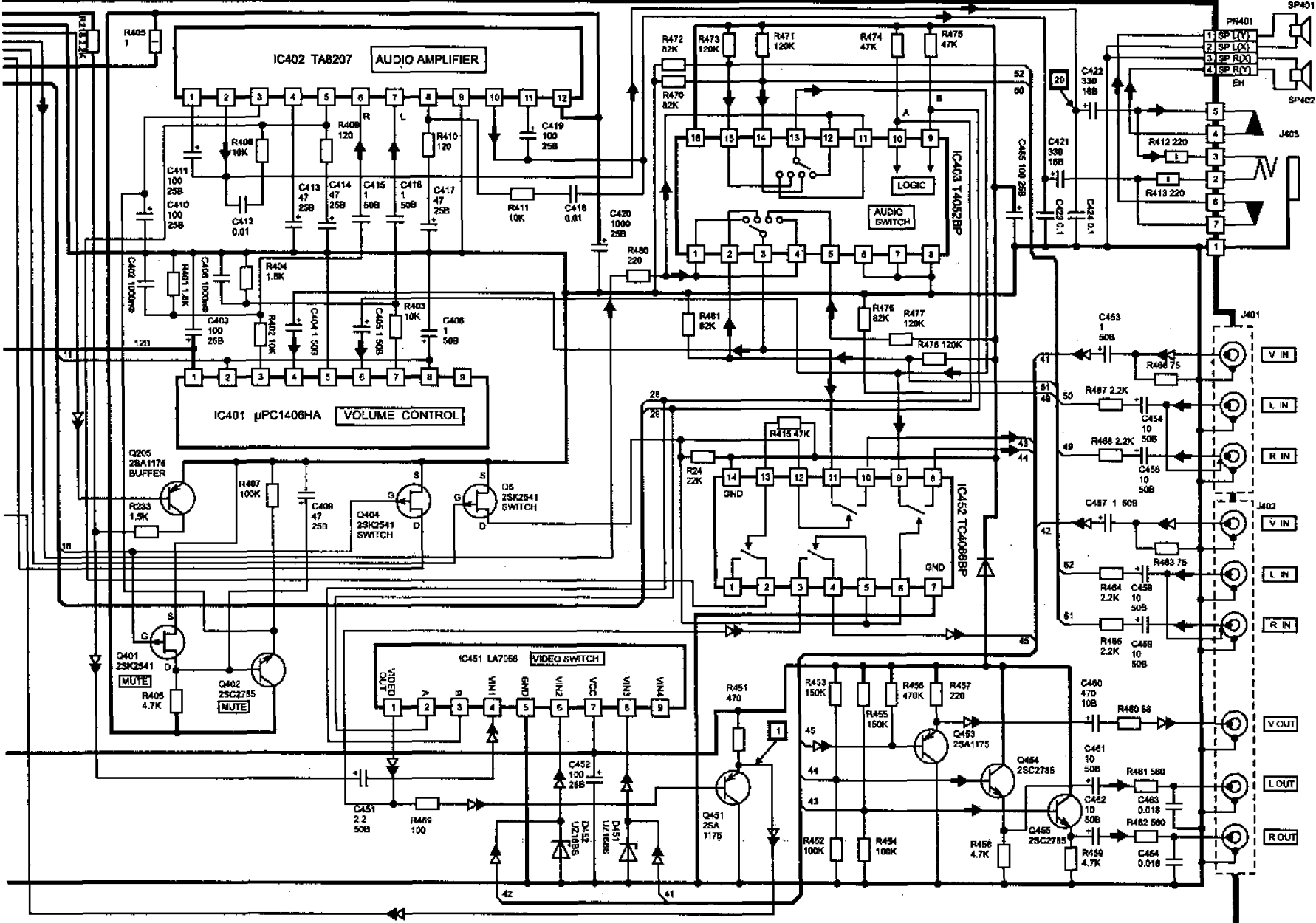
- ▶ VIDEO
- ▶ AUDIO
- ▶ R,G,B OUTPUT

CN501	1	R
	2	G
	3	B
	4	GNP
	5	12B

to DY	S1	S2
	3	N.C.
	2	H+
	1	H-

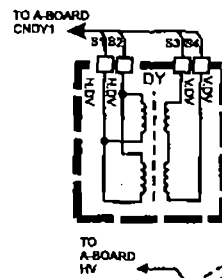
to CN563	1	E180B
	2	N.C.
	3	GNP
	4	HEAT

FOCUS  
SCREEN



*	CN564	V551
TV-A208	HP61521	A49QDAD20X02
TV-A145	CVT3328	A34KP0270XA1

+	Q551, Q552, Q553
TV-A208	28C4217D/E
TV-A145	28C3487D/E



**B NK C.B**

