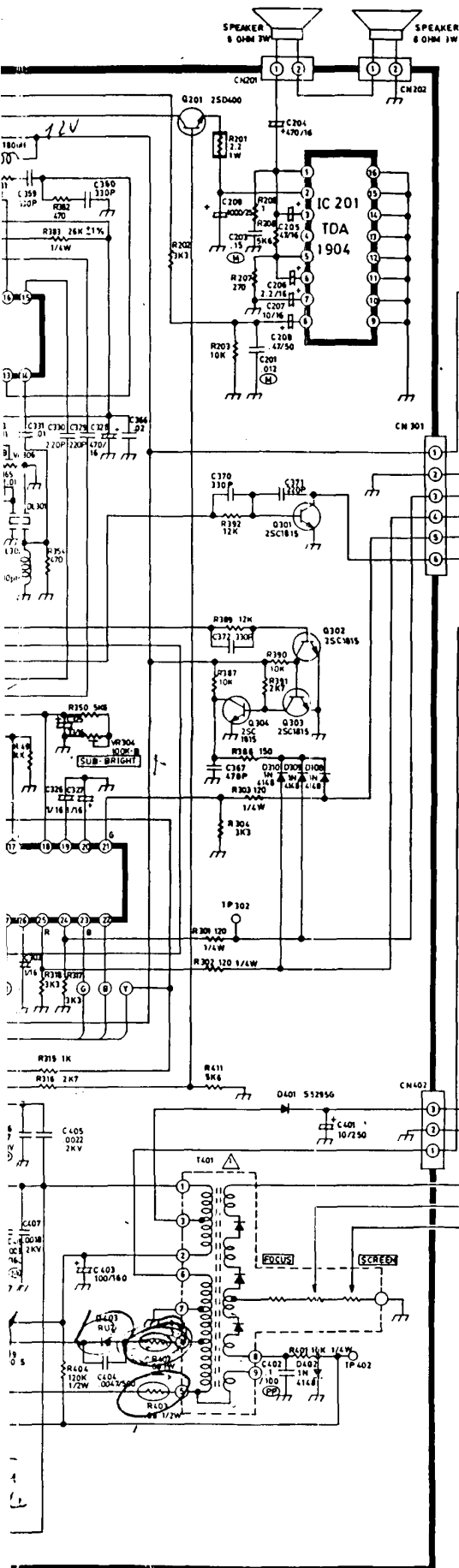


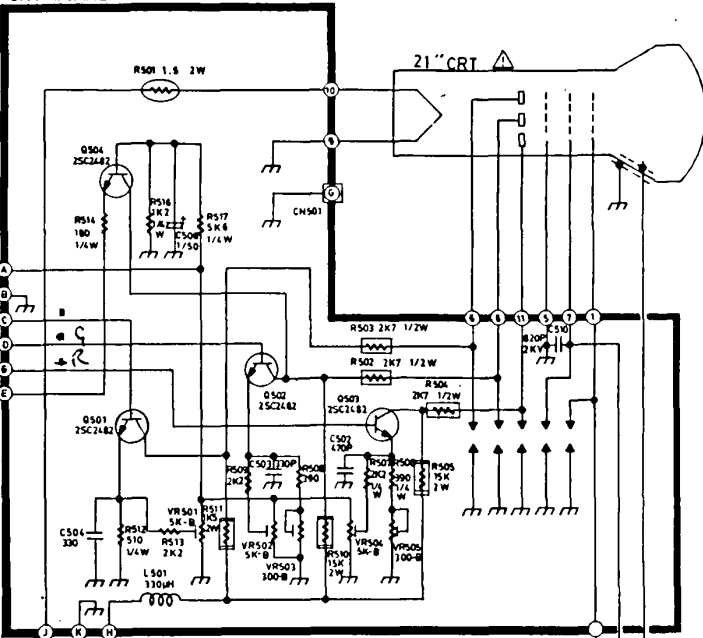
CRT BOARD

HANDSET BOARD

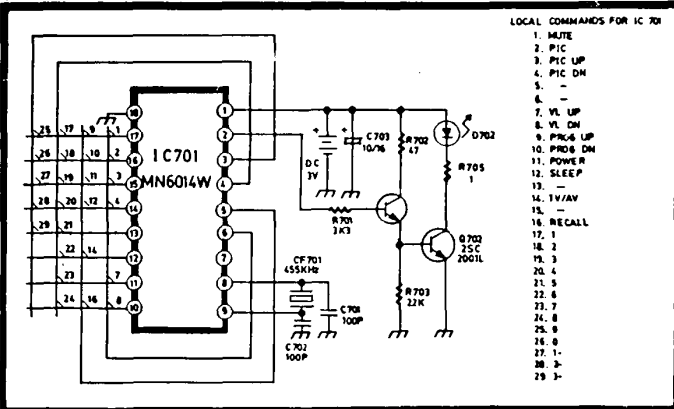
- NOTE**
- (1) ALL CAPACITORS ARE IN μ F UNLESS OTHERWISE SPECIFIED.
 - (2) CAPACITORS NOT SPECIFICALLY IDENTIFIED ARE CERAMIC CAPACITORS.
 - (3) ELECTROLYTIC CAPACITORS ARE IDENTIFIED BY THE LETTER 'E'.
 - (4) BI-POLAR ELECTROLYTIC CAPACITORS ARE IDENTIFIED BY THE LETTER 'B'.
 - (5) TANTALUM CAPACITORS ARE IDENTIFIED BY THE LETTER 'T'.
 - (6) METAL FILM CAPACITORS ARE IDENTIFIED BY THE LETTER 'M'.
 - (7) METALIZED POLYESTER CAPACITORS ARE IDENTIFIED BY THE LETTER 'P'.
 - (8) POLYESTER FILM CAPACITORS ARE IDENTIFIED BY THE LETTER 'F'.
 - (9) POLYPROPYLENE CAPACITORS ARE IDENTIFIED BY THE LETTER 'PP'.
 - (10) ALL RESISTORS ARE IN OHMS UNLESS OTHERWISE SPECIFIED.
 - (11) RESISTORS NOT SPECIFICALLY IDENTIFIED ARE CARBON FILM RESISTORS.
 - (12) NON-FAMBLE RESISTORS ARE IDENTIFIED BY THE LETTER 'N'.
 - (13) METAL OXIDE RESISTORS ARE IDENTIFIED BY THE LETTER 'MO'.
 - (14) CEMENT RESISTORS ARE IDENTIFIED BY THE LETTER 'C'.
 - (15) FUSEBLE RESISTORS ARE IDENTIFIED BY THE LETTER 'F'.
 - (16) THERMISTORS ARE IDENTIFIED BY THE LETTER 'T'.
- (17) DC VOLTAGE ARE MEASURED INDICATED TO THE CIRCUIT BY THE LETTER 'V'.
- (18) WAVEFORMS ARE TAKEN WITH A DIGITAL MULTIMETER TEST POINT TO A NORMAL CONDITIONS.
- (19) THIS CIRCUIT DIAGRAM IS SUBJECT TO CHANGE WITHOUT PRIOR NOTICE.
- (20) ON THE SCHEMATIC SHOULD BE IDENTIFIED WITH EXACT MANUFACTURER'S PARTS.



CRT BOARD



HANDSET BOARD



- LOCAL COMMANDS FOR IC 701**
1. MUTE
 2. PIC UP
 3. PIC UP
 4. PIC DN
 5. -
 6. -
 7. VL UP
 8. VL DN
 9. PRG UP
 10. PRG DN
 11. POWER
 12. SLEEP
 13. -
 14. 1VAV
 15. RECALL
 16. 1
 17. 1
 18. 2
 19. 3
 20. 4
 21. 5
 22. 6
 23. 7
 24. 8
 25. 9
 26. 0
 27. 1
 28. 2
 29. 3

- NOTE**
- (1) ALL CAPACITORS ARE IN μ F UNLESS OTHERWISE NOTE
 - (2) CAPACITORS ARE 50V UNLESS OTHERWISE NOTE D
 - (3) CAPACITORS NOT SPECIFICALLY DESIGNATED ARE CERAMIC CAPACITORS
- ELECTROLYTIC CAPACITOR
 - BI-POLAR ELECTROLYTIC CAPACITOR
 - TANTALUM CAPACITOR
 - MICA CAPACITOR
 - METALLIZED POLYESTER
 - POLYESTER FILM CAPACITOR
 - POLYPROPYLENE CAPACITOR
- (4) ALL RESISTORS ARE IN OHM UNLESS OTHERWISE NOTED
 - (5) RESISTORS NOT SPECIFICALLY DESIGNATED ARE CARBON FILM RESISTORS
- NONFLAMMABLE RESISTOR
 - METAL OXIDE RESISTOR
 - CEMENT RESISTOR
 - FUSEBLE RESISTOR
 - THERMISTOR

- (6) DC VOLTAGE ARE MEASURED FROM POINTS INDICATED TO THE CIRCUIT GROUND WITH A DIGITAL MULTIMETER (TEST)
- (7) WAVEFORMS ARE TAKEN WITH SETTING CONTROLS TO A NORMAL CONDITIONS (COLOUR BAR PATTERN)
- (8) THIS CIRCUIT DIAGRAM IS SUBJECT TO CHANGE WITHOUT PRIOR NOTICE
- (9) ON THE SCHEMATIC SHOULD BE REPLACED WITH EXACT MANUFACTURER RECOMMENDED PARTS

ART-TECH VIDEO ENGINEERING LTD			
TITLE	SCHEMATIC DIAGRAM		
MODEL	GT-8821	SYSTEM	PAL-SECAM LV
DRAW NO	882106-01	COUNTRY	FR. CABLE TV
DATE	20-06-91	REV NO	