

REMARK:

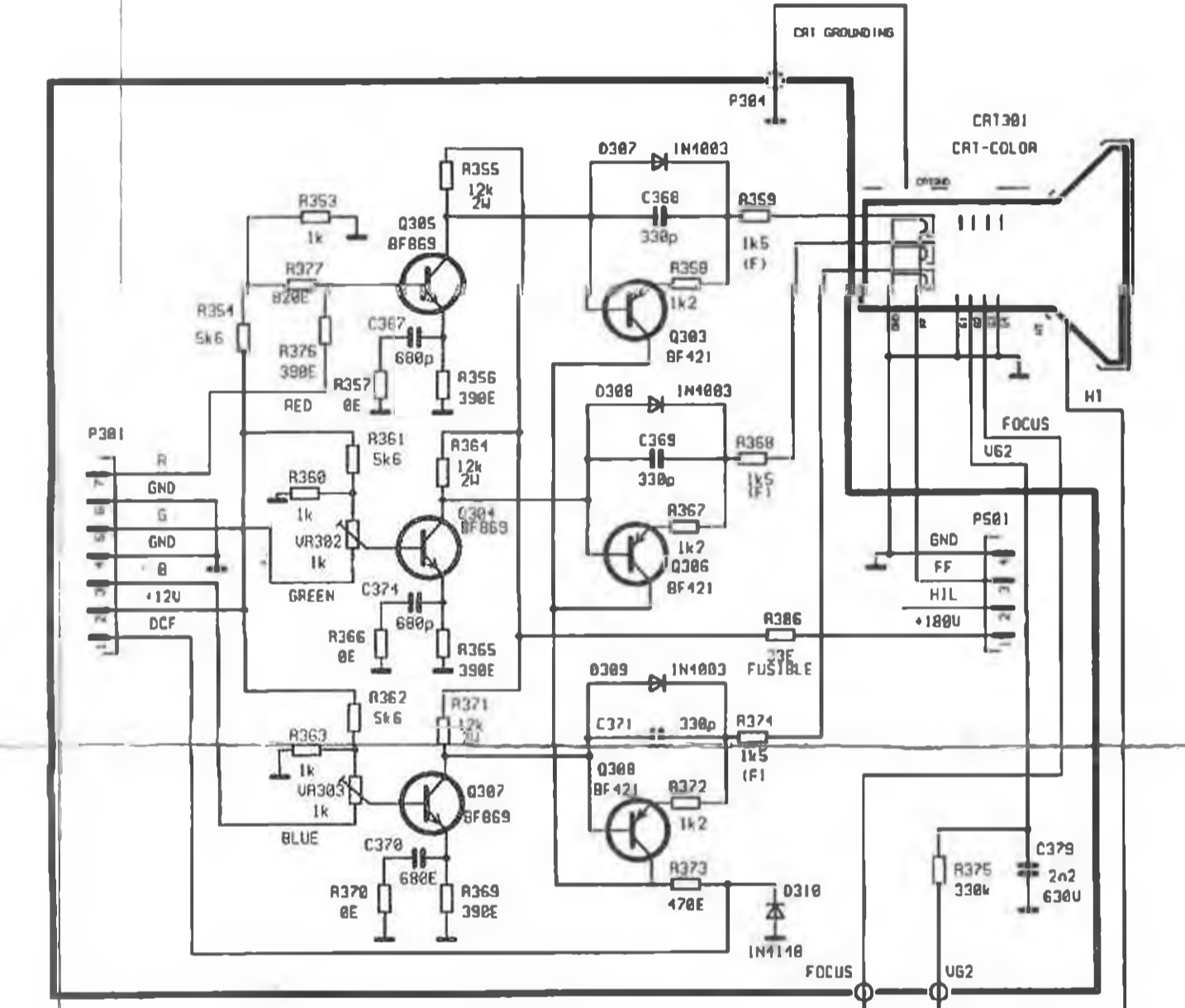
CONTROL RANGE TABLE

	MIN.	MAX.	CENTER
CONT.	2.8U	4.0U	.
BRI.	0.9U	2.4U	.
SAT	2.1U	3.3U	.
HUE	1.5U	3.9U	2.8U

	R0	R1	R2
PCF8581	7b	8a	9b
PCF8582	7a	8b	9b

SCHEMATIC NOTES:

- RESISTANCE IS SHOWN IN OHMS $R=1.000$
 $M=1.000.000$
- CAPACITANCE IS SHOWN IN μF nF pF
T TANTALUM CAPACITOR
M FILM CAPACITOR
- STANDARD FILM RESISTOR (SFR25)
- VOLTAGE READ WITH DIGITAL VOLTMETER FROM POINT INDICATED TO CHASSIS GROUND USING A NORMAL PICTURE
- VOLTAGE READINGS SHOWN ARE NORMAL VALUES AND MAY VARY $\pm 20\%$ (EXCEPT H.U.)
- SCHEMATIC SUBJECT TO CHANGE WITHOUT NOTICE



TUNING STEP DELAY	PIN16	PIN17
40 ms	OFF	ON
52 ms	OFF	OFF
61 ms	ON	OFF
83 ms	ON	ON

"OFF - OPTION DIODE ABSENT"
"ON - OPTION DIODE PRESENT"

AXXION

SCHEMAT IDEOWY OTVC 20", 21"

RC4020, RC4120, RC4021