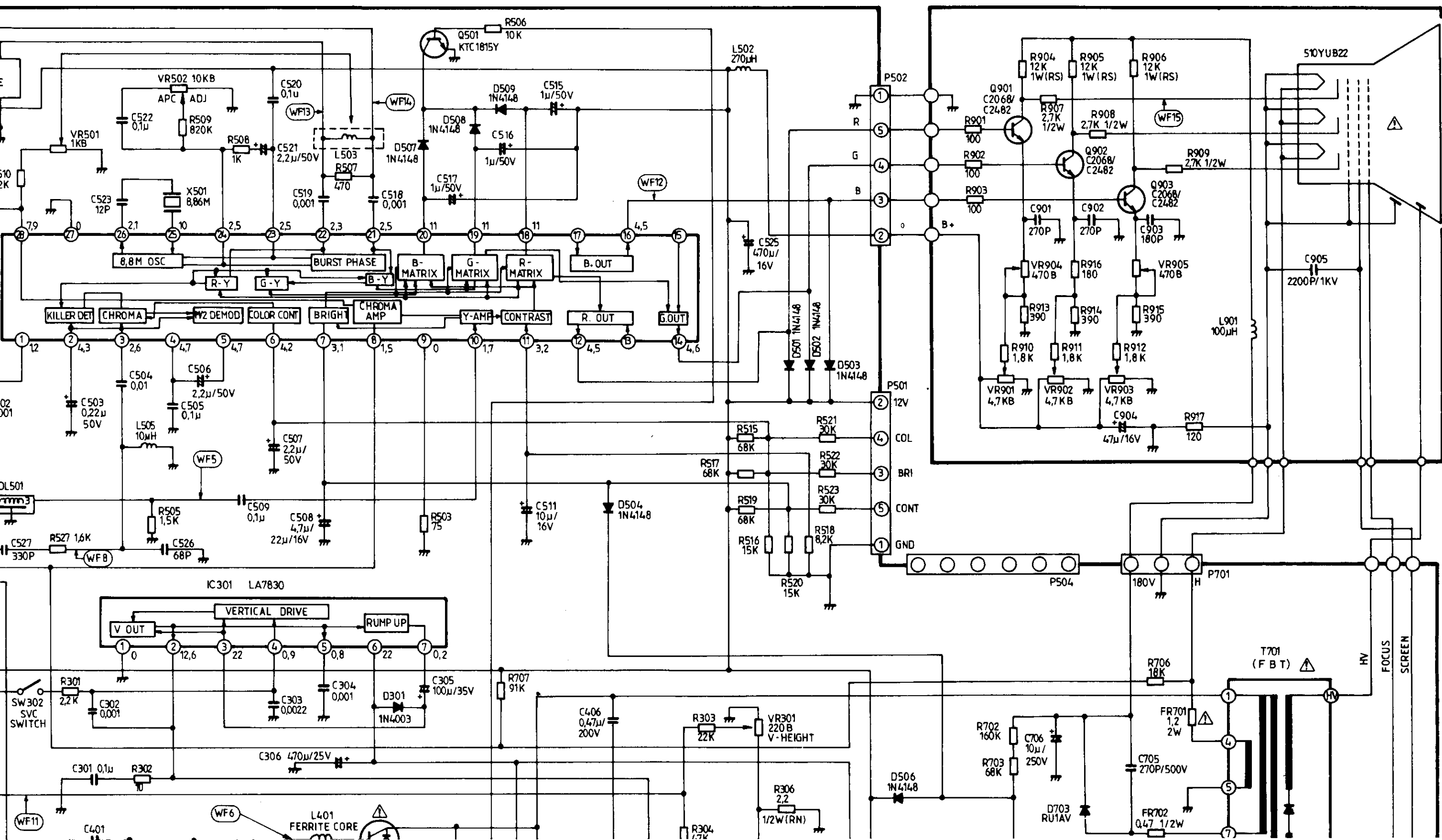
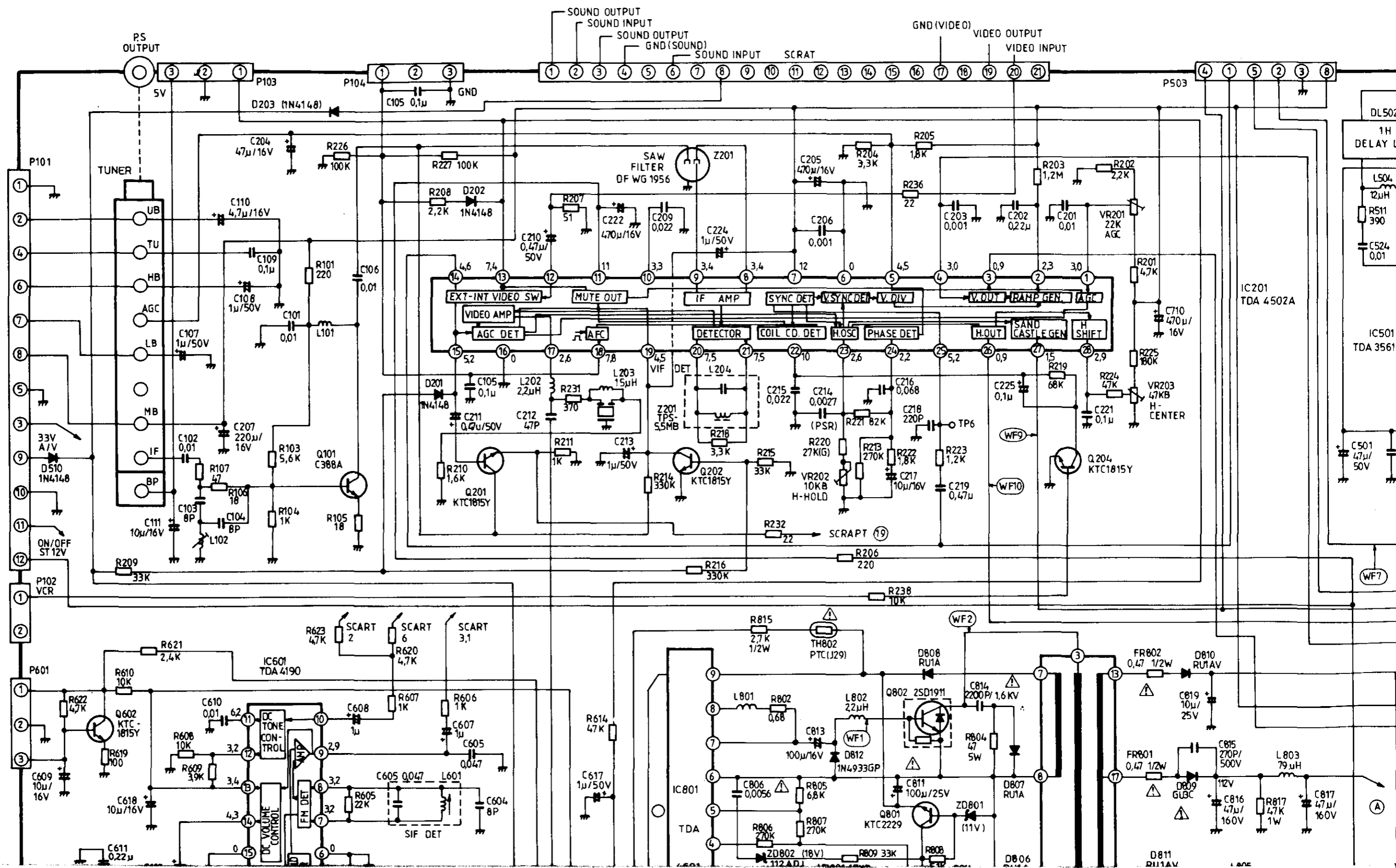


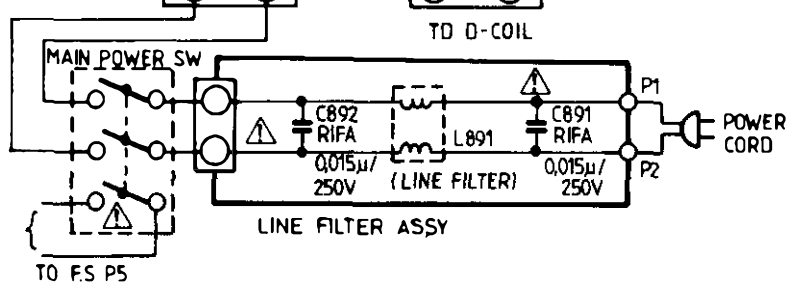
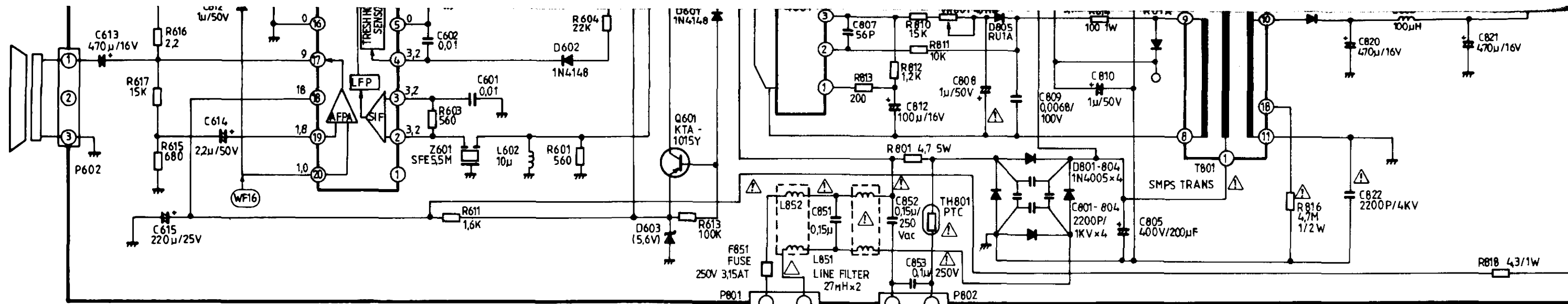
OBSERVATION OF VOLTAGES AND WAVEFORMS

1. Voltages read with VTVM from point shown to chassis ground, line voltage 180-270V volts colour bar signal.
2. Voltages reading may vary  $\pm 20\%$ .
3. The schematic shown is representative only.
4. All waveforms are taken using a wide band oscilloscope and a low capacity probe.
5. Check FINE TUNING, AGC, BRIGHTNESS, CONTRAST and COLOUR controls for best picture, make sure that CONTRAST and COLOUR controls are in mid position and BRIGHTNESS control is almost in maximum position.
6. Waveforms are taken using a standard colour bar signal.

chassis: PC-07X2, DDR  
 CBT-9282E/9562E/9565E

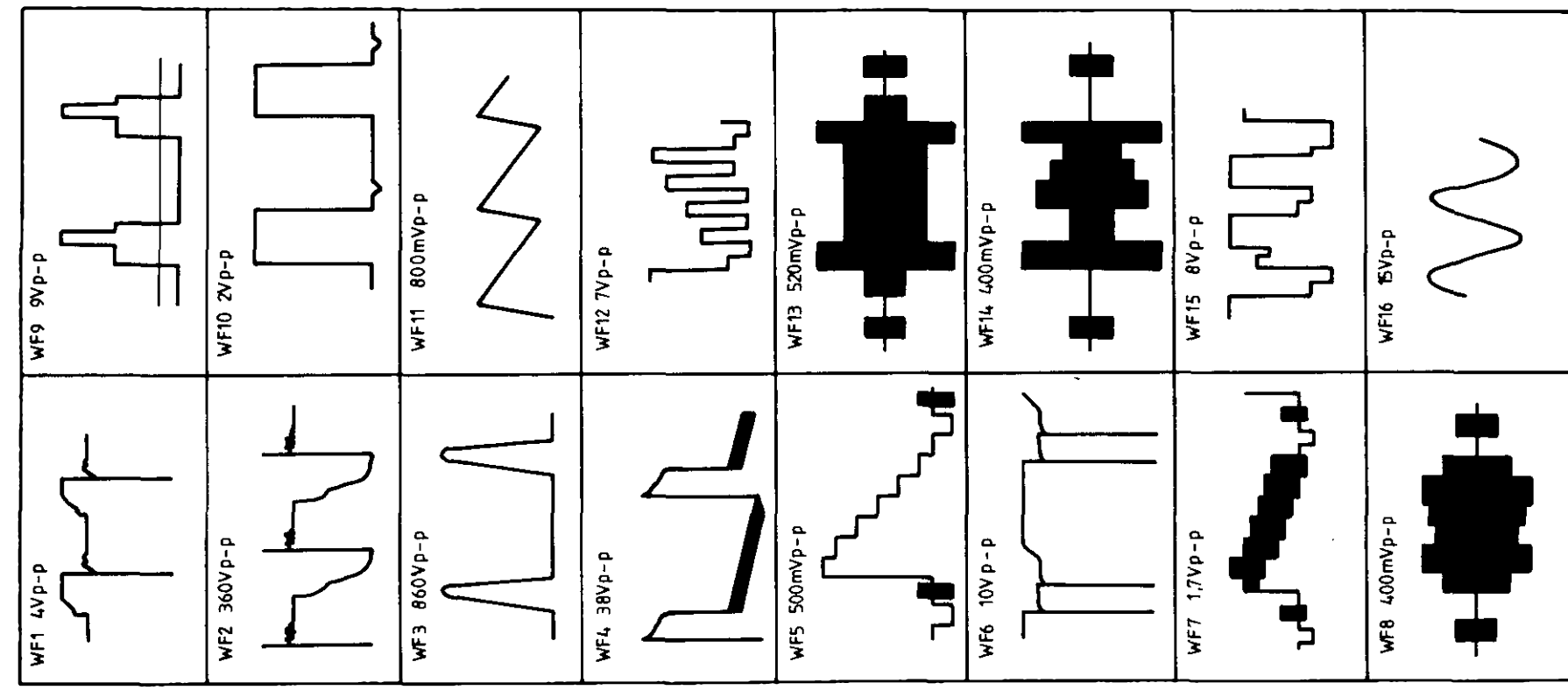


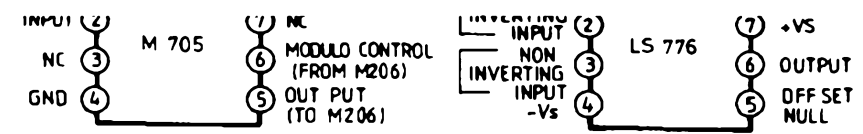
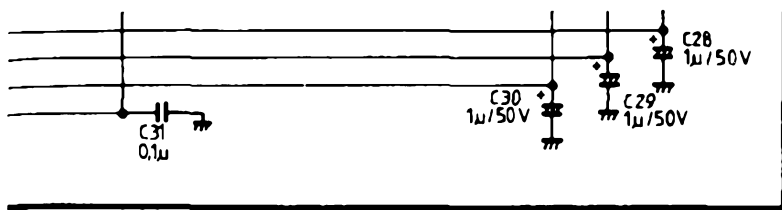




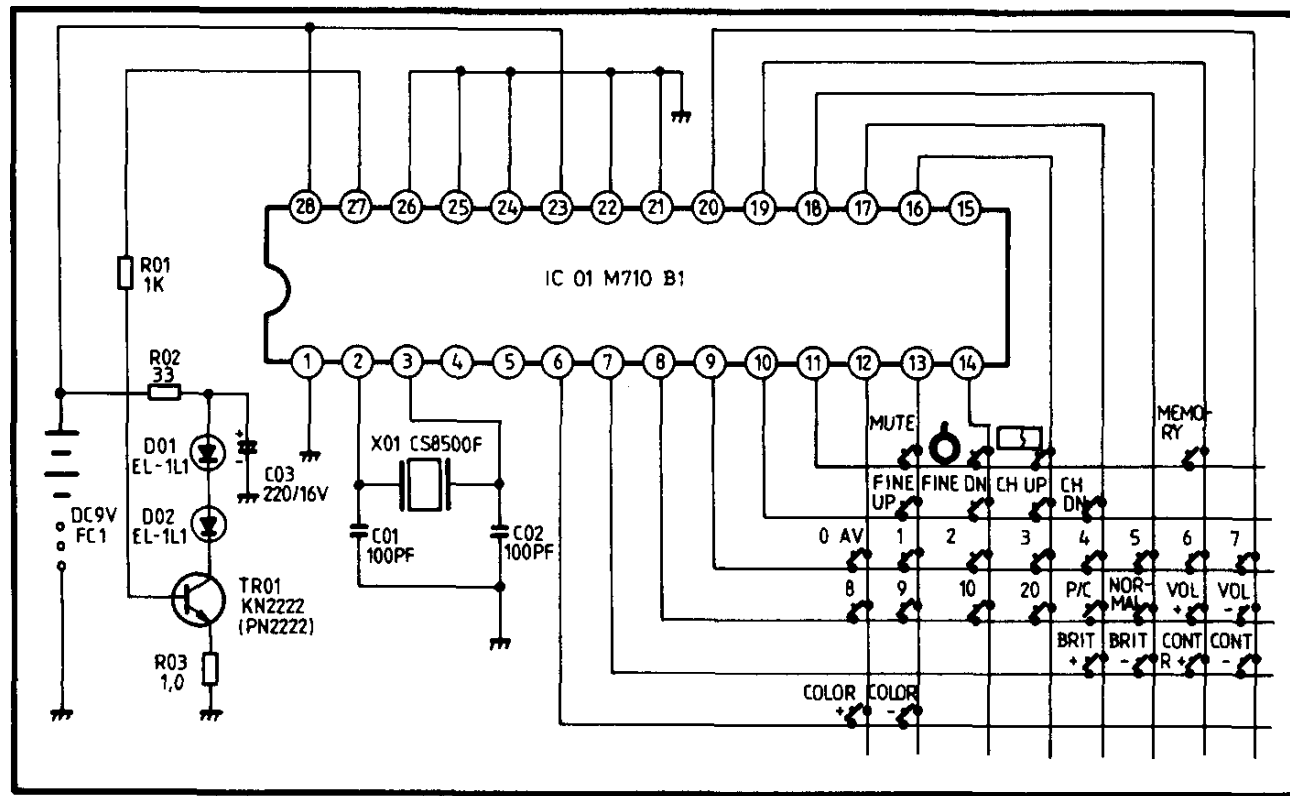
- VALUE OF RESISTOR, CAPACITOR and INDUCTOR
- 1 Resistance is shown in ohm, k = 1,000, M = 1,000,000
  - 2 Unless otherwise noted in schematic, all capacitor values less than 1 are expressed in mF and the values more than 1 in pF.
  - 3 Unless otherwise noted in schematic, all inductor values more than 1 are expressed in uH, and the values less than 1 in H.

NOTICE  
 Since this is a basic circuit diagram.  
 The value of components and some partical connection  
 are subject to be changed for improvement.

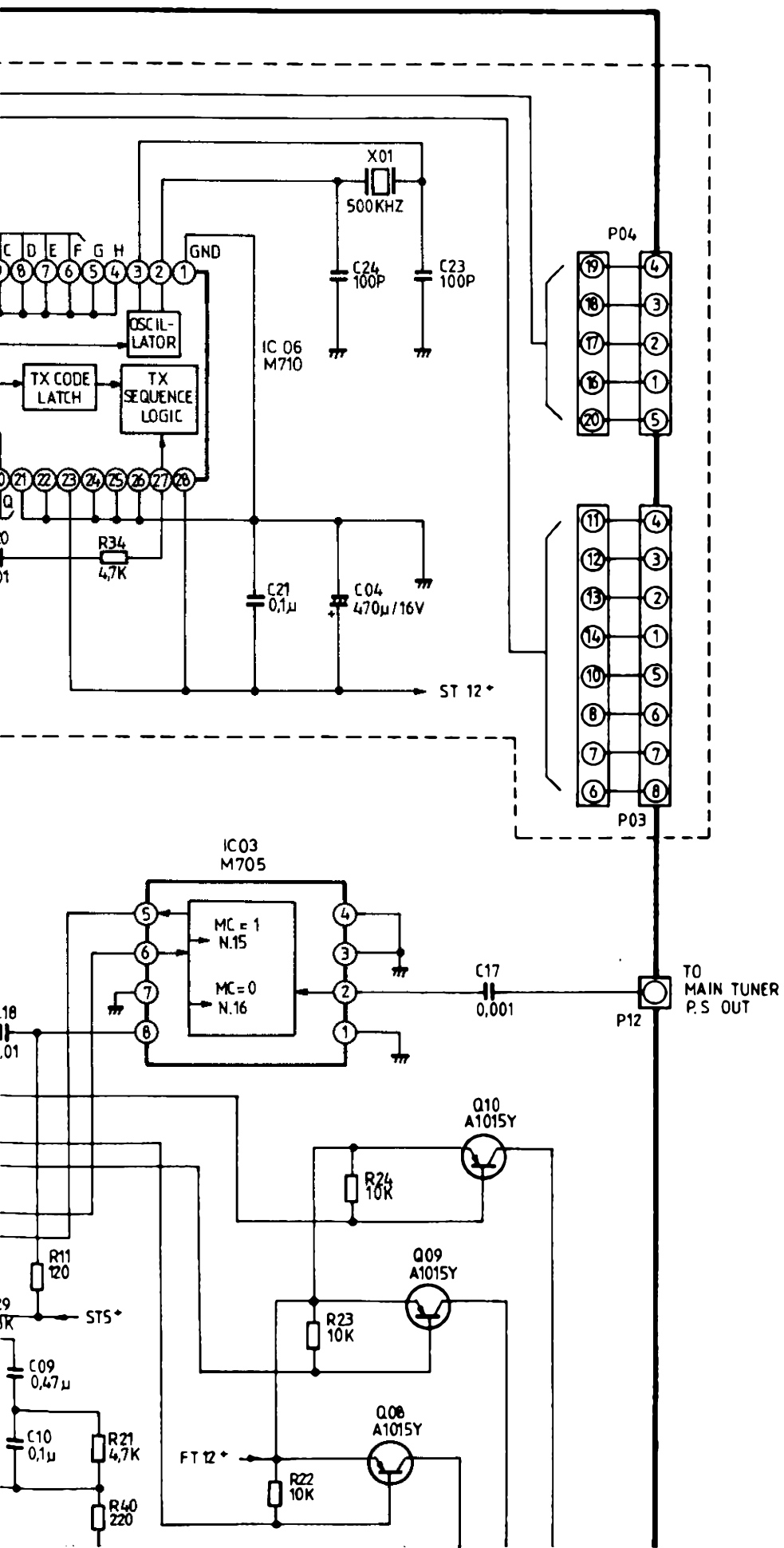




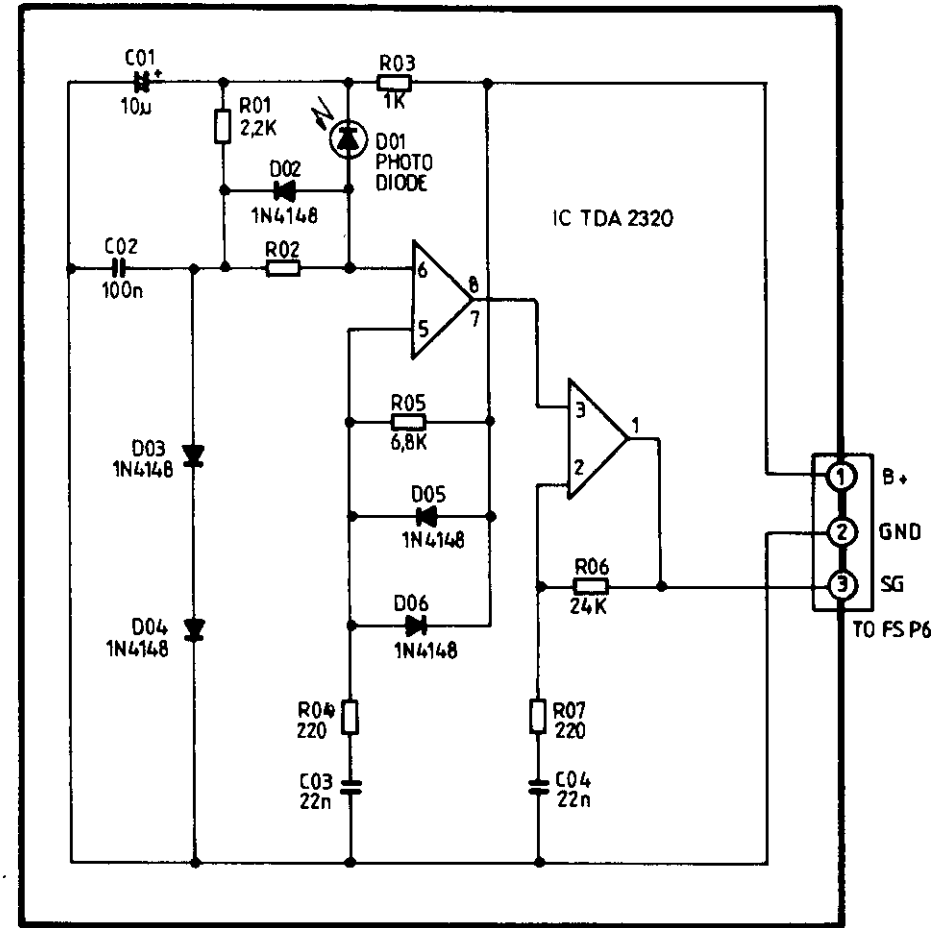
TX



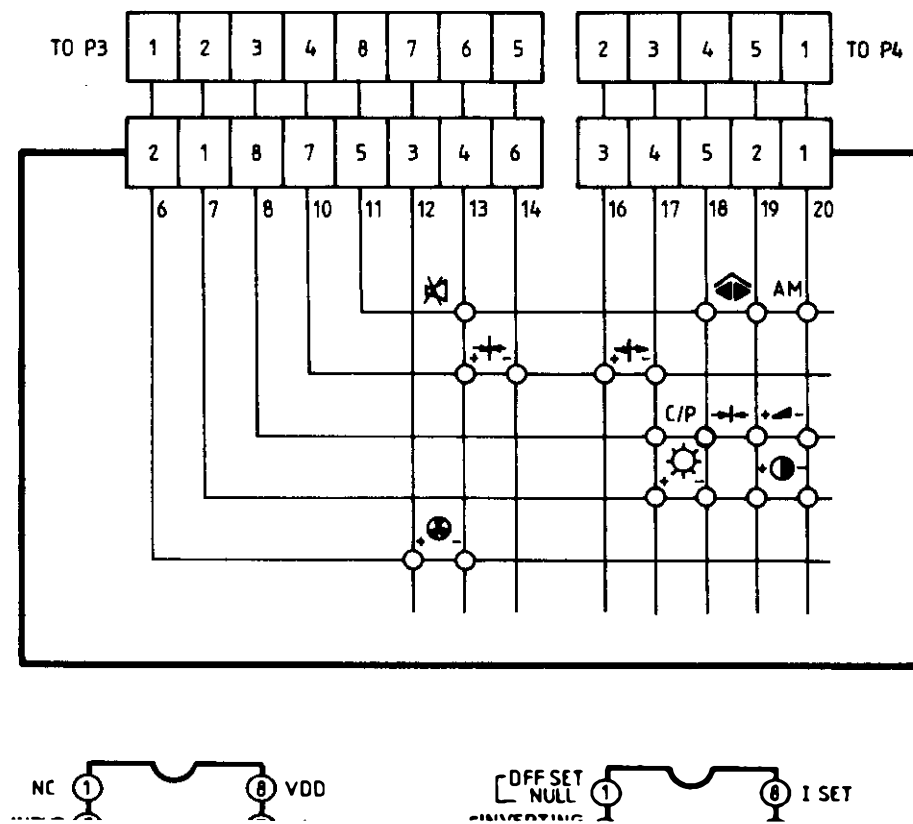
chassis: PC-07X2,DDR  
 CBT-9282E/9562E/9565E



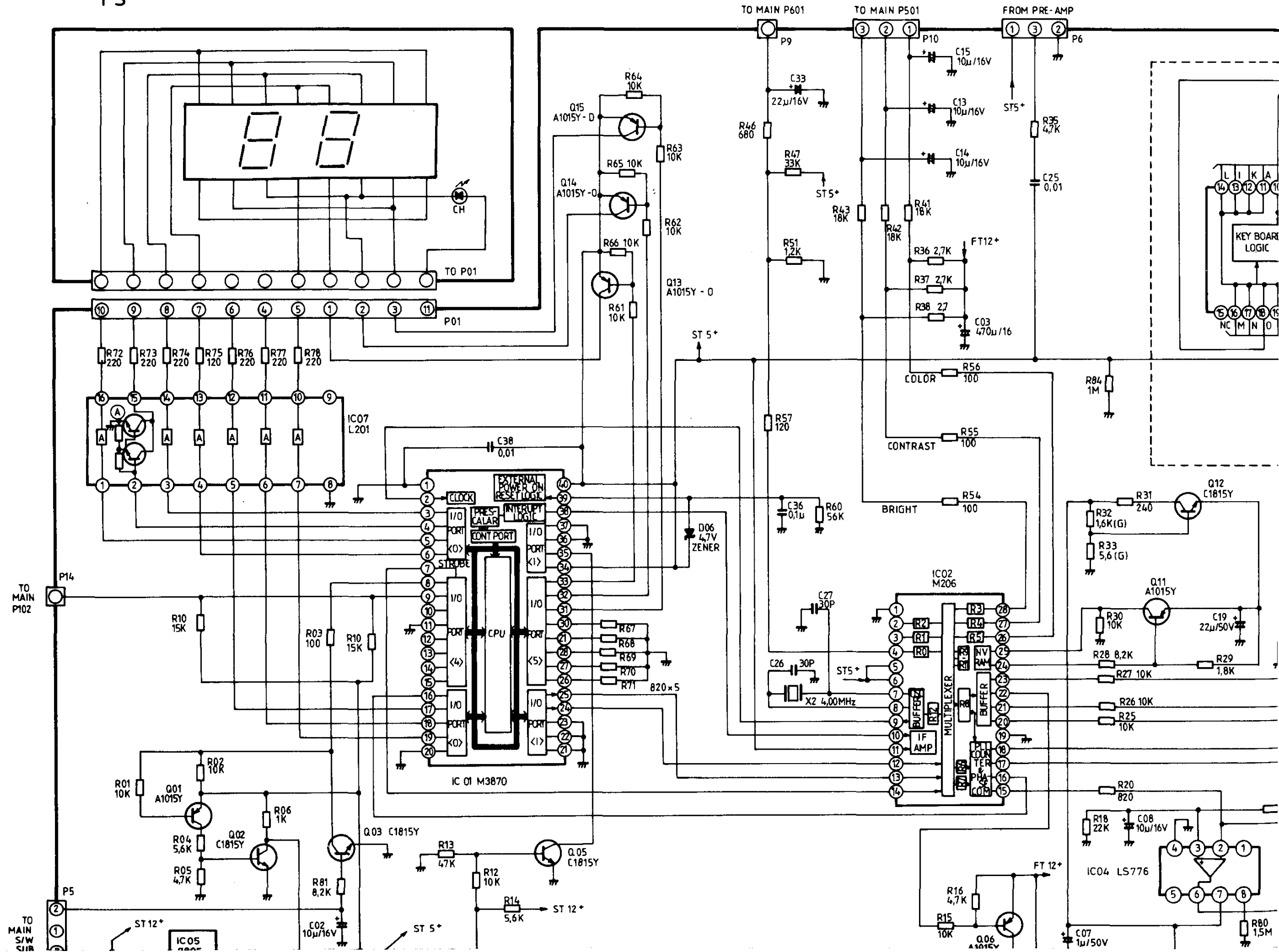
PRE - AMP



LOCAL FUNCTION KEY



FS





### SECAM - PAL TRANSCODER

