

# GRUNDIG

## CUC 6300

Athen T 1655 text

P 37-060

P 40-060

P 37-640 text

P 40-640 text

Steeler

42-060

40 text

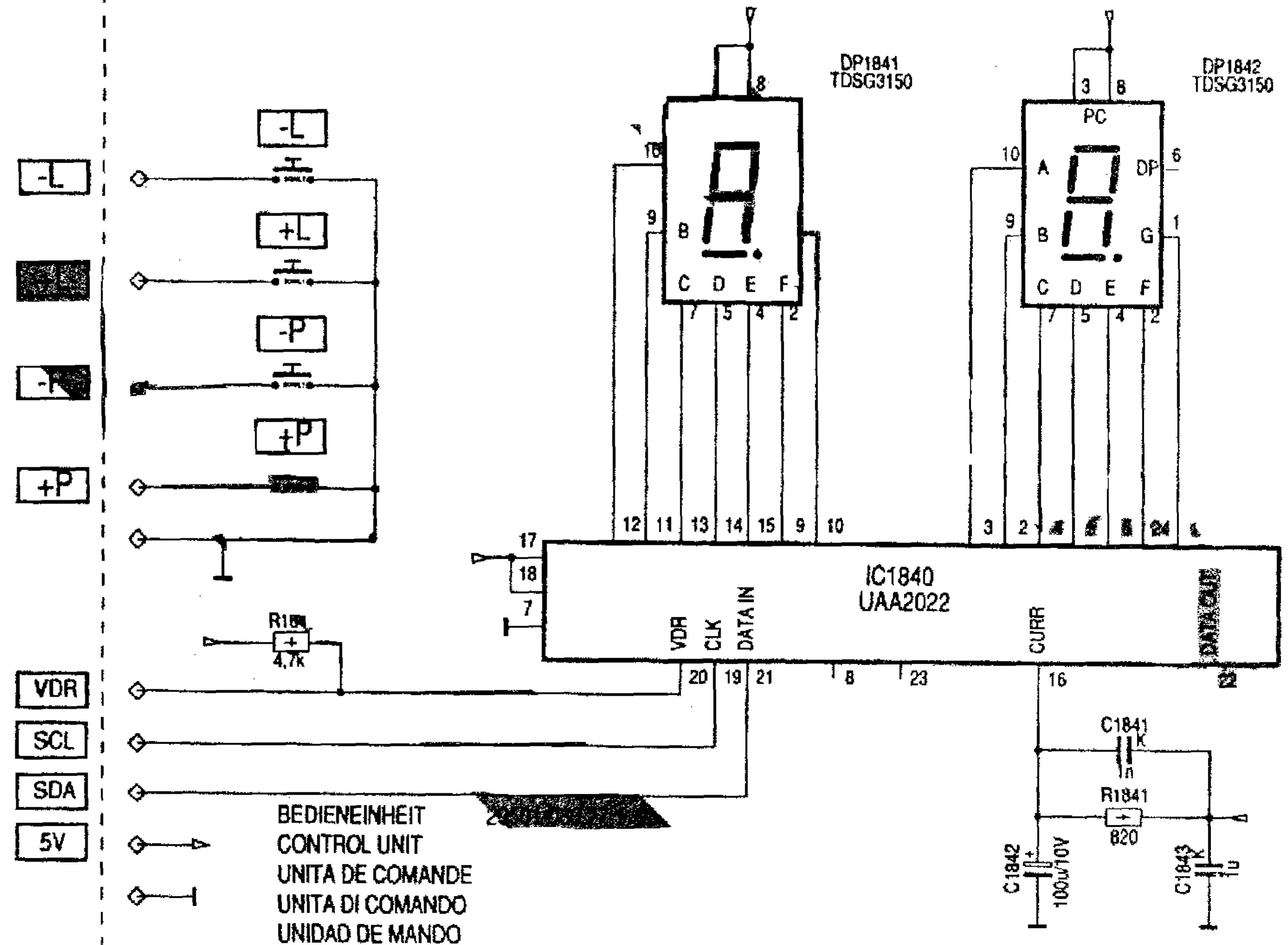
181A

T 55-640 text

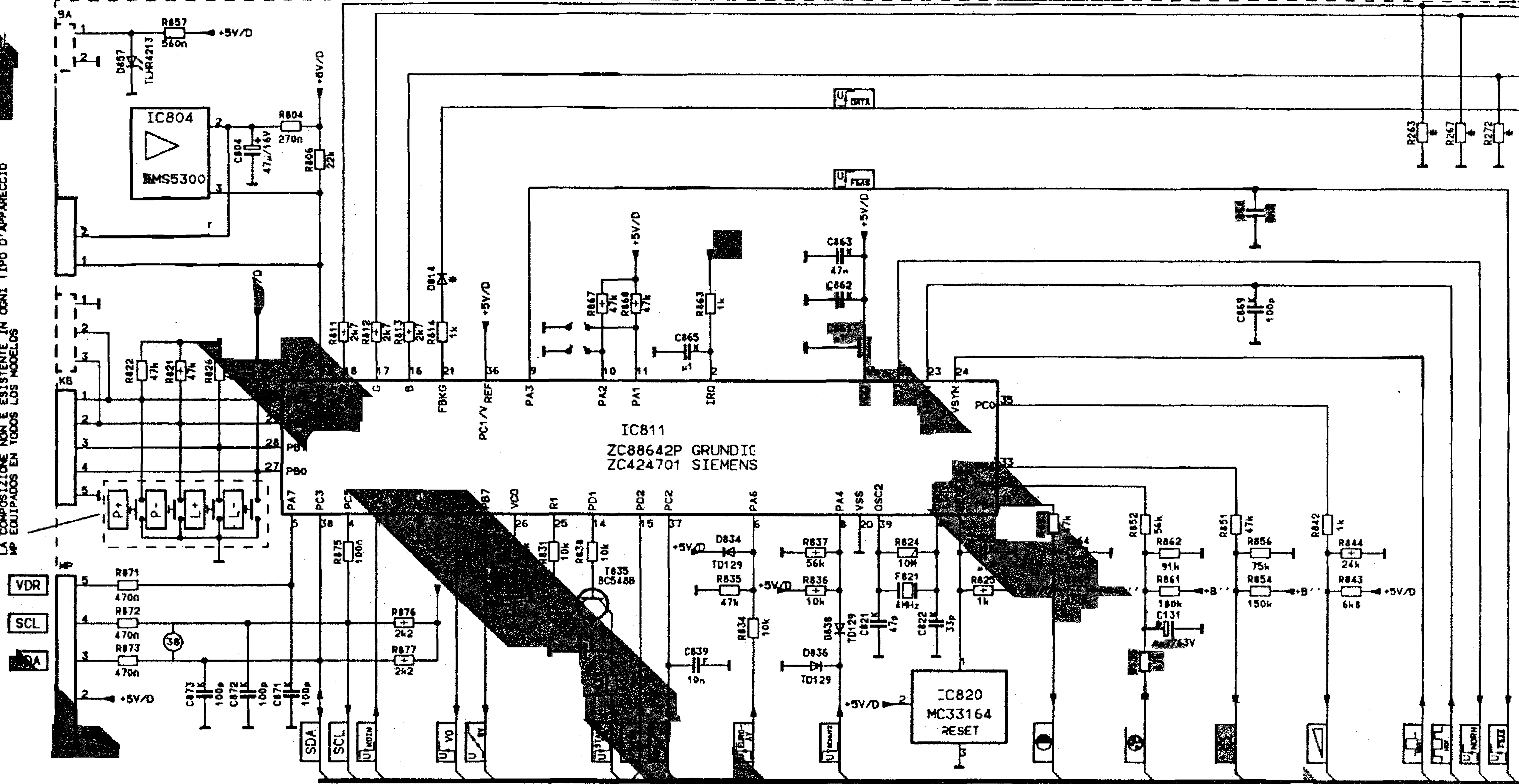
T 55-640

T 55-640

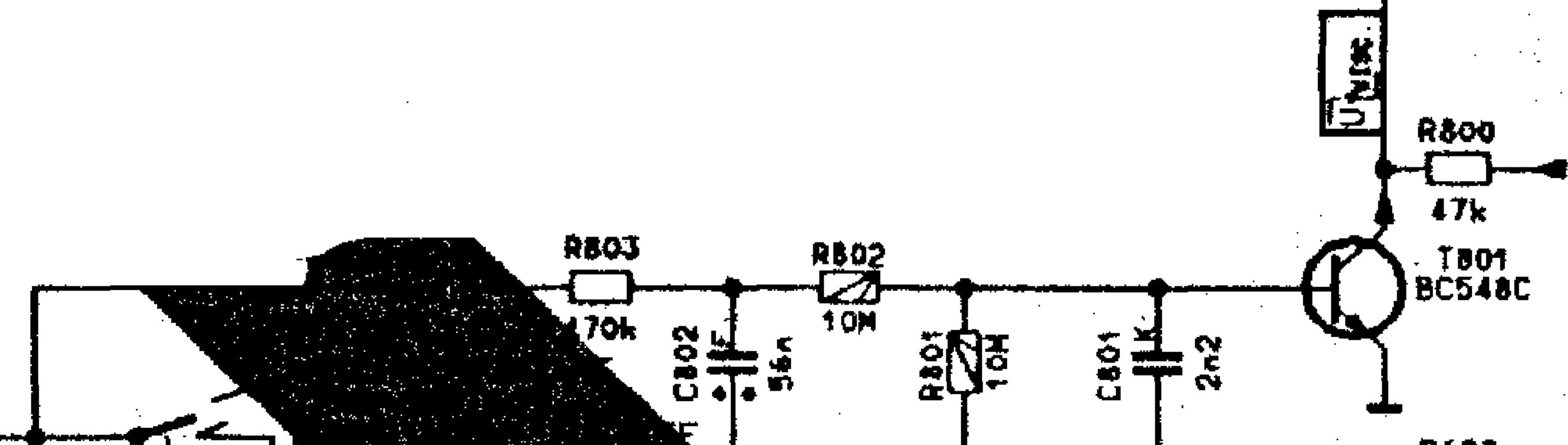
P 50-640 text



NICHT BEI ALLEN TYPEN BESTUECKT  
 NOT FITTED TO ALL TYPES OF TV'S  
 N'EST PAS INCORPORÉ A TOUS LES MODELES TV  
 LA COMPOSIZIONE NON È ESISTENTE IN OGNI TIPO D'APPARECCHIO  
 MP EQUIPADOS EN TODOS LOS MODELOS



- co 2 4V
- co 2 4V
- co 2 4V
- co 0 5V
- co 0 12V



UNITEXT	R270	R231	R232	C233	D233	R242	R246	C271	BR262	R263	R267	R272	R276	R277	D277	L270	C243
EUROTEXT	6k8	—	—	270p	88531	10k	33k	—	—	—	—	—	1k2	2k7	1N4148	—	1k
EUROTEXT HEBRAE	—	—	15k	10n	—	—	—	39p	—	—	—	2k2	2k4	220n	—	—	100V
OHNE VIDEOTEXT	—	—	15k	10n	—	—	—	39p	—	—	—	2k2	2k4	220n	—	—	1

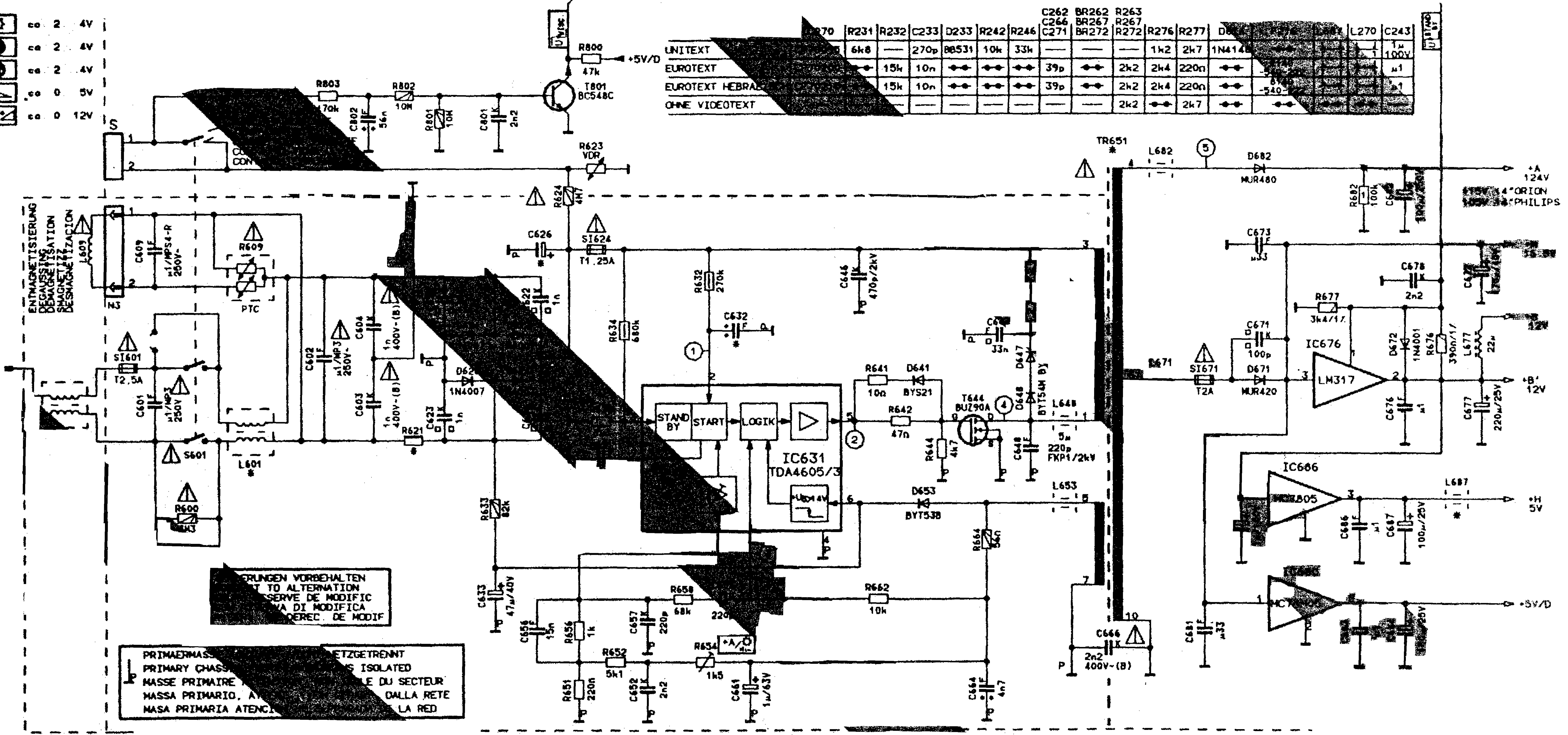
- R 2 4V
- R 2 4V
- R 2 4V
- R 0 5V
- R 0 12V

	R20	R231	R232	C233	D233	R242	R246	C262	BR262	R263	R276	R277	D277	L270	C243
UNITEXT	6k8	—	270p	B8531	10k	33k	—	—	—	1k2	2k7	1N4148	—	—	1μ
EUROTEXT	—	15k	10n	—	—	—	—	39p	—	2k2	2k4	220n	—	—	100V
EUROTEXT HEBRAE	—	15k	10n	—	—	—	—	39p	—	2k2	2k4	220n	—	—	μ1
OHNE VIDEOTEXT	—	—	—	—	—	—	—	—	—	2k2	—	2k7	—	—	—

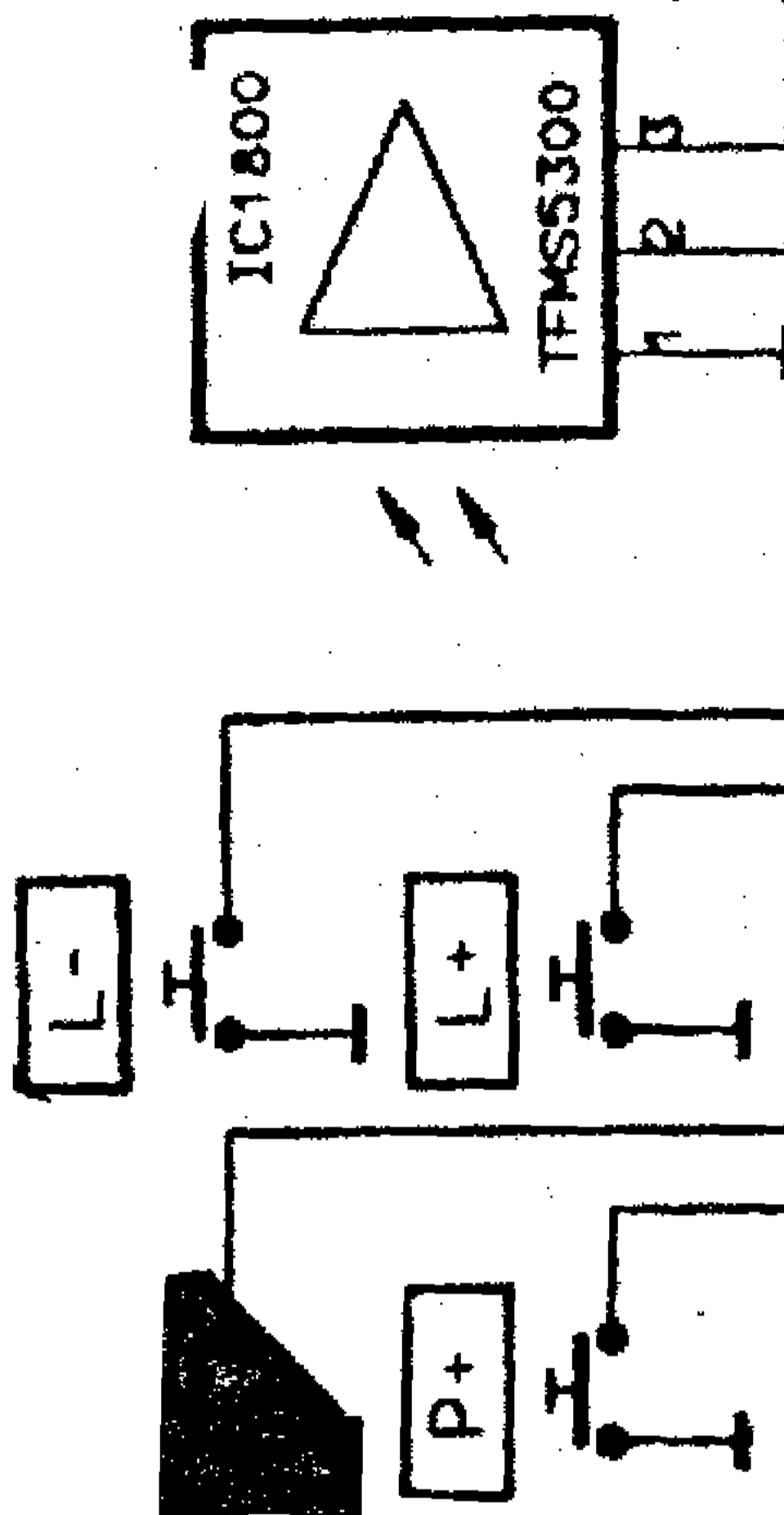
ENTMAGNETISIERUNG  
DEGAUSSING  
DEMAGNETISATION  
DES MAGNETISATION  
DESMAGNETIZATION

ÄNDERUNGEN VORBEHALTEN  
RESERVE TO ALTERNATION  
RESERVE DE MODIFIC  
RESERVA DI MODIFICA  
RESERVA DE MODIF

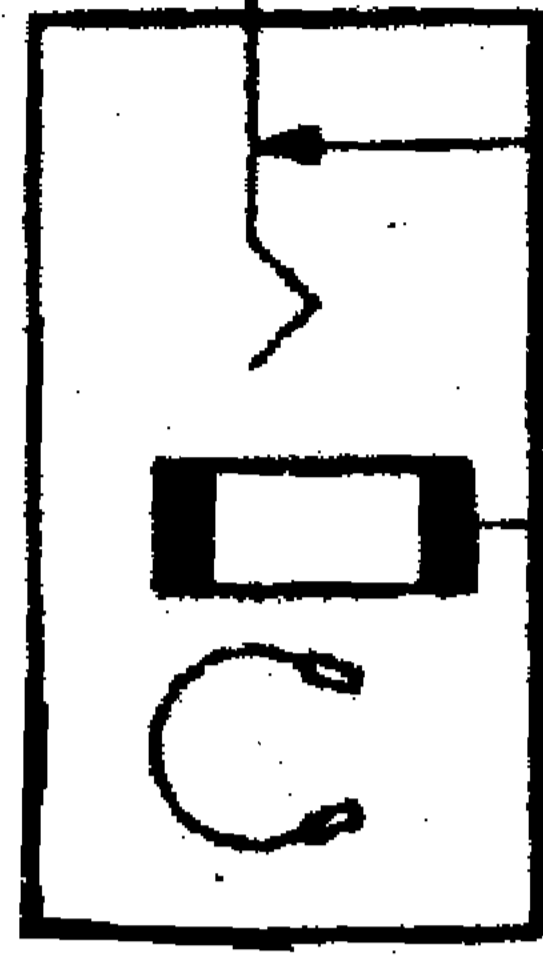
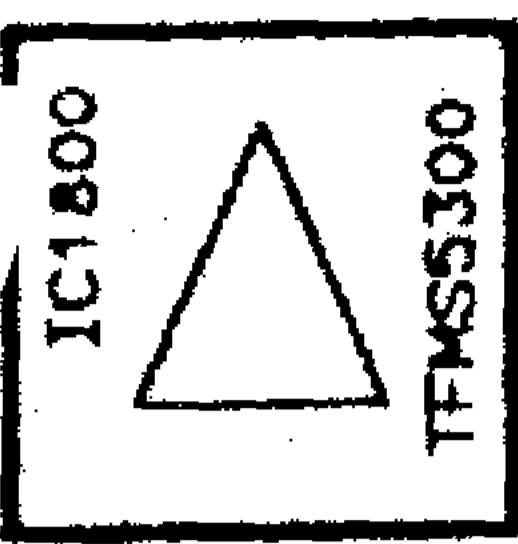
PRIMAERMASS ISOLIERUNG VON NETZGETRENNT  
PRIMARY CHASSIS ISOLATED FROM MAINS ISOLATED  
MASSE PRIMARE ISOLIERUNG VON DER LE DU SECTEUR  
MASSA PRIMARIO, ISOLAZIONE DALLA RETE  
MASA PRIMARIA ATENCION DE LA RED



+A 124V  
ORION  
PHILIPS

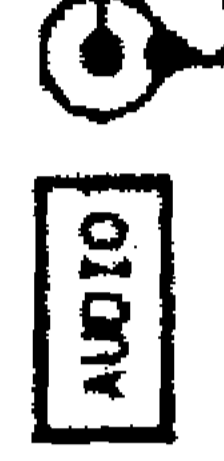
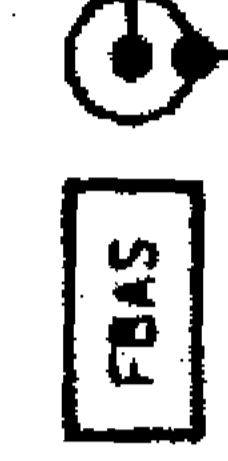


10810



C1822  
3m3

R1822  
120n



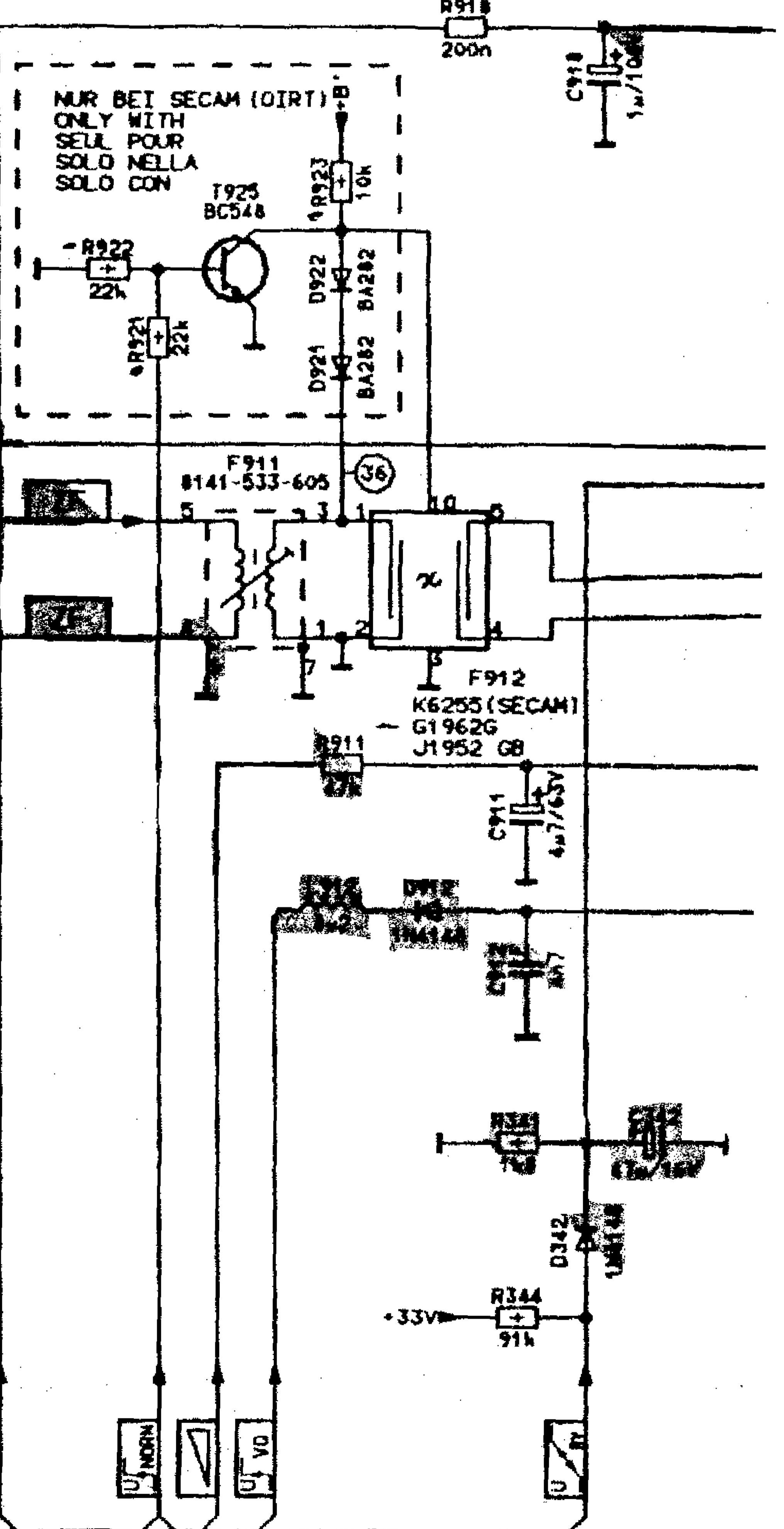
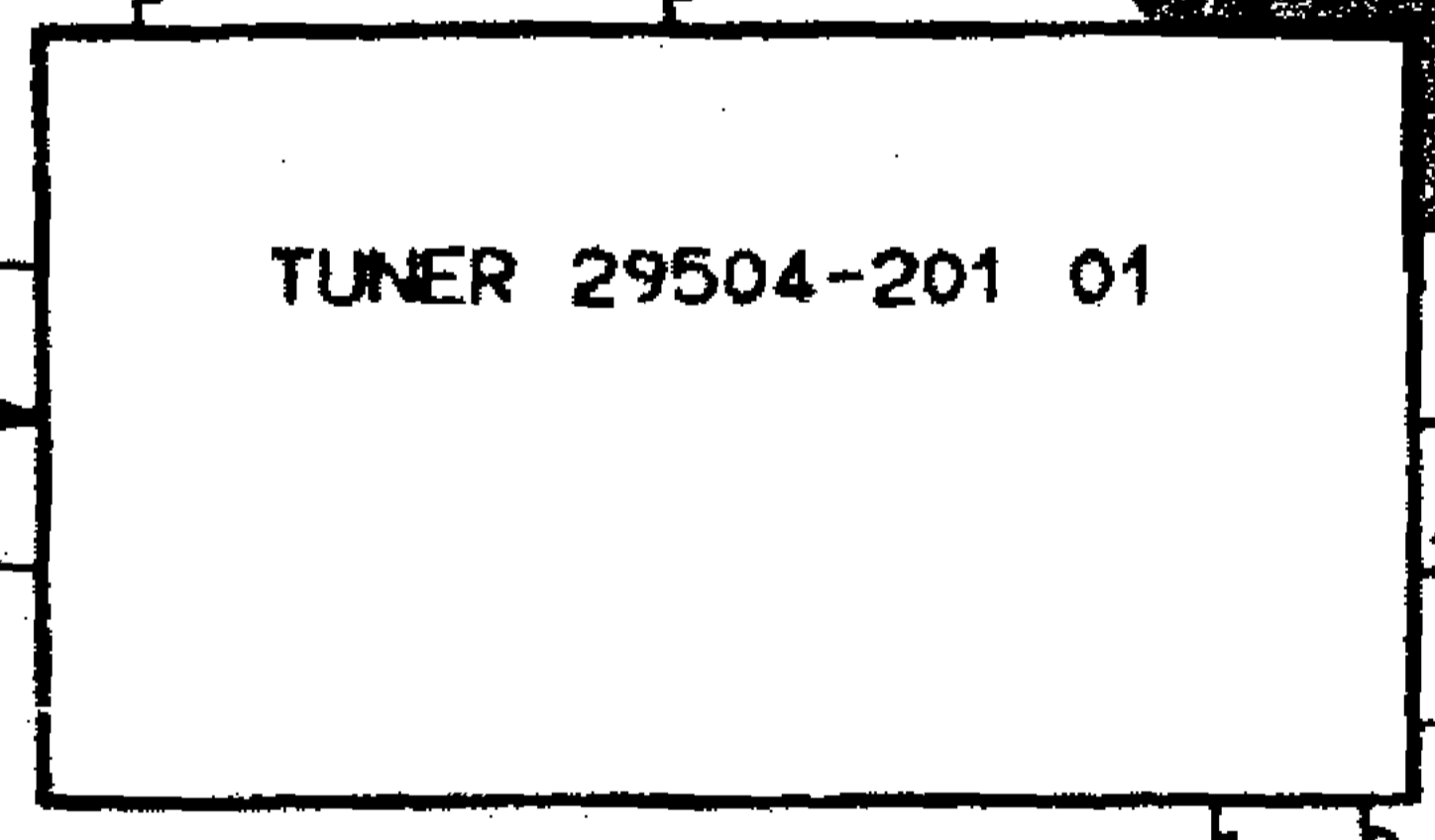
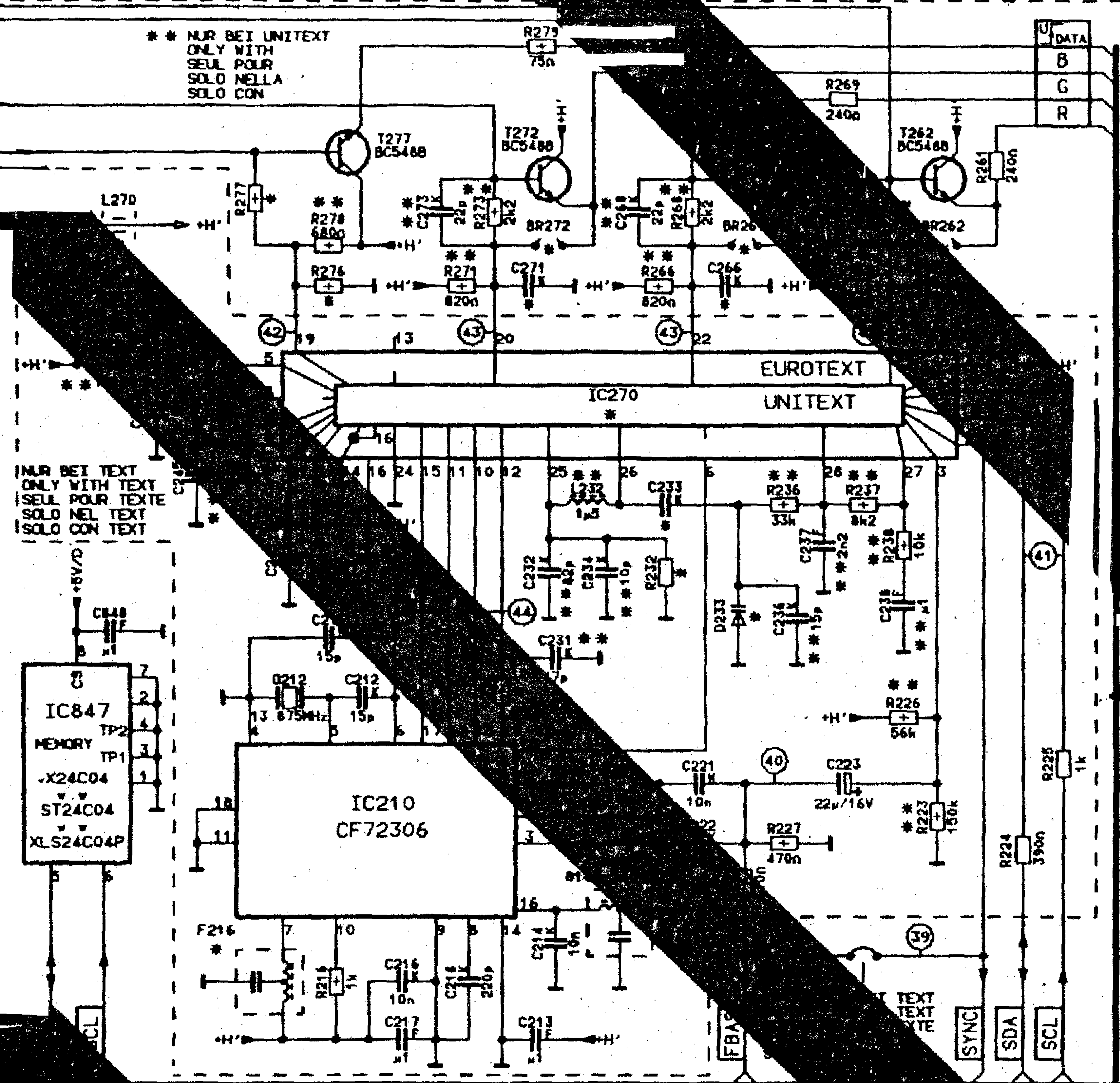
75n  
470p  
R1824  
C1824

BED - EINFACH  
CONTROL UNIT  
UNITA DE CONTROLO  
UNITA DE CONTROL  
UNIDAF

\*\* NUR BEI UNITEXT  
ONLY WITH  
SEUL POUR  
SOLO NELLA  
SOLO CON

INR BEI TEXT  
ONLY WITH  
SEUL POUR  
SOLO NELLA  
SOLO CON

NUR BEI SECAM (OIRT)  
ONLY WITH  
SEUL POUR  
SOLO NELLA  
SOLO CON



DATA  
B  
G  
R

SDA R228 VALUE  
SCL R229 VALUE

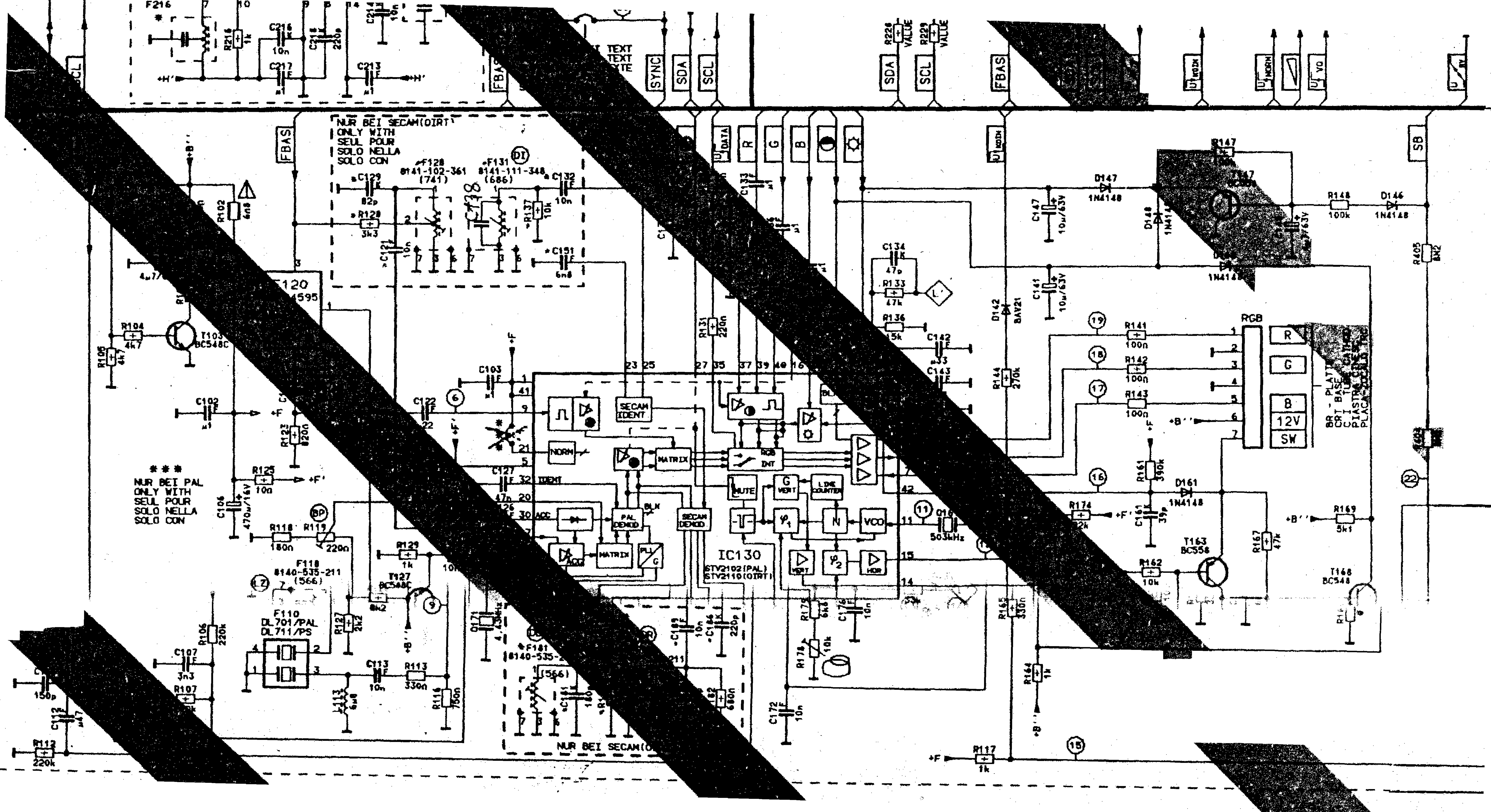
FBAS

U1808N  
U1808N  
U1808N

+33V

U1808N

8B



NUR BEI SECAM (OIRT)  
ONLY WITH  
SEUL POUR  
SOLO NELLA  
SOLO CON

\*\*\*  
NUR BEI PAL  
ONLY WITH  
SEUL POUR  
SOLO NELLA  
SOLO CON

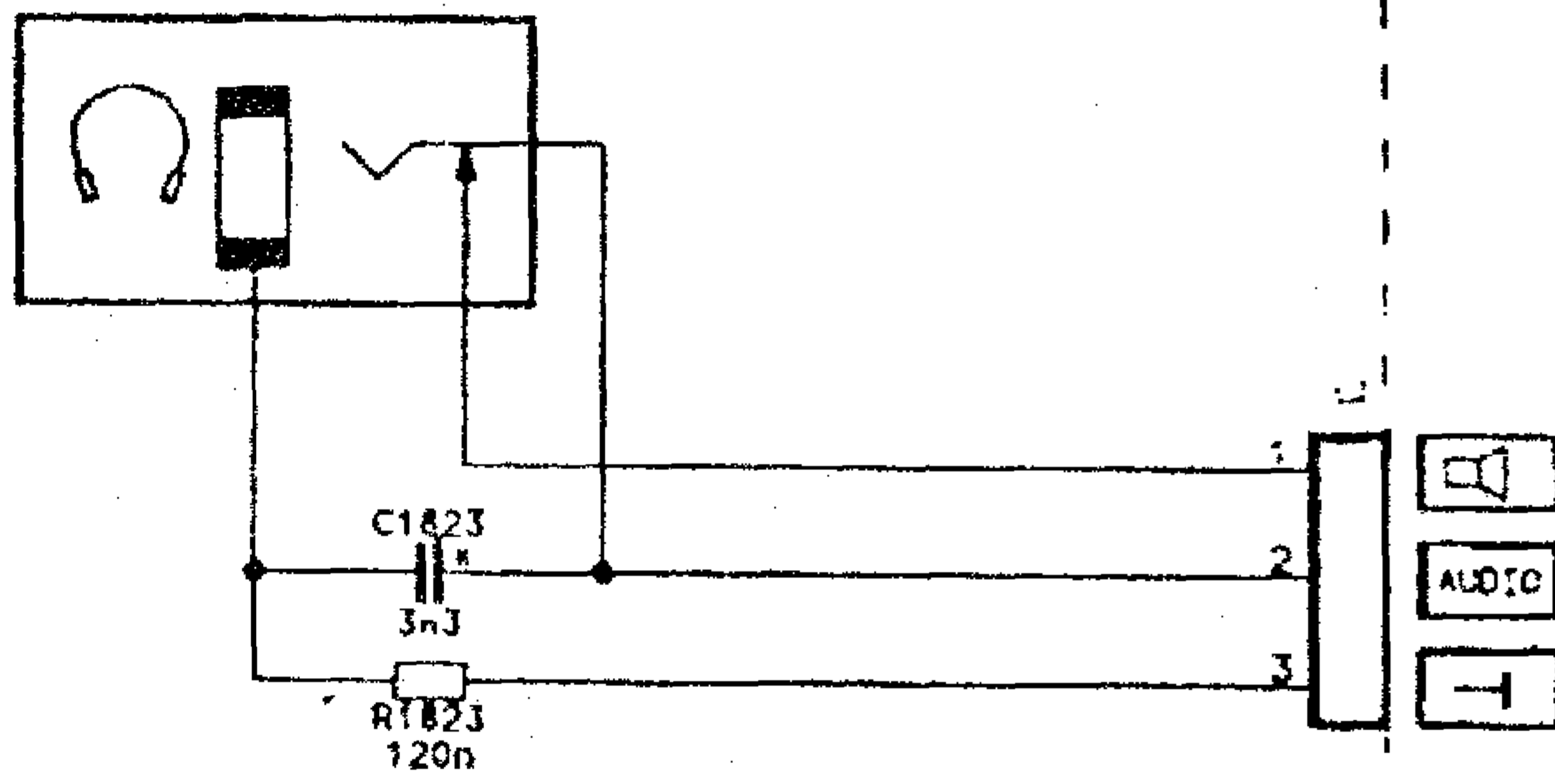
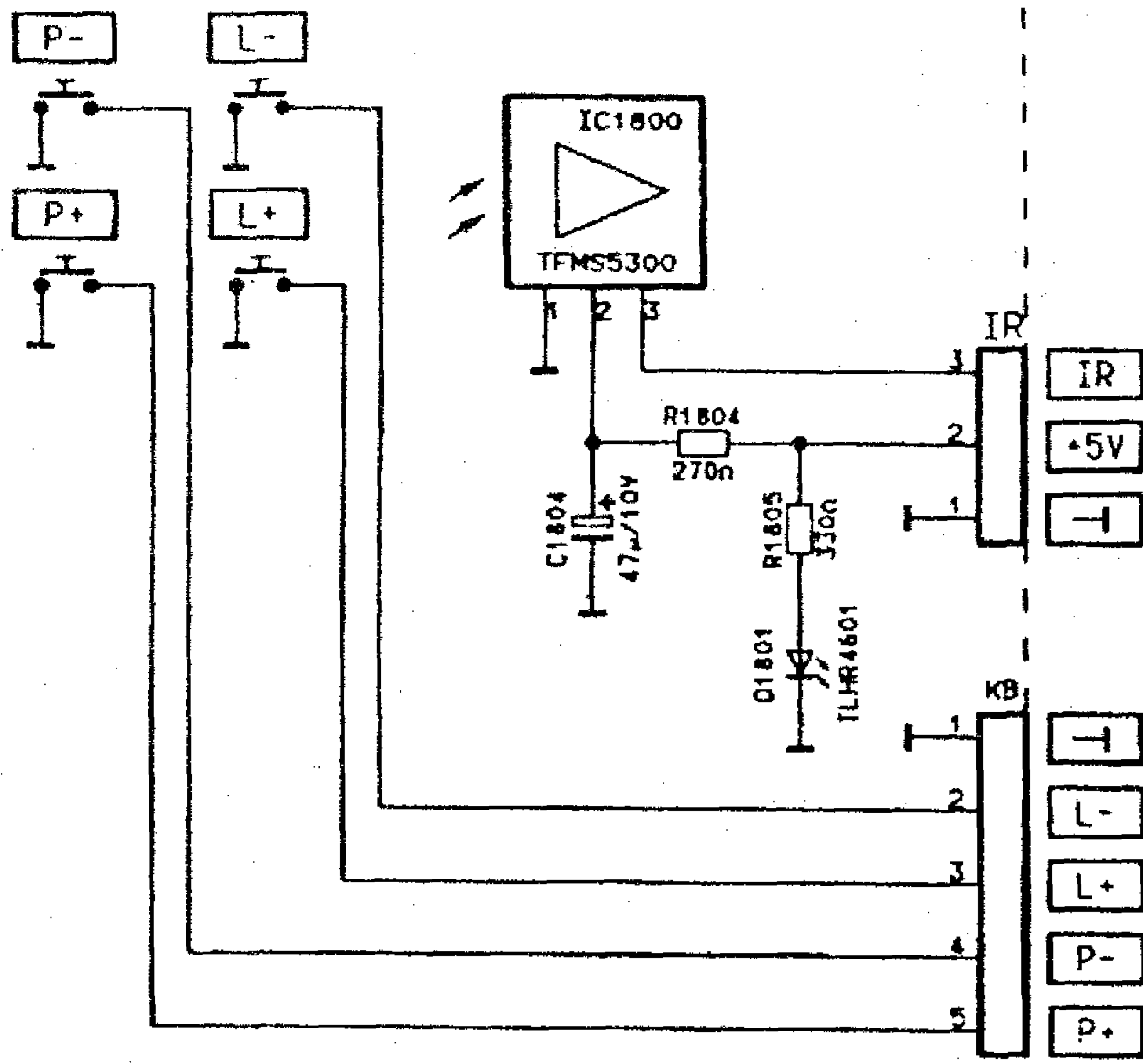
IC130  
STV2102 (PAL)  
STV2110 (OIRT)

F118  
8140-535-211  
(566)

F110  
DL 701/PAL  
DL 711/PS

NUR BEI SECAM (OIRT)

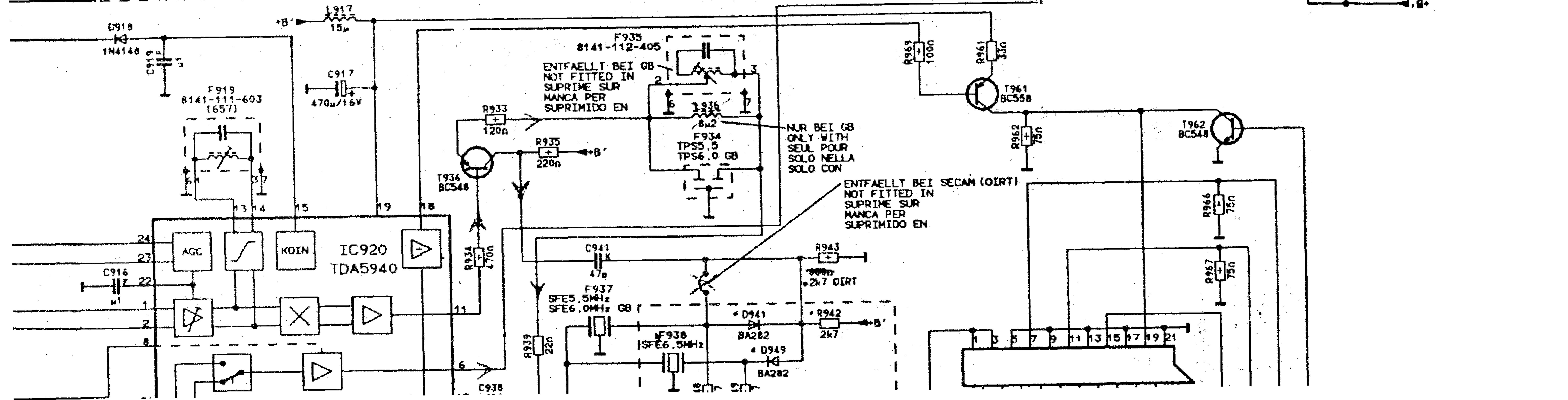
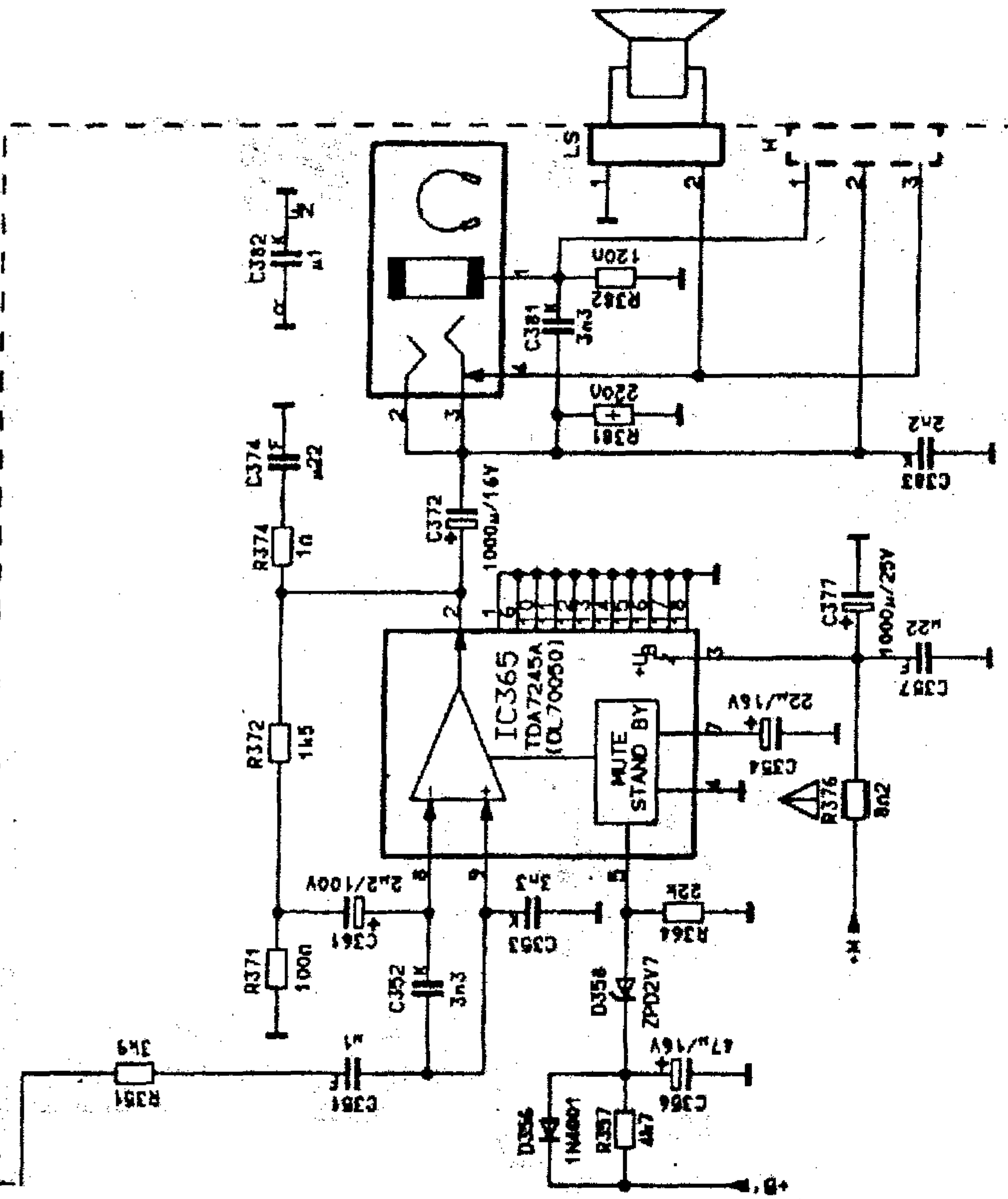
RGB  
R  
G  
B  
12V  
SW  
BRT - PLATT  
BRT - BASE  
TUB - PLATT  
CURIASTRIC  
PLACCA - PLATT

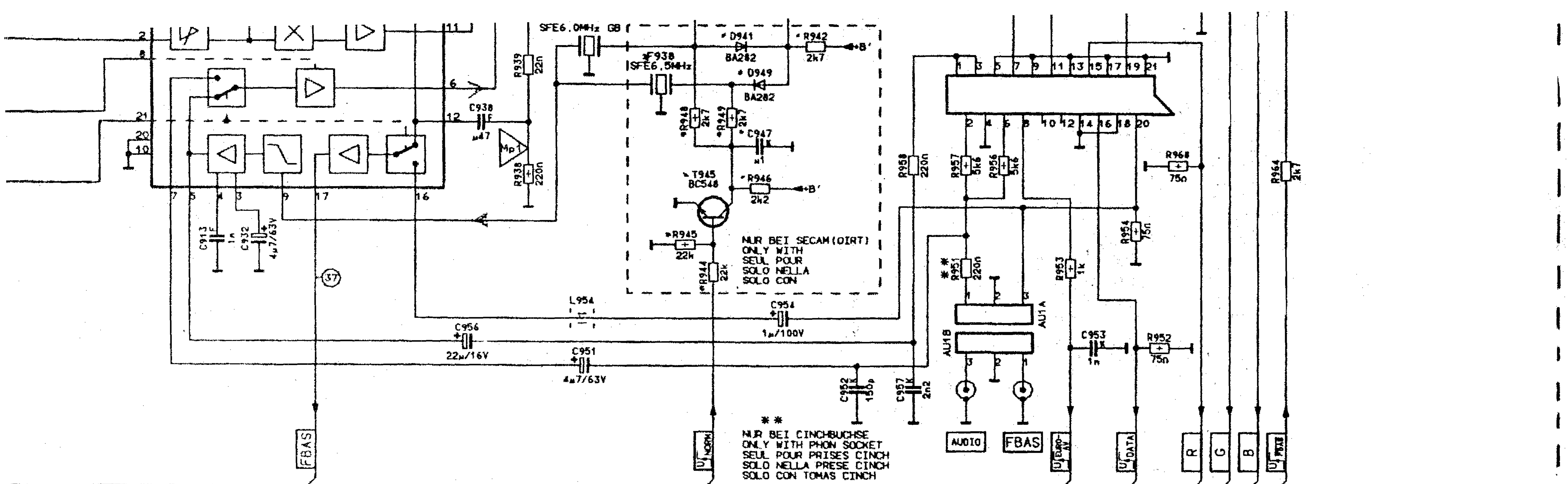


BED -EINHEIT 29501-080 4'  
 CONTROL UNIT  
 UNITA DE COMANDE  
 UNITA DI COMANDE  
 UNIDAD DE MANDO

220293

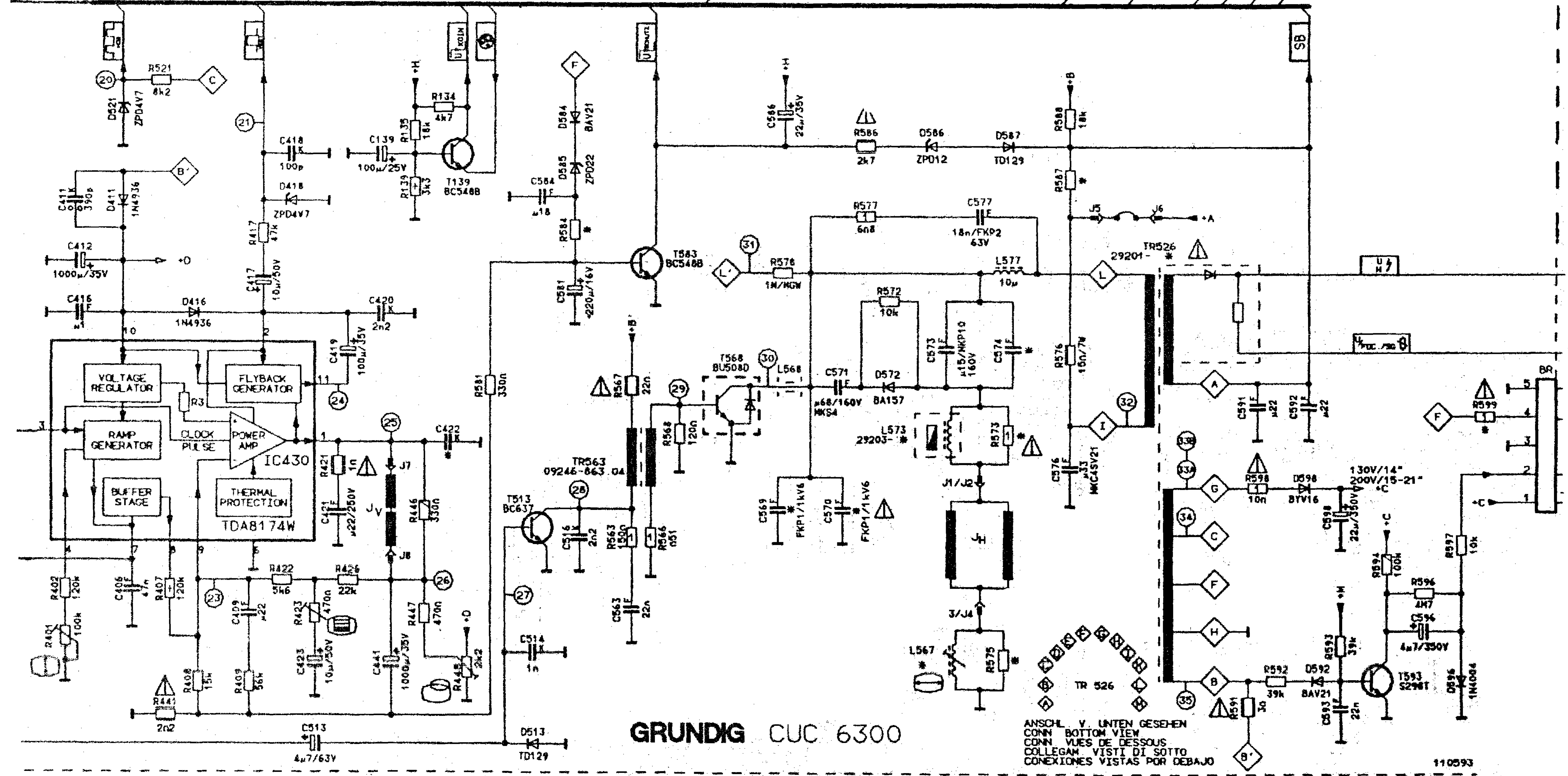
#	14" ORION	15"	16"	17/19/21"	20"	14" PHILIPS
R168	180n	470n	470n	470n	470n	180n
R337	9k1	15k	15k	15k	15k	9k1
TR526	-028 53	-028 54	-028 54	-028 54	-028 54	-028 55
L567	—	09246-850 21	-838 21	-850 21	-838 21	—
C569	6n8	6n8	6n8	6n8	6n8	7n8
C570	—	—	—	—	750p	—
L573	—	-115	-115	-115	-115	—
R573	—	820n	820n	820n	820n	—
C574	µ27/MKP10	µ1/MKP10	µ27/MKP10	µ1/MKP10	µ27/MKP10	µ27/MKP10
R575	—	1k5/4W	820n/2W	1k5/4W	820n/2W	—
R587	390k	220k	220k	220k	220k	390k
R599	3n3/1W	3n9/1W	3n9/1W	3n9/1W	3n9/1W	3n3/1W
L601	29500-811 97	-811 97	-811 97	-812 97	-812 97	-811 97
R621	—	—	—	2n2/7W	2n2/7W	—
C626	100µ/385V	150µ/385V	150µ/385V	150µ/385V	150µ/385V	100µ/385V
C632	1n8	2n7	2n7	2n7	2n7	1n8
TR651	-455 03	-455 01	-455 01	-455 01	-455 01	-455 05
C422	22n/MKS2	22n/MKS2	22n/MKS2	22n/MKS2	22n/MKS2	—
R584	1k5	2k2	2k2	2k2	2k2	1k5





MUR BEI SECAM (DIRT)  
 ONLY WITH  
 SEUL POUR  
 SOLO NELLA  
 SOLO CON

\*\*  
 MUR BEI CINCHBUCHSE  
 ONLY WITH PHON SOCKET  
 SEUL POUR PRISES CINCH  
 SOLO NELLA PRESE CINCH  
 SOLO CON TOMAS CINCH

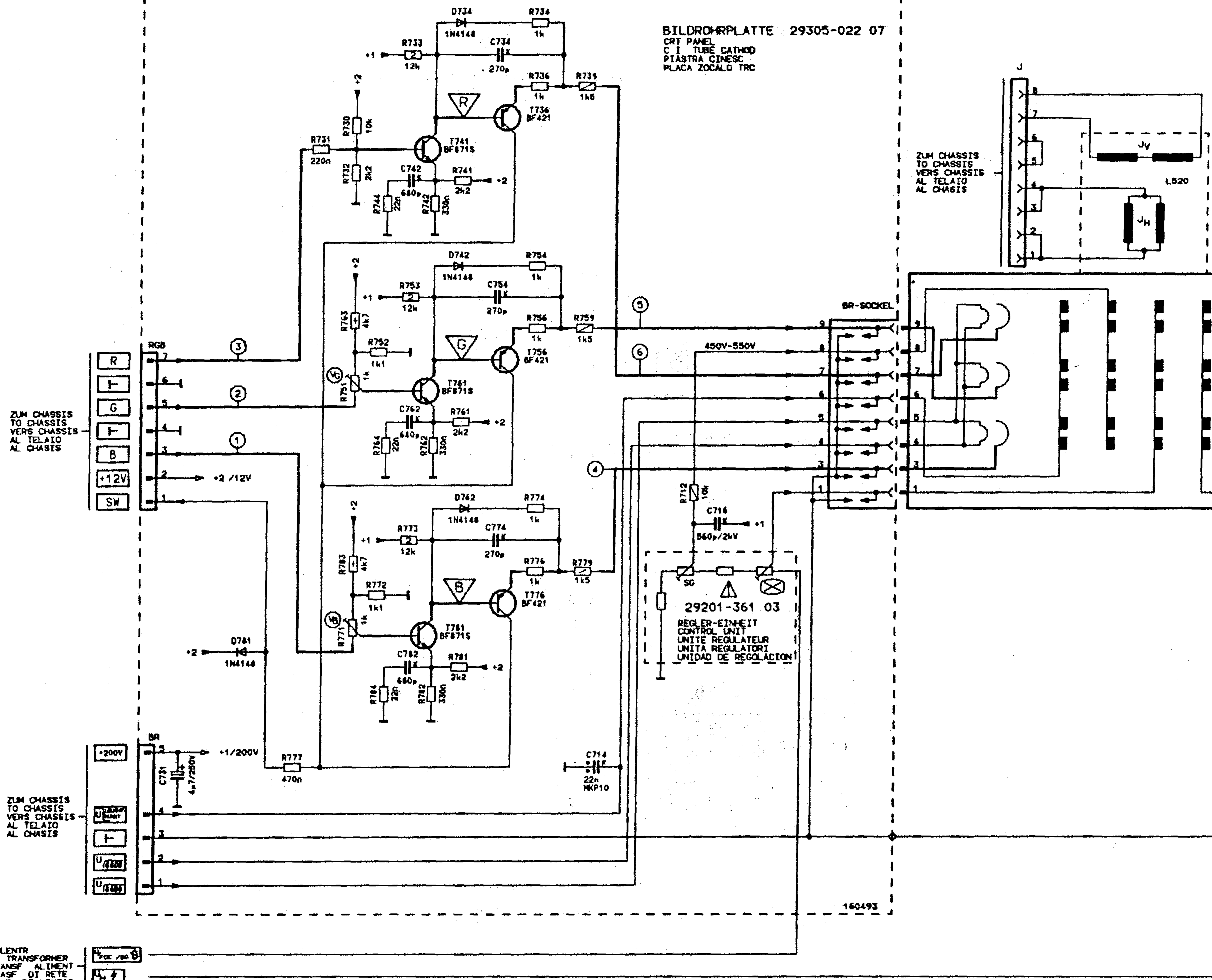


GRUNDIG CUC 6300

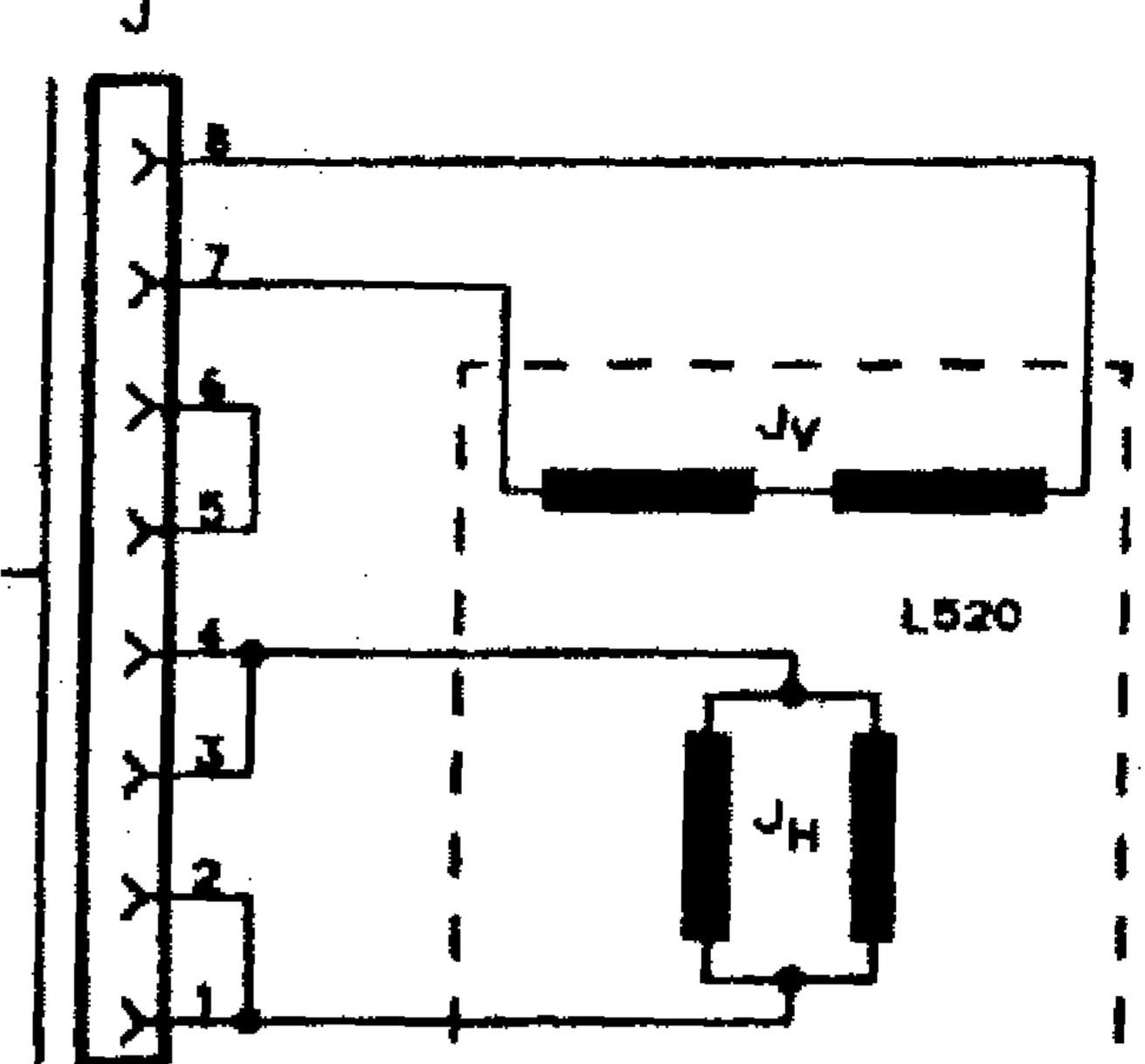
ANSCHL. V. UNTEN GESEHEN  
 CONN. BOTTOM VIEW  
 CONN. VUES DE DESSOUS  
 COLLEGAM. VISTI DI SOTTO  
 CONEXIONES VISTAS POR DEBAJO

BR - PLATTE  
 CRT BASE  
 C.I. - TUBE CATHOD  
 PIASTRA CINESC  
 PLACA-ZOCALO TRC

BILDROHRPLATTE 29305-022 07  
 CRT PANEL  
 C I TUBE CATHOD  
 PIASTRA GINESC  
 PLACA ZOCALO TRC



ZUM CHASSIS  
 TO CHASSIS  
 VERS CHASSIS  
 AL TELAIO  
 AL CHASSIS



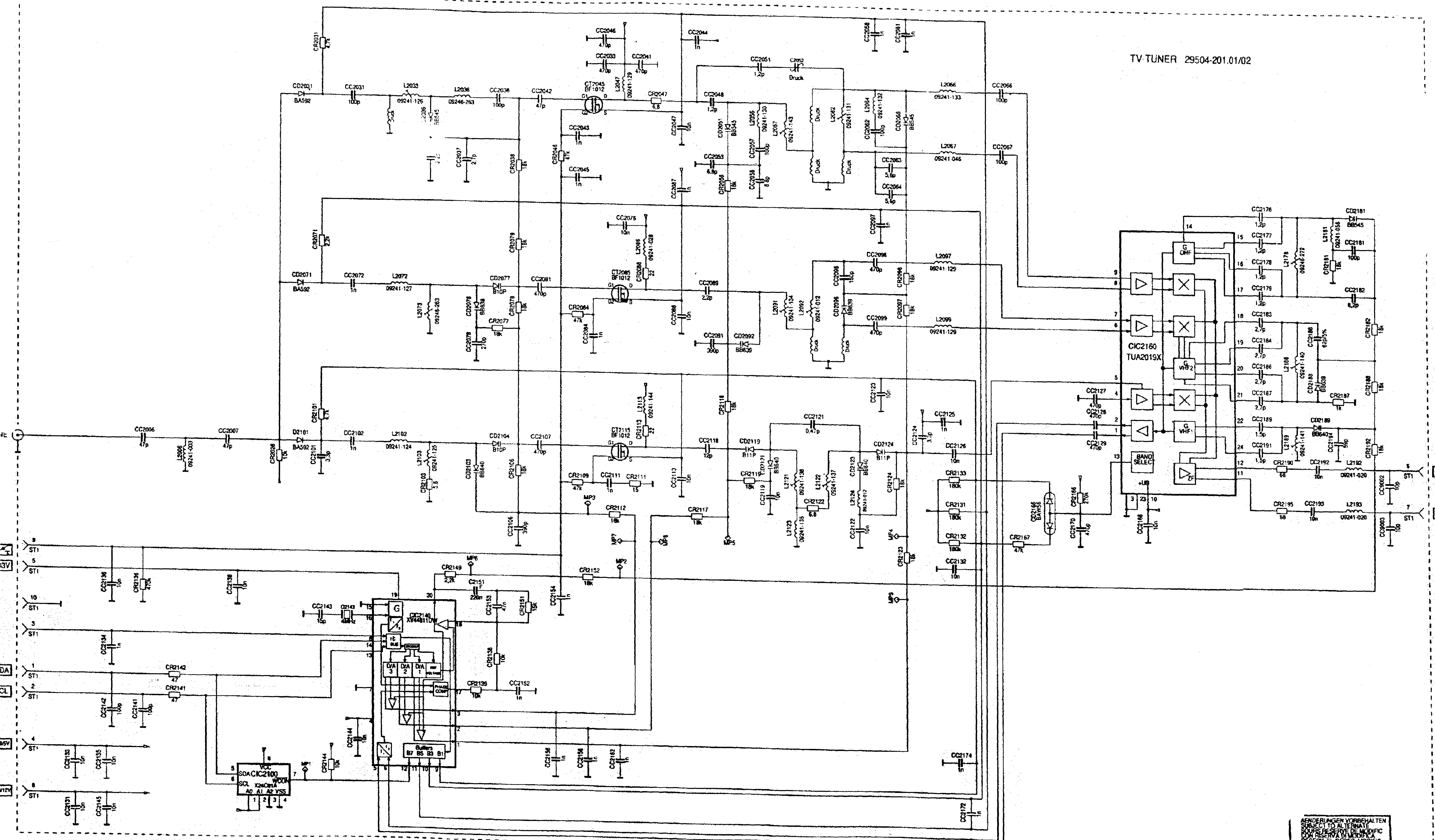
ZUM CHASSIS  
 TO CHASSIS  
 VERS CHASSIS  
 AL TELAIO  
 AL CHASSIS

ZUM CHASSIS  
 TO CHASSIS  
 VERS CHASSIS  
 AL TELAIO  
 AL CHASSIS

ZUM ZEILENTR  
 TO LINE TRANSFORMER  
 VERS TRANSF ALIMENT  
 ALLO TRASF DI RETE  
 AL TRASF DE LINEAS

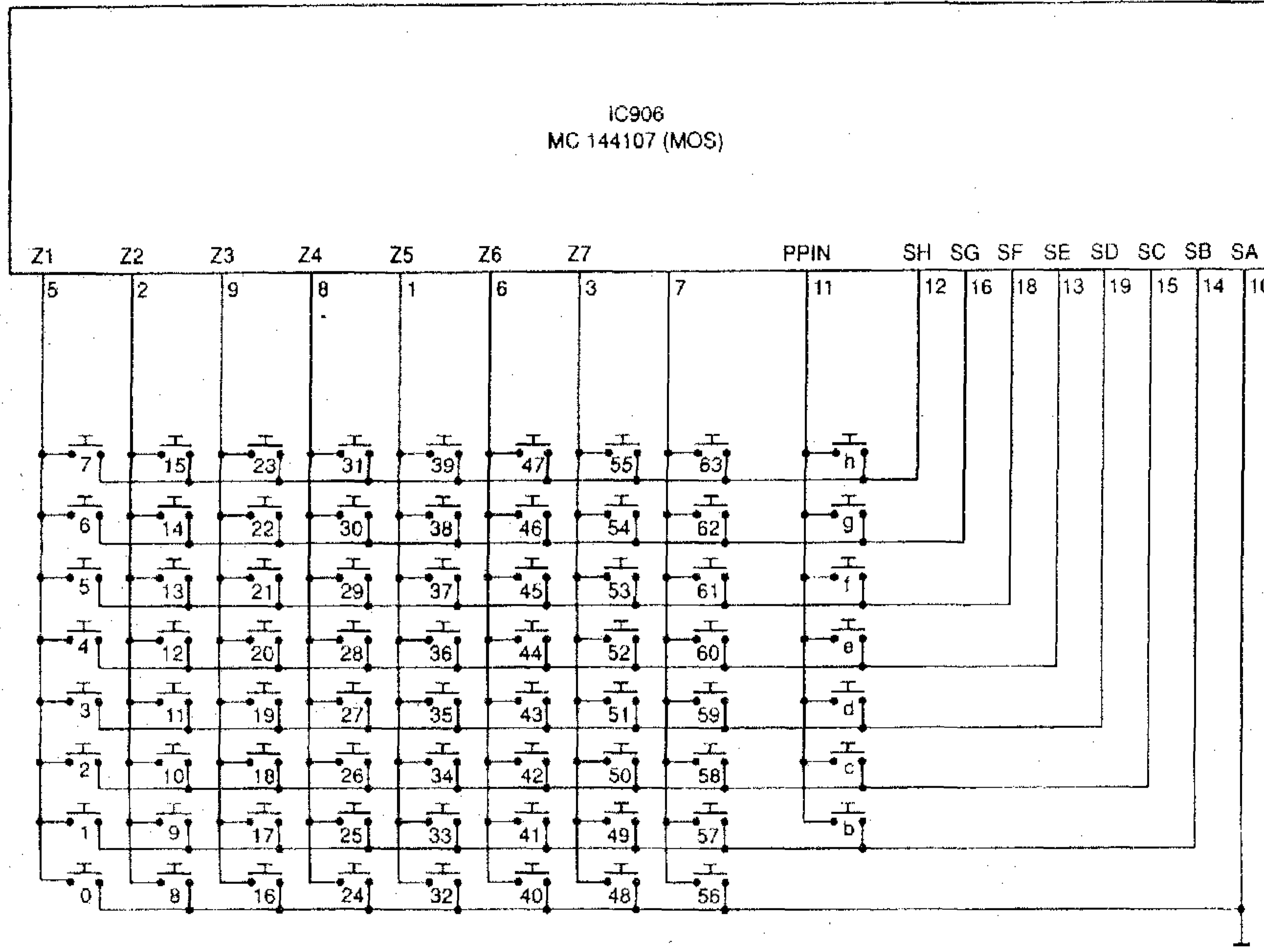
160493



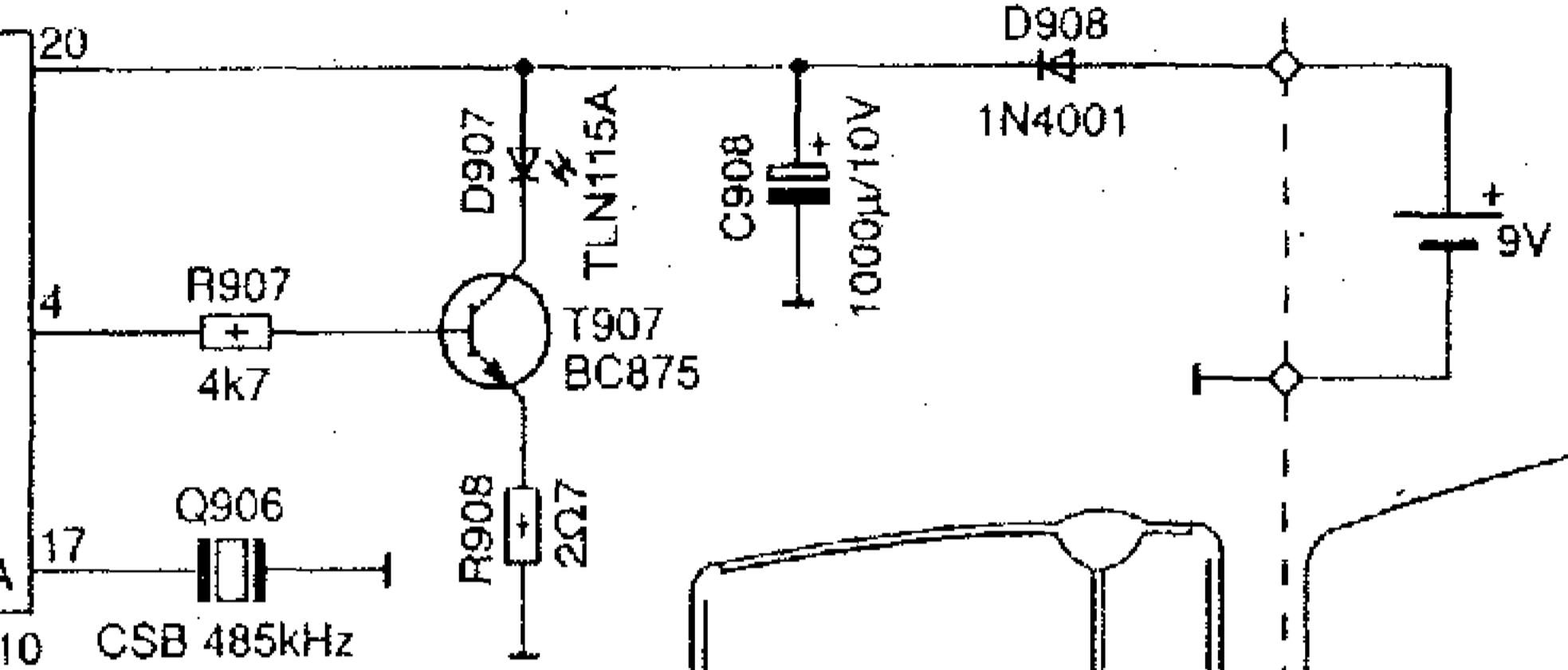


ÄNDERUNGEN VORBEHALTEN  
SERVICIO AL CLIENTE  
RESERVE DE MODIFICACIONES  
RESERVA DI MODIFICA  
RESERV EL DERECH. MODIFIC.

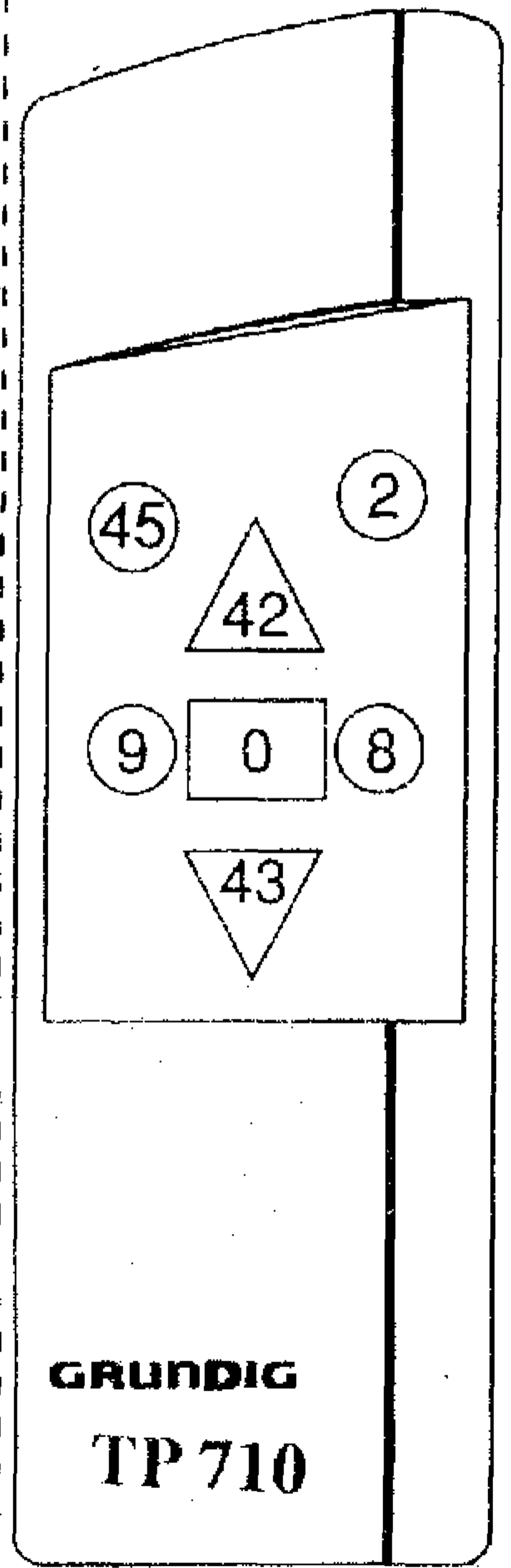
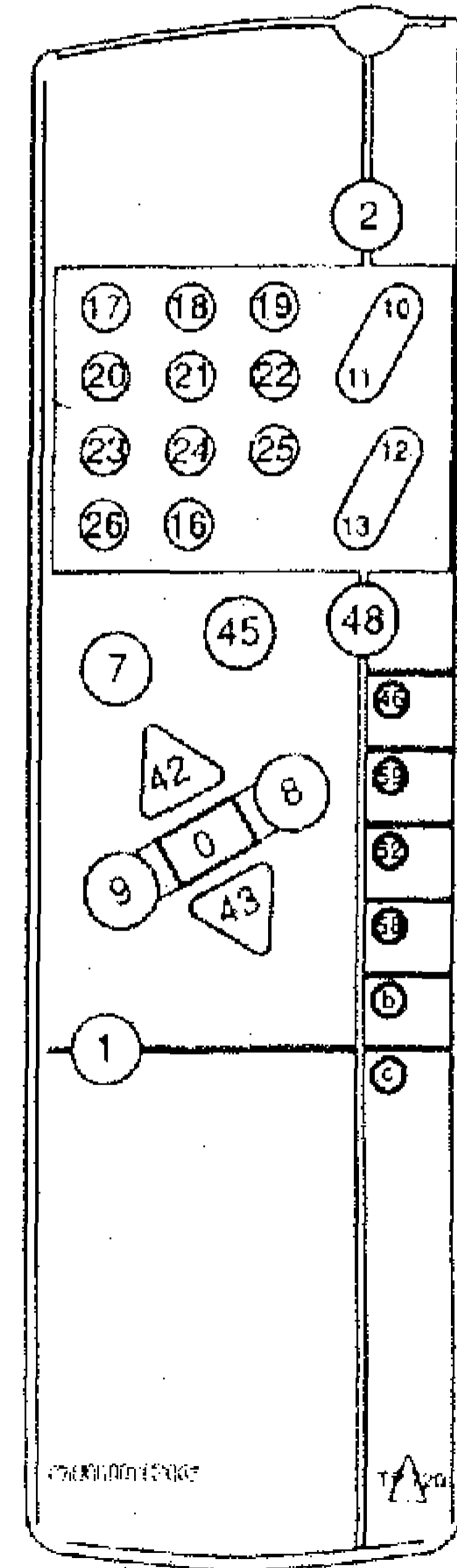
FERNBEDIENUNG 29622-059.06  
 REMOTE CONTROL  
 TELE COMMANDE  
 TELECOMANDO  
 TELE MANDO



KEYBOARD 29304-779.02  
 CLAVIER  
 KEYBOARD  
 TECLADO

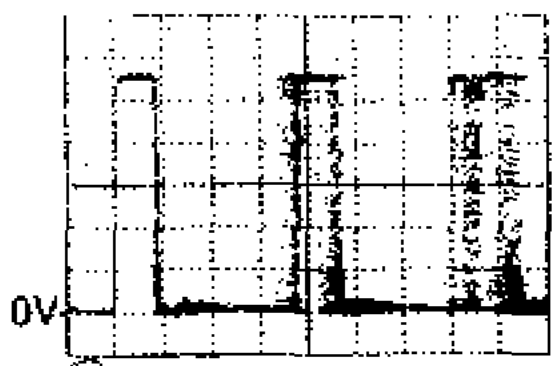


Remote control TP 720

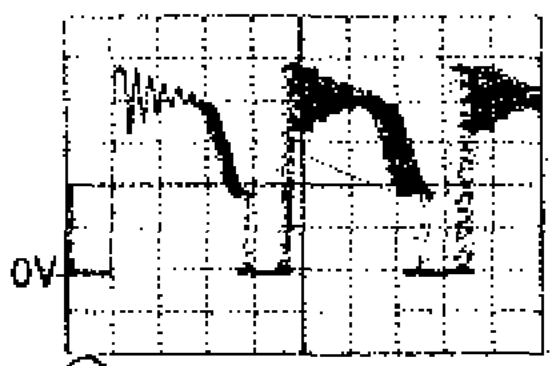


Oszillogramme - Chassis / Oscillograms Chassis / Oscillogrammi telaio

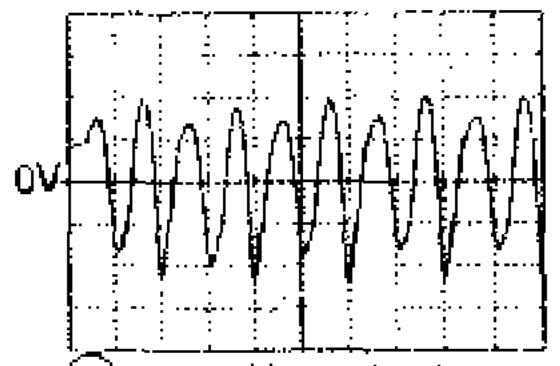
Ремонт электроники



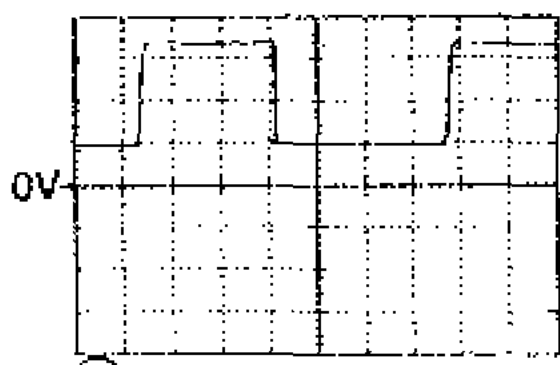
2) 2V/cm, 2μs/cm



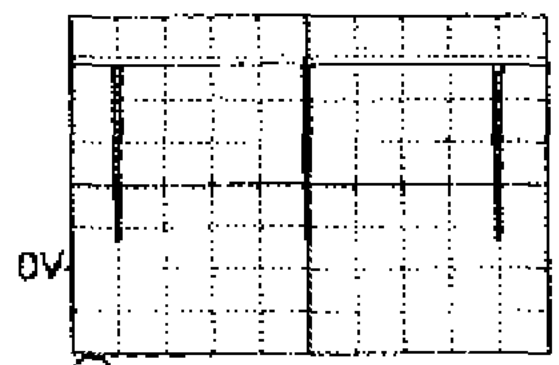
4) 100V/cm, 2μs/cm



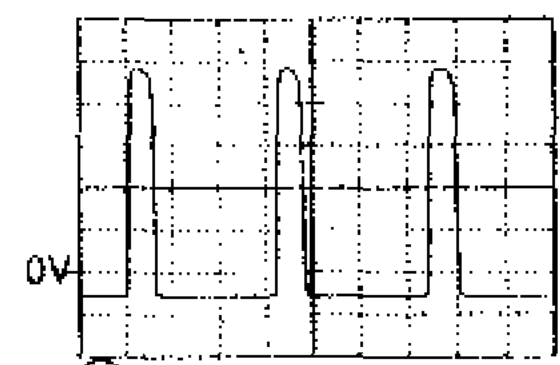
11) 100mV/cm, 1μs/cm



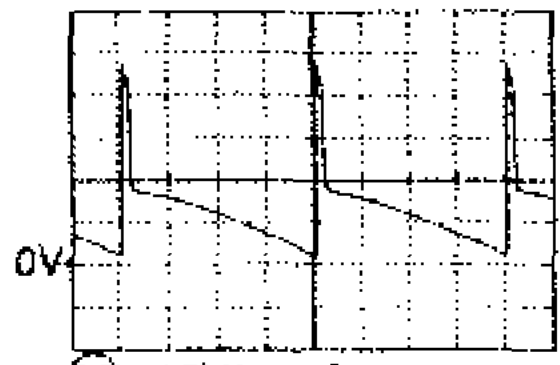
12) 1V/cm, 10μs/cm



14) 2V/cm, 5ms/cm



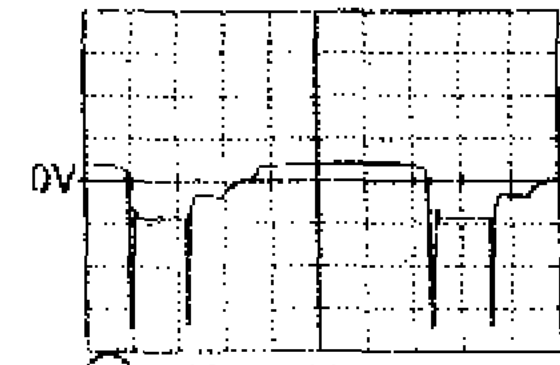
20) 1V/cm, 20μs/cm



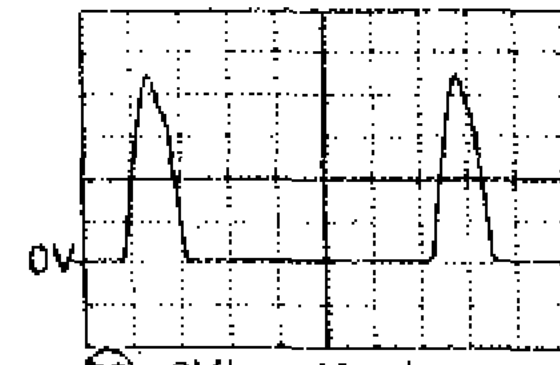
25) 10V/cm, 5ms/cm



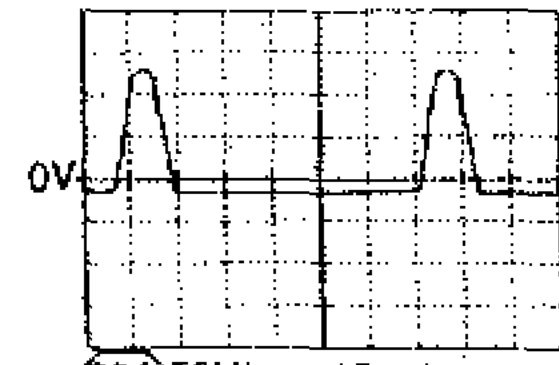
28) 5V/cm, 10μs/cm



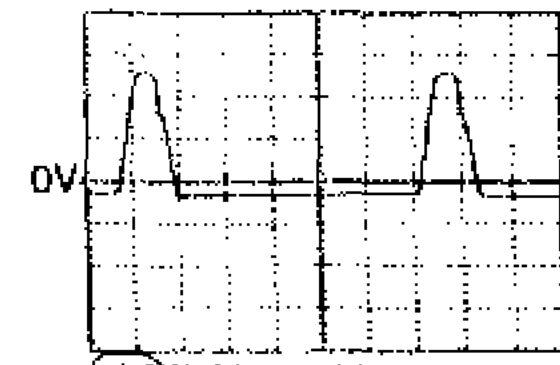
29) 2V/cm, 10μs/cm



30) 2V/cm, 10μs/cm



33A) 50V/cm, 10μs/cm



33B) 50V/cm, 10μs/cm