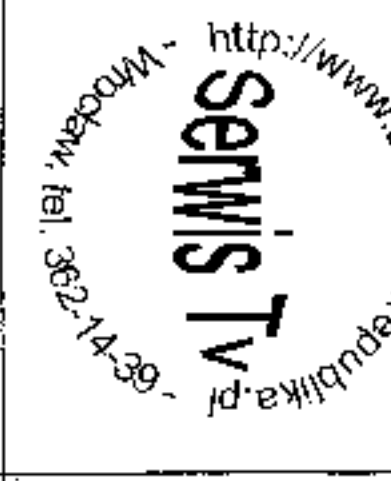
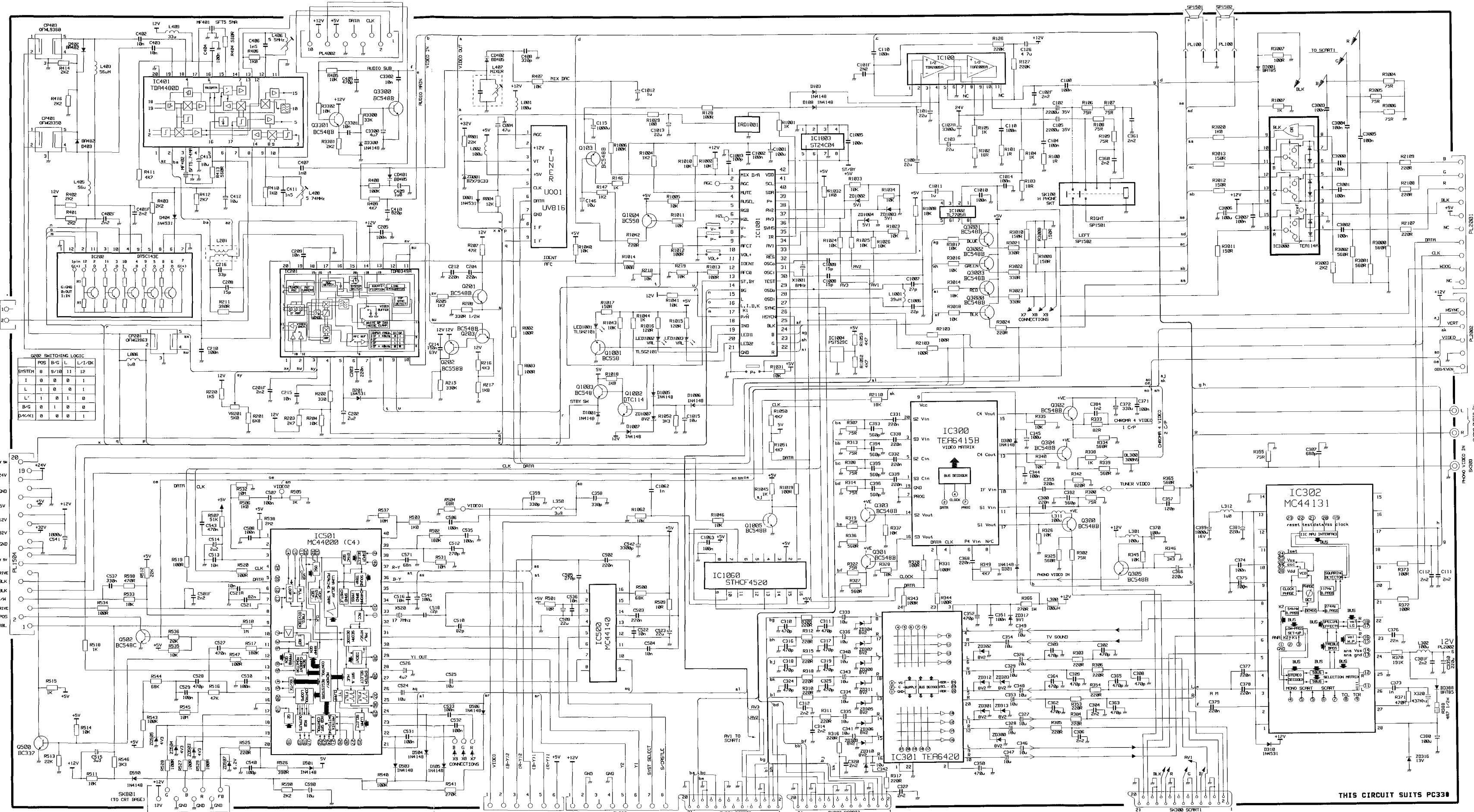


Power Supply and deflection circuit - <http://www.schematy-tv.pl>
 Hitachi CL 2560 / 2860 TAN



- PL1503
- POWER ON/OFF
- STANDBY SUPPLY
- VERT DRIVE
- HORZ DRIVE
- VERT POS.
- R.B.L
- PL703/2
- PL703/3
- LHT
- FOCUS
- SCREEN
- PL702/1
- HEATERS
- HEATERS
- PL1503
- HORZ BLANKING

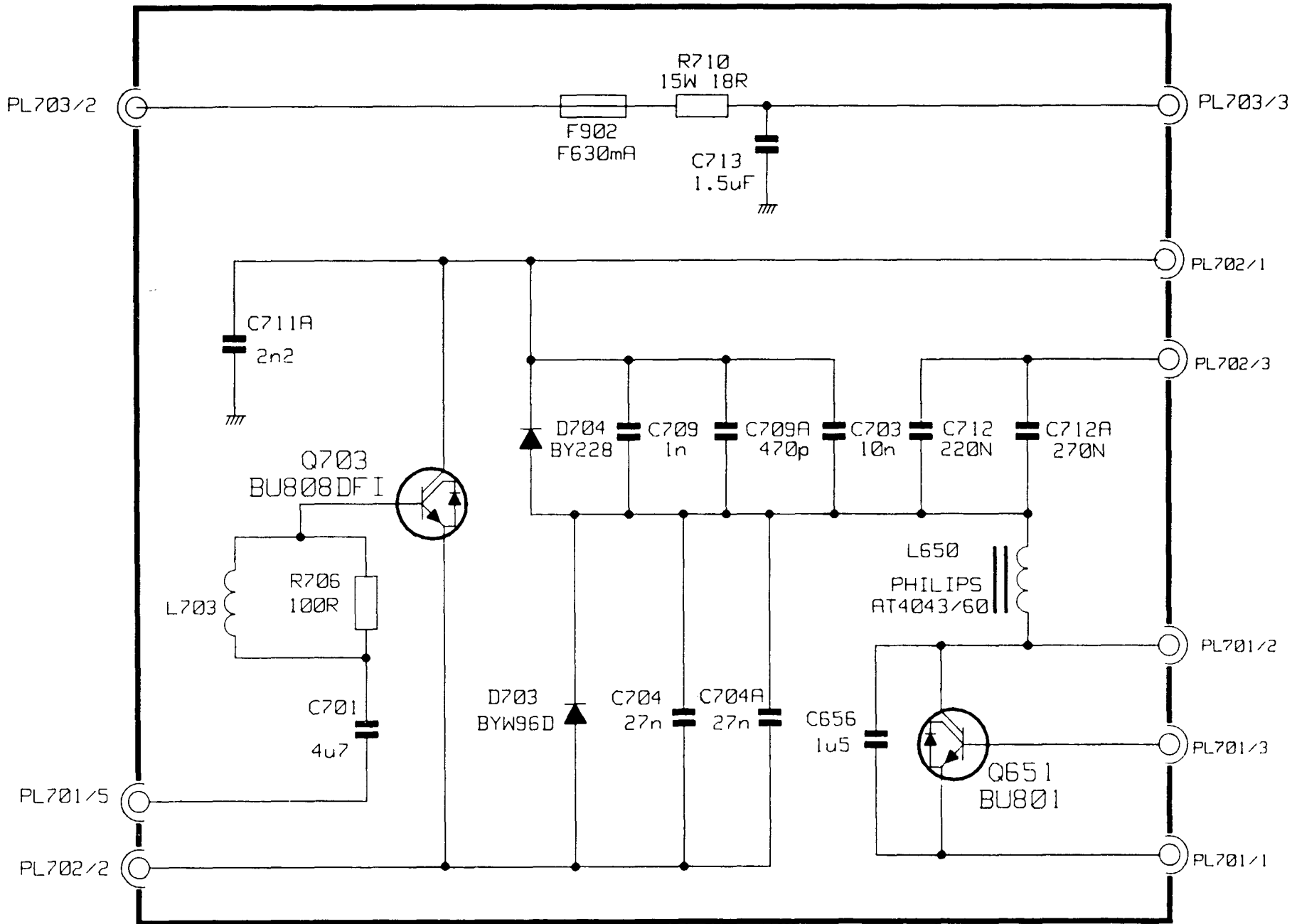


Q202 SWITCHING LOGIC

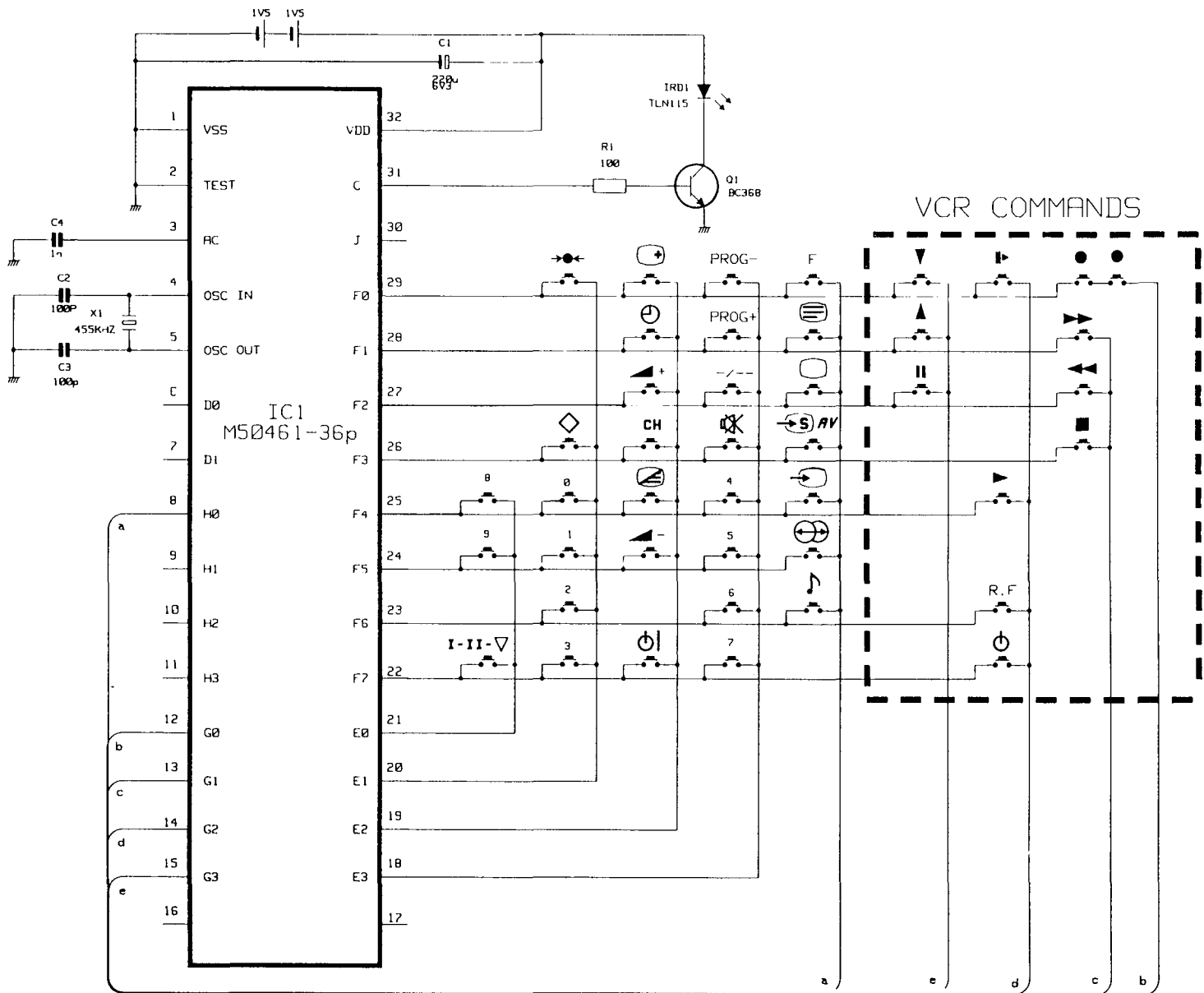
SYSTEM	B/G	L	L-1/LK
I	0	0	1
L	1	0	0
B/G	0	1	0
L-1/LK	0	0	1

**SIGNAL AND CONTROL CIRCUIT
(CL25/2860TAN)**

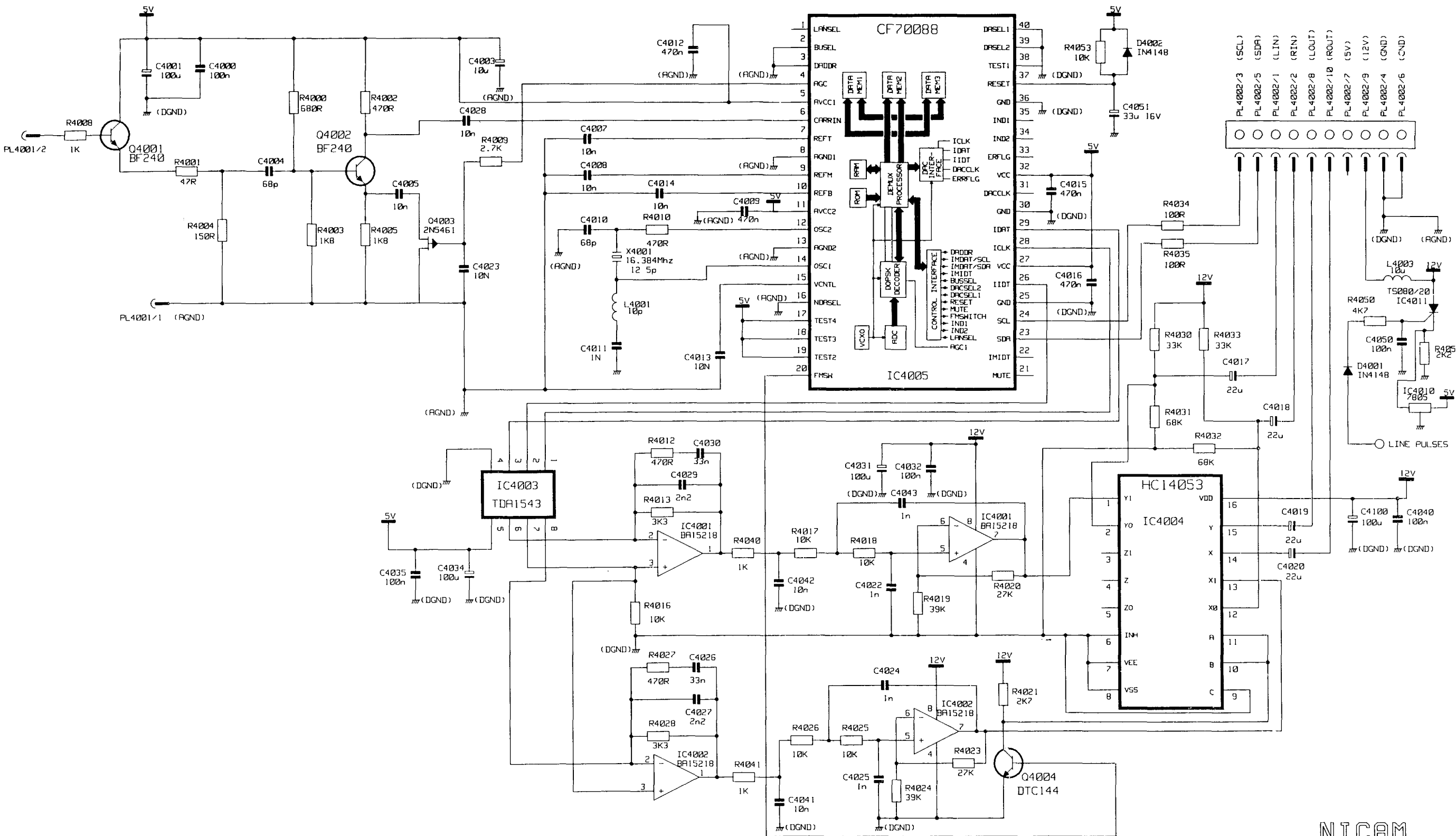
THIS CIRCUIT SUITS PC330



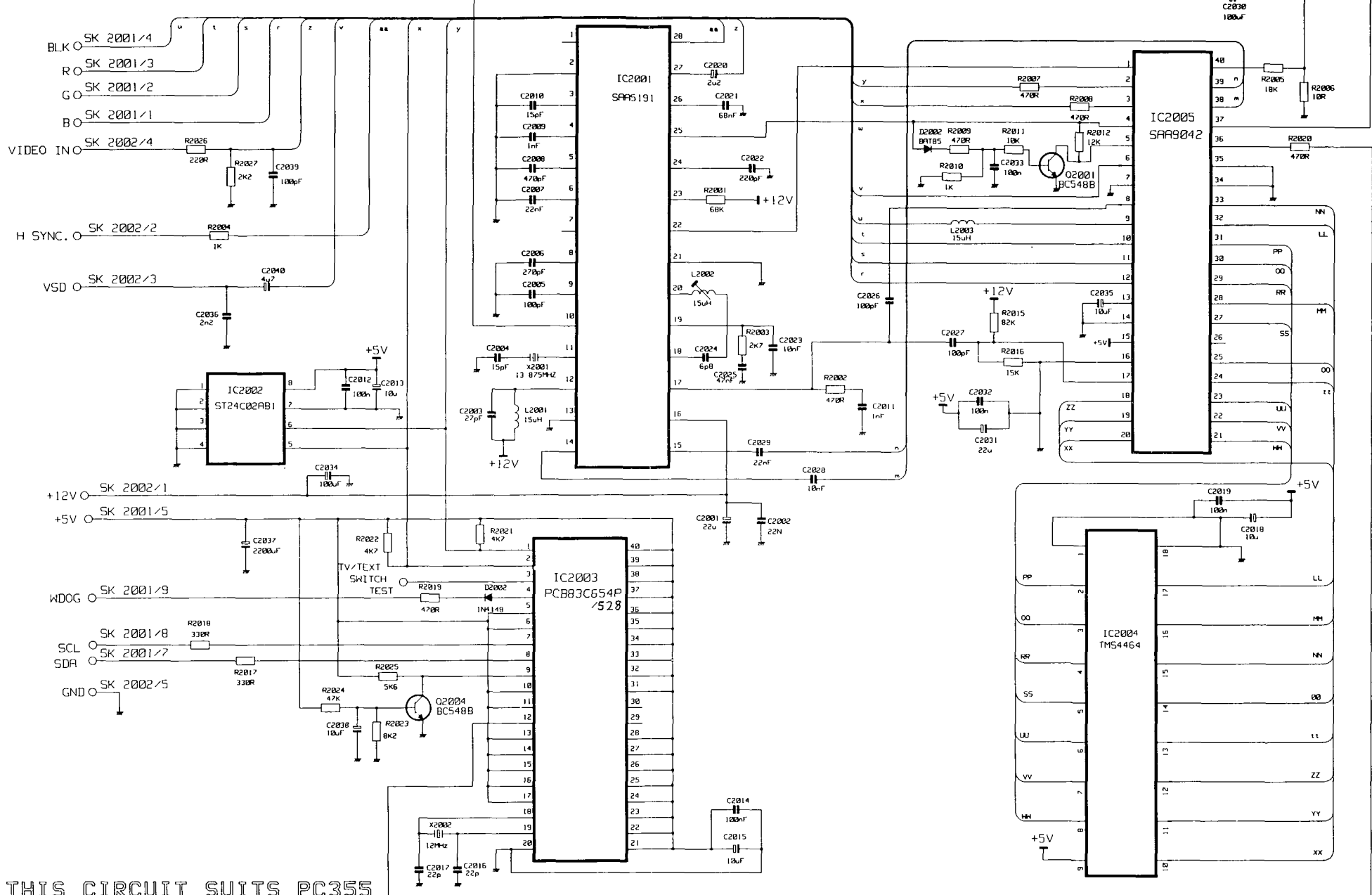
EAST/WEST CORRECTION CIRCUIT



REMOTE CONTROL HANDSET CIRCUIT



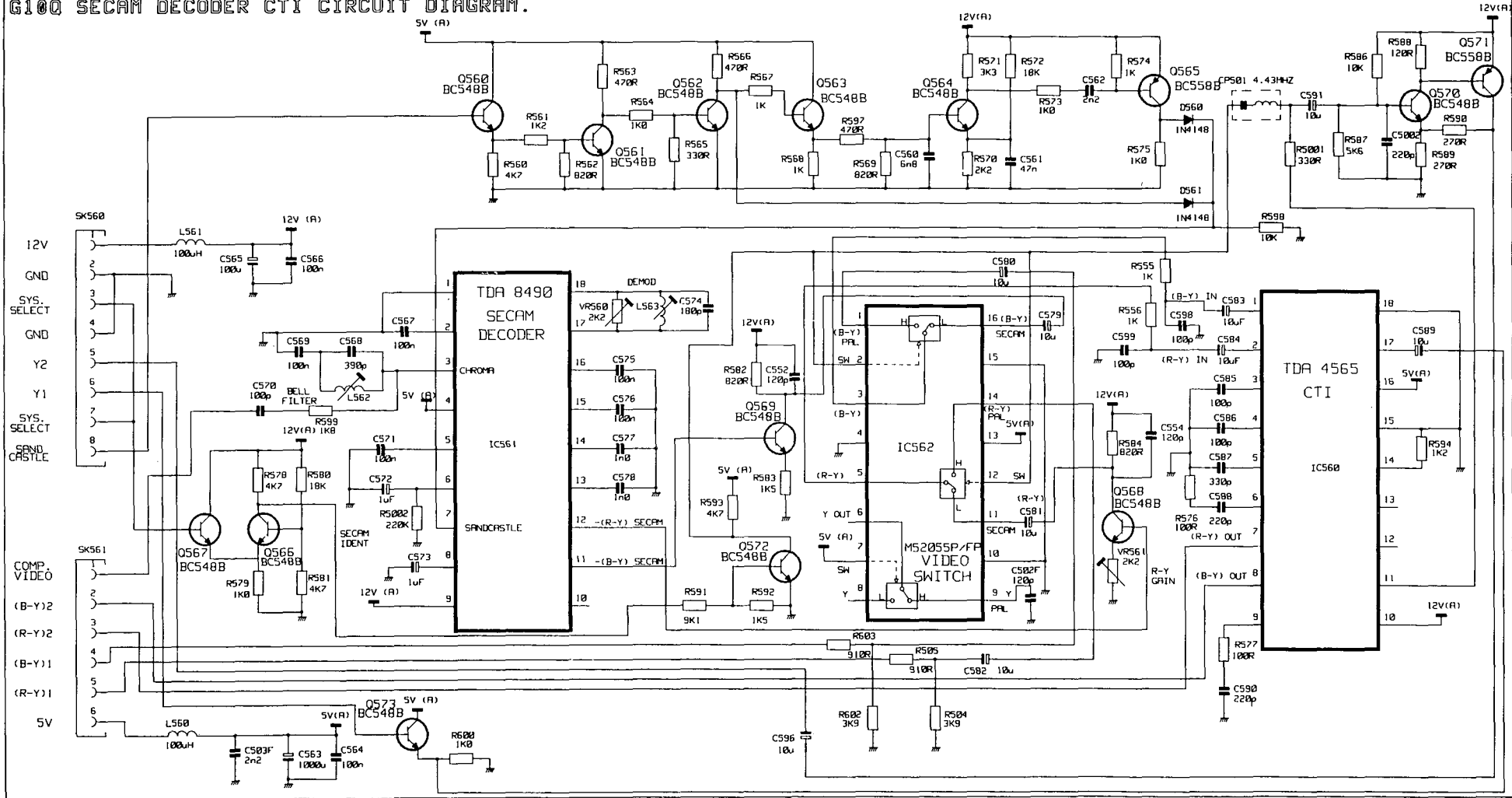
ODD/EVEN O SK 2002/6



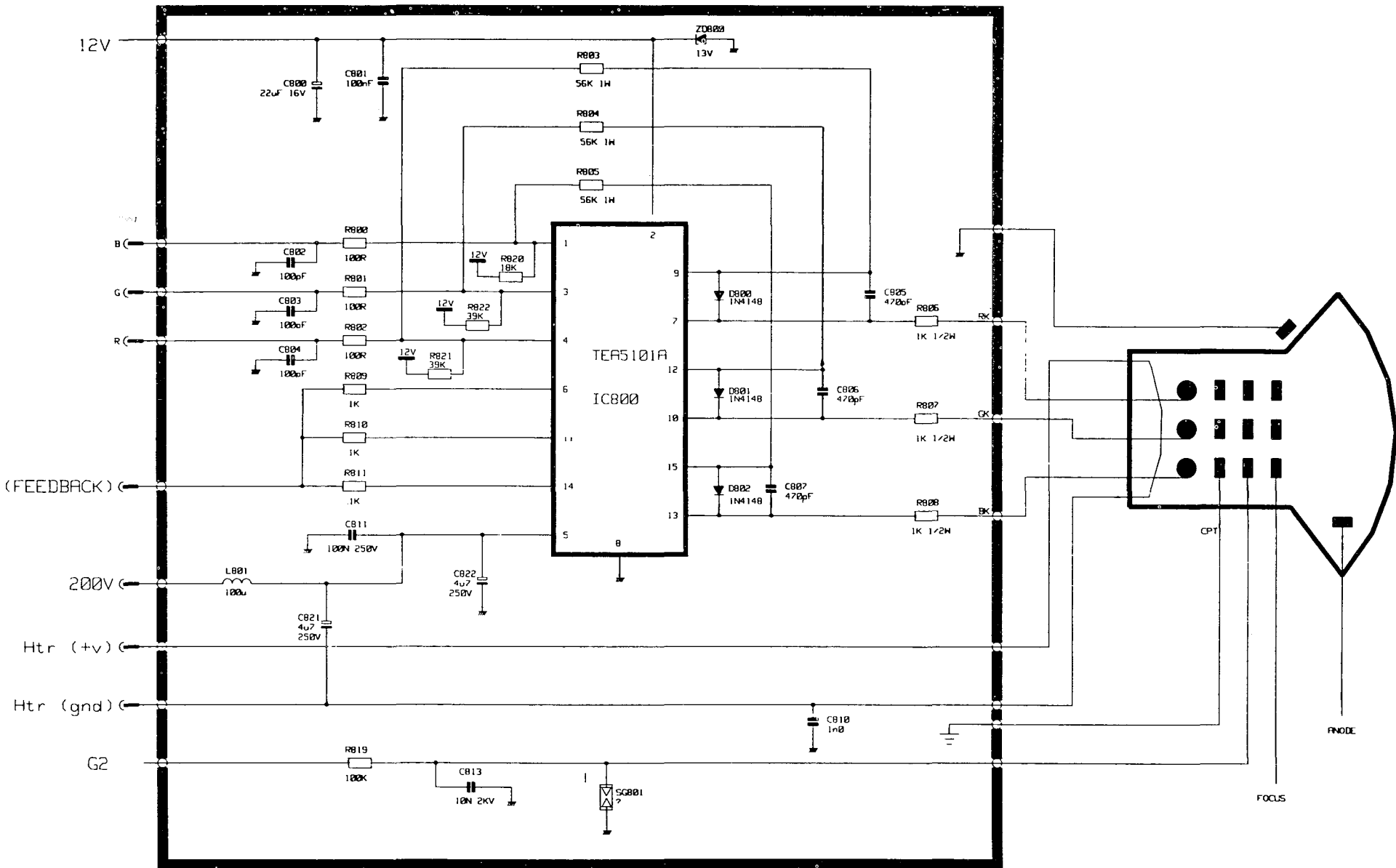
THIS CIRCUIT SUITS PC355

TELETEXT CIRCUIT

G100 SECAM DECODER CTI CIRCUIT DIAGRAM.



SECAM/CTI CIRCUIT



CRT BASE CIRCUIT