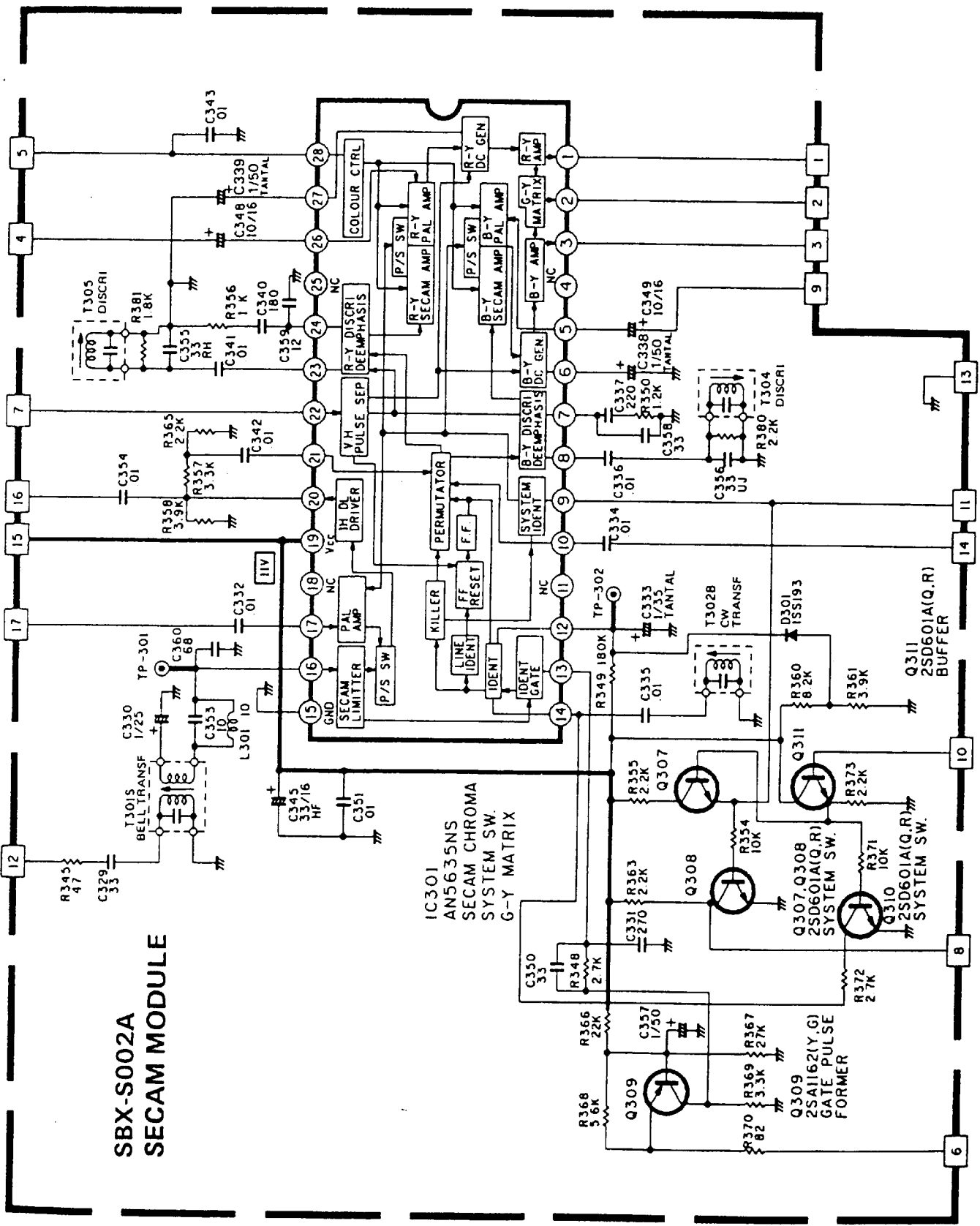
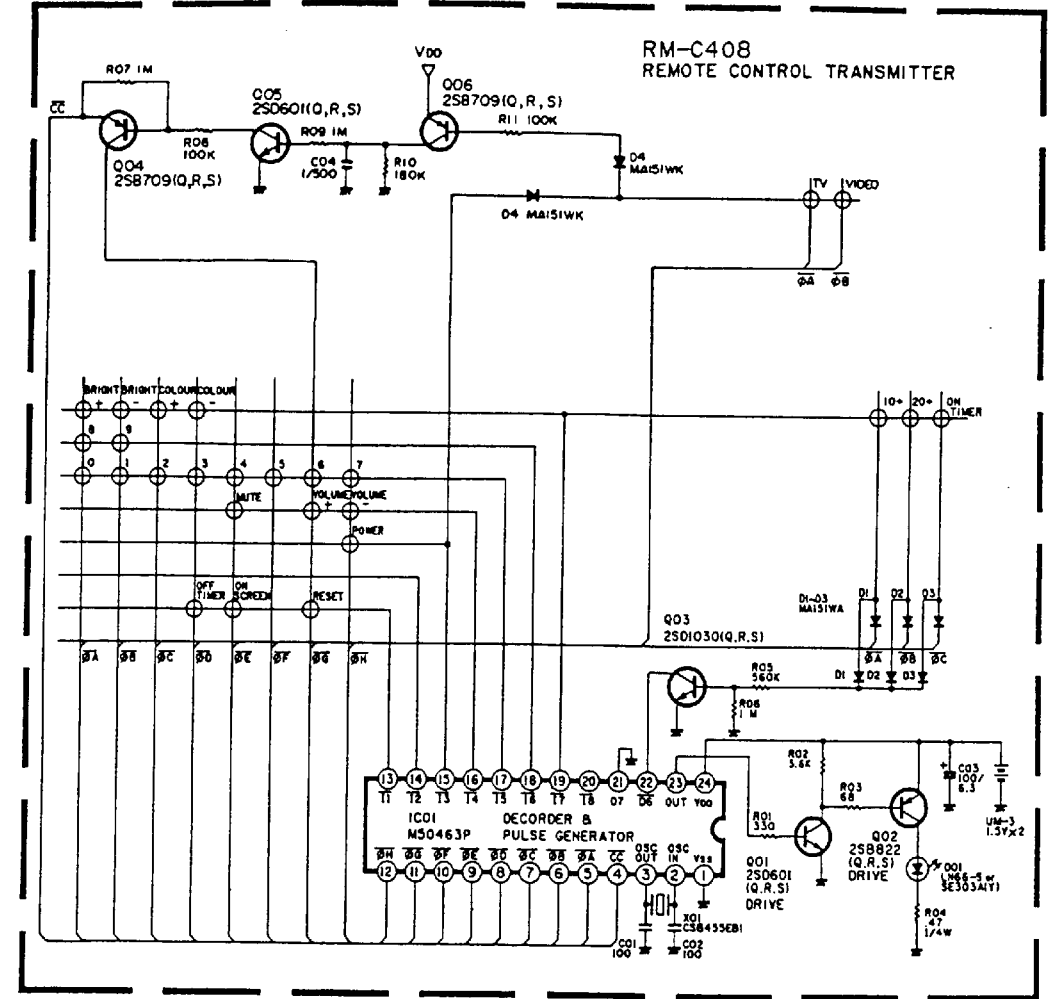


\* NON CONNECT  
1,2,6,13,20,21,25-29(pin)

SECAM MODULE SCHEMATIC DIAGRAM



REMOTE CONTROL TRANSMITTER SCHEMATIC DIAGRAM



BASIC OF TRANSISTORS & ICs

2SC1E15(Y)  
2SC1E15(Y,GR)  
2SA1015(Y,GR)  
2SC1627A  
2SA673(C)  
2SC1959(Y)

2SB1013(O)  
2SA966  
2SC2655(Y)  
2SC1360

2SD1274A 2SC2371(K-M) 2SD1427

CHIP TRANSISTOR

CHIP DIODE

IC µPC1373H

IC M51346AP  
M888301APF  
µPD4049UBG-W  
TC40668P

IC M51309SP  
M58659FP  
M50435-893FP  
AN5635NS

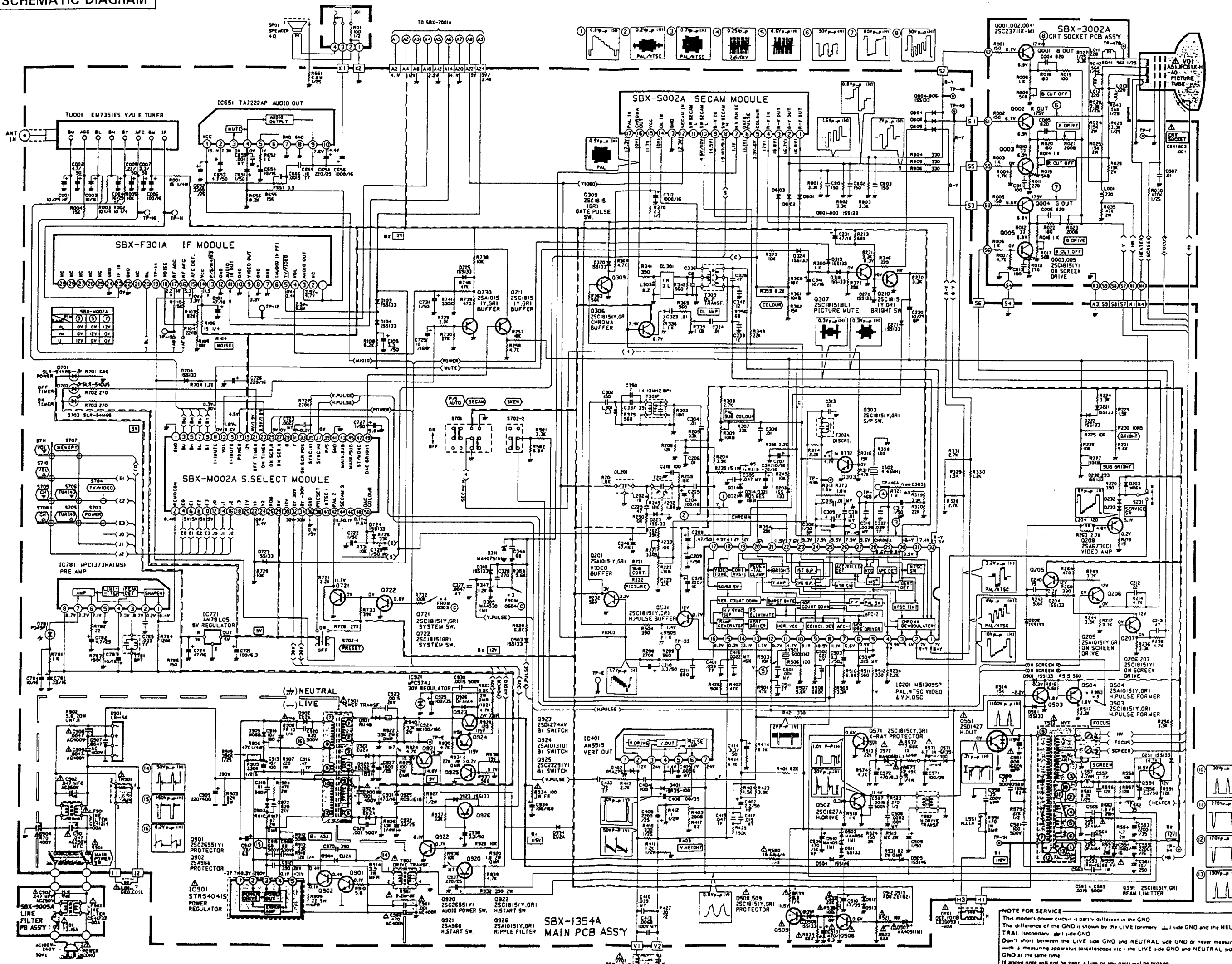
IC AN78L05

IC AN5515

IC TA7222AP

IC STR54041S

MAIN SCHEMATIC DIAGRAM



SBX-1354A MAIN PCB ASSY

**NOTE FOR SERVICE**  
 This model's power circuit is partly different in the GND. The difference of the GND is shown by the LIVE (primary) side GND and the NEUTRAL (secondary) side GND. Don't short between the LIVE side GND and NEUTRAL side GND or never measure with a measuring apparatus (oscilloscope etc.) the LIVE side GND and NEUTRAL side GND at the same time. If above note will not be kept, a fuse or any parts will be broken.