

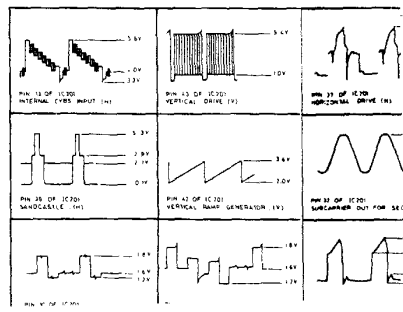
SIZE CHANGES

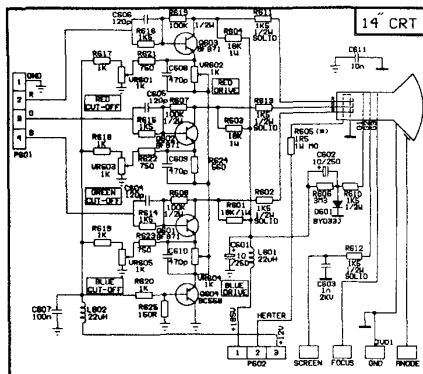
IC PART	IC PART
1	1
2	2
3	3
4	4
5	5
6	6
7	7
8	8
9	9
10	10
11	11
12	12
13	13
14	14
15	15
16	16
17	17
18	18
19	19
20	20
21	21
22	22
23	23
24	24
25	25
26	26
27	27
28	28
29	29
30	30
31	31
32	32
33	33
34	34
35	35
36	36
37	37
38	38
39	39
40	40
41	41
42	42
43	43
44	44
45	45
46	46
47	47
48	48
49	49
50	50
51	51
52	52
53	53
54	54
55	55
56	56
57	57
58	58
59	59
60	60
61	61
62	62
63	63
64	64
65	65
66	66
67	67
68	68
69	69
70	70
71	71
72	72
73	73
74	74
75	75
76	76
77	77
78	78
79	79
80	80
81	81
82	82
83	83
84	84
85	85
86	86
87	87
88	88
89	89
90	90
91	91
92	92
93	93
94	94
95	95
96	96
97	97
98	98
99	99
100	100

CRT TYPE	PHILIPS RAYTRON	RAYTRON	SPRING	PHILIPS RAYTRON	PHILIPS RAYTRON	SPRING
R808	270 1/2 H	270 1/2 H	270 1/2 H	270 1/2 H	180 1/2 H	270 1/2 H
R808	760 1/2 H	760 1/2 H	470 1/2 H	470 1/2 H	470 1/2 H	470 1/2 H
R512	1K2 1/2 H			1K 1K5		
R806	1K5 1/2 H	1K5 1/2 H	2K7 2K7	2K7 1K8	2K7 1K8	2K7 1K8
R610	1K5 1/2 H	1K5 1/2 H	2K7 2K7	2K7 1K8	2K7 1K8	2K7 1K8
R615	1K5 1/2 H	1K5 1/2 H	2K7 2K7	1K5 2K7	1K5 2K7	1K5 2K7
R619	100K 1/2 H	100K 1/2 H	1K 1K	4K7 1K 1K	4K7 1K 1K	4K7 1K 1K
R620	80K 1/2 H	80K 1/2 H	27K 27K	27K 27K	27K 27K	27K 27K
R LOSS	1U 1U					
CH08	802 1800U	706 1800U	802 1800U	706 1800U	706 1800U	802 1800U
L402	960 UH			100UH		

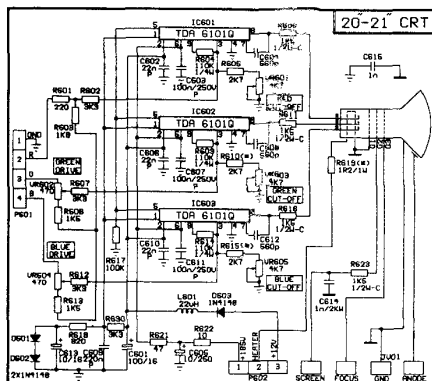
(*) = SEE SIZE TABLE

COMPONENT IDENTIFICATION
 REF. DESIGNATION





VOLTAGES HAVE BEEN MEASURED BETWEEN THE SPECIFIED IC PIN AND THE GND PIN OF THAT IC BY A DIGITAL VOLTMETER WHILE THE MAINS SUPPLY IS 230VAC \pm 10%. WAVEFORMS ARE REFERRED TO A STANDARD PAL COLOR BAR SIGNAL.



P942 PAL B/G - SECAM B/G, L/L'
4R20 0370