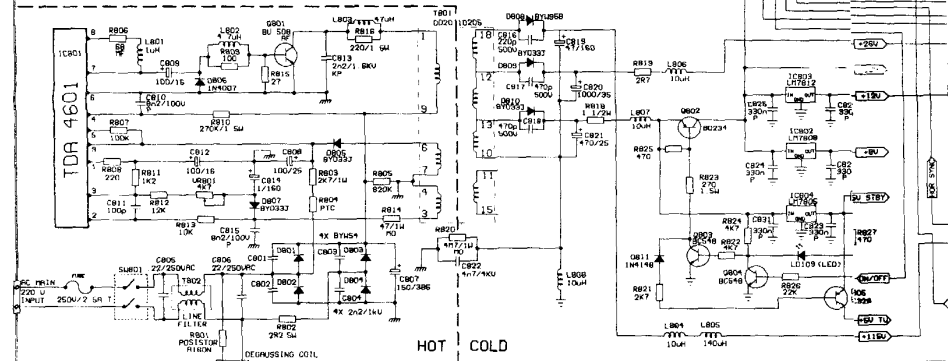
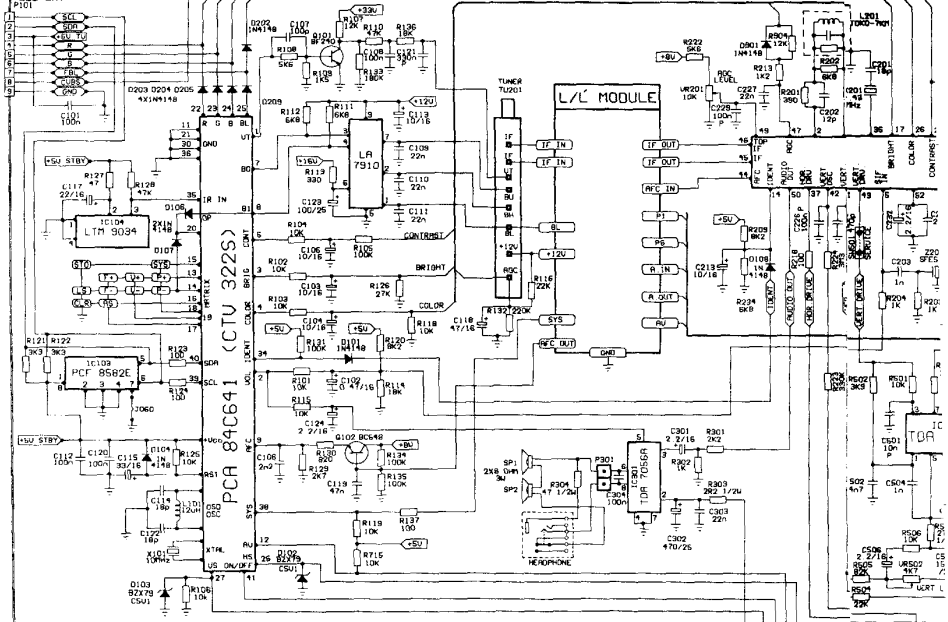


TELETEXT P101



SIZE CHANGES

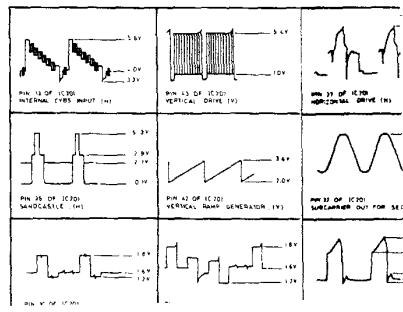
ICP01	ICP03
1	1
2	2
3	3
4	4
5	5
6	6
7	7
8	8
9	9
10	10
11	11
12	12
13	13
14	14
15	15
16	16
17	17
18	18
19	19
20	20
21	21
22	22
23	23
24	24
25	25
26	26
27	27
28	28
29	29
30	30
31	31
32	32
33	33
34	34
35	35
36	36
37	37
38	38
39	39
40	40
41	41
42	42
43	43
44	44
45	45
46	46
47	47
48	48
49	49
50	50
51	51
52	52
53	53
54	54
55	55
56	56
57	57
58	58
59	59
60	60
61	61
62	62
63	63
64	64
65	65
66	66
67	67
68	68
69	69
70	70
71	71
72	72
73	73
74	74
75	75
76	76
77	77
78	78
79	79
80	80
81	81
82	82
83	83
84	84
85	85
86	86
87	87
88	88
89	89
90	90
91	91
92	92
93	93
94	94
95	95
96	96
97	97
98	98
99	99
100	100

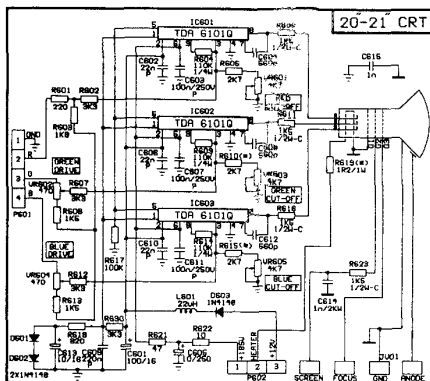
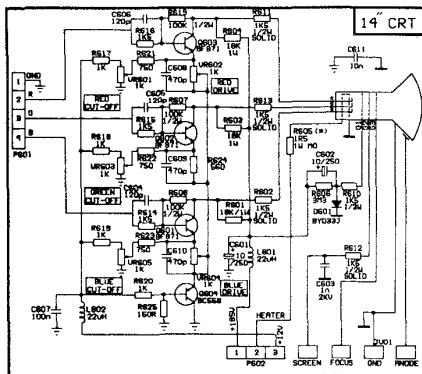
CRT TYPE	PHILIPS PMP6C	PHILIPS PMP6C	PHILIPS PMP6C	PHILIPS PMP6C	PHILIPS PMP6C	PHILIPS PMP6C
R503	270 1/2 M	270 1/2 M	270 1/2 M	270 1/2 M	270 1/2 M	270 1/2 M
R506	750	750	470	470	470	470
R512	1K2	1K2	1K	1K	1K	1K
R506	1M2	1M2	2K7	2K7	1K8	2K7
R510	1K5	1K5	2K7	2K7	1K8	2K7
R515	1K5	1K5	2K7	2K7	1K8	2K7
R519	100K	100K	1M2	1M2	1M2	1M2
R520	50K	50K	27K	27K	27K	27K
R LOSS	1M	1M	1M	1M	1M	1M
C 802	1000	706	1000	706	1000	1000
L402	500 uH	500 uH	100 uH	100 uH	100 uH	100 uH

(*) SEE SIZE TABLE

COMPONENT IDENTIFICATION

REF. TO THE SCHEMATIC





VOLTAGES HAVE BEEN MEASURED BETWEEN THE SPECIFIED IC PIN AND THE GND PIN OF THAT IC BY A DIGITAL VOLTMETER WHILE THE MAINS SUPPLY IS 230VAC ~ 50HZ. WAVEFORMS ARE REFERRED TO A STANDARD PAL COLOR BAR SIGNAL.

P942 PAL B/G - SECAM B/G, L/L'
4R20 0370