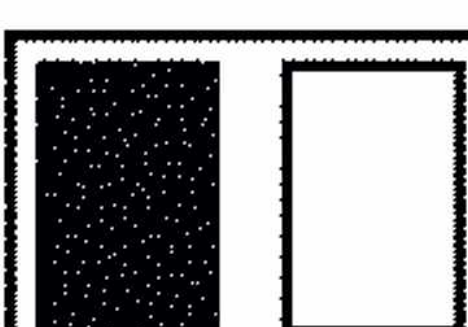


Notes:

1. S1: Code Selector switch in "A" position.
 2. S2: Dialing mode selector in "TONE" position.
 3. S3: Page switch in "OFF" position.
 4. DC voltage measurements are taken with an electronic voltmeter from the negative voltage line.
- STANDBY position

Important Safety Notice

The shaded area on this schematic diagram incorporates special features important for protection from fire and electrical shock hazards. When servicing it is essential that only manufacturer specified parts be used for the critical components in the shaded areas of the schematic.



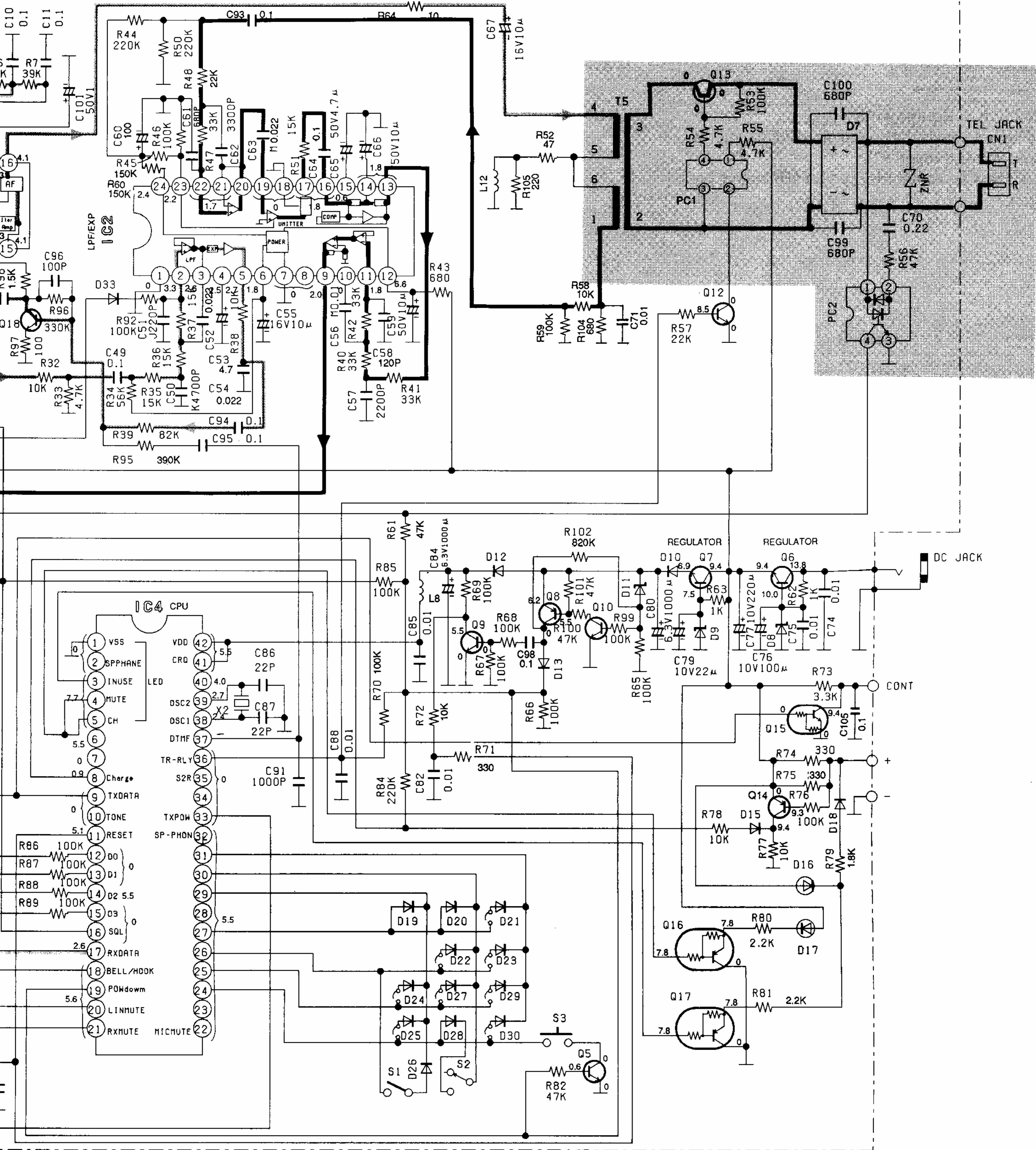


diagram incor-
protection from
manufacturer's
components in

This schematic diagram may be modified at any time with development of new technology.

- ← TX Signal
- ← RX Signal
- ← Data Signal

