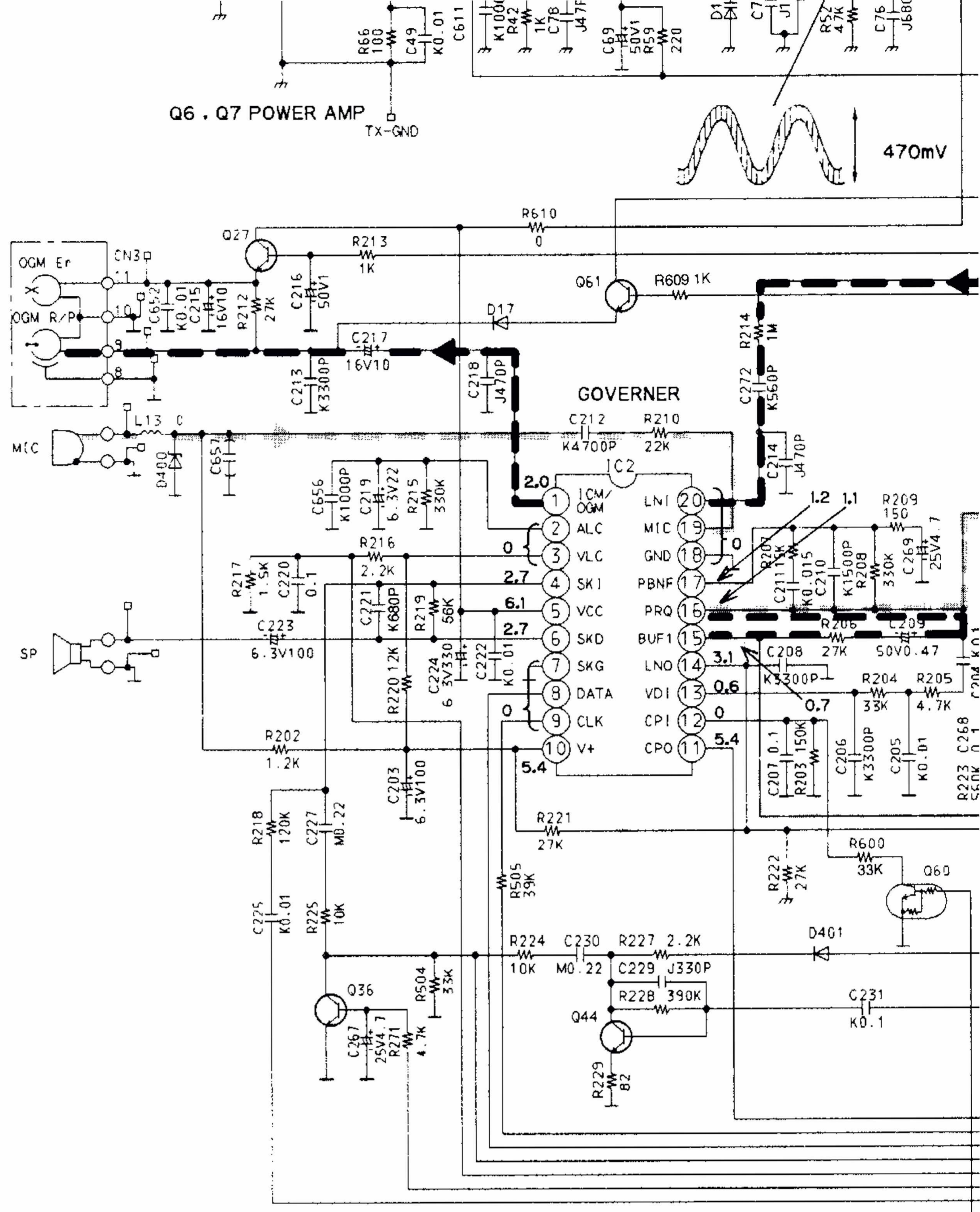


G
H
I
J
K
L
M



Notes:

- | | | |
|----------------------------------|---------------------------------------|-----------------------------|
| 1. SW101: Greeting Record Switch | 6. SW106: Stop Switch | 11. SW111: New Message Sw |
| 2. SW102: Greeting Check Switch | 7. SW107: FF/Skip Switch | 12. SW112: Locator/Intercom |
| 3. SW103: ICM Erase Switch | 8. SW108: Rew/Repeat Switch | 13. SW113: Volume (Down) S |
| 4. SW104: Answer On Switch | 9. SW109: Volume (Up) Selector Switch | 14. S101: Reed Switch |
| 5. SW105: Pager Call Switch | 10. SW110: Memo/Rec Switch | 15. S102: Positon Switch |

