

A

B

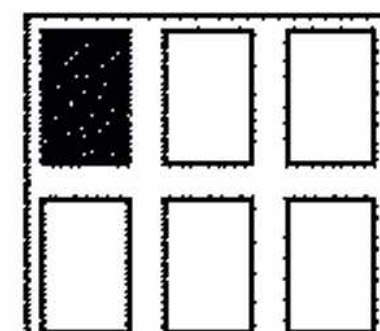
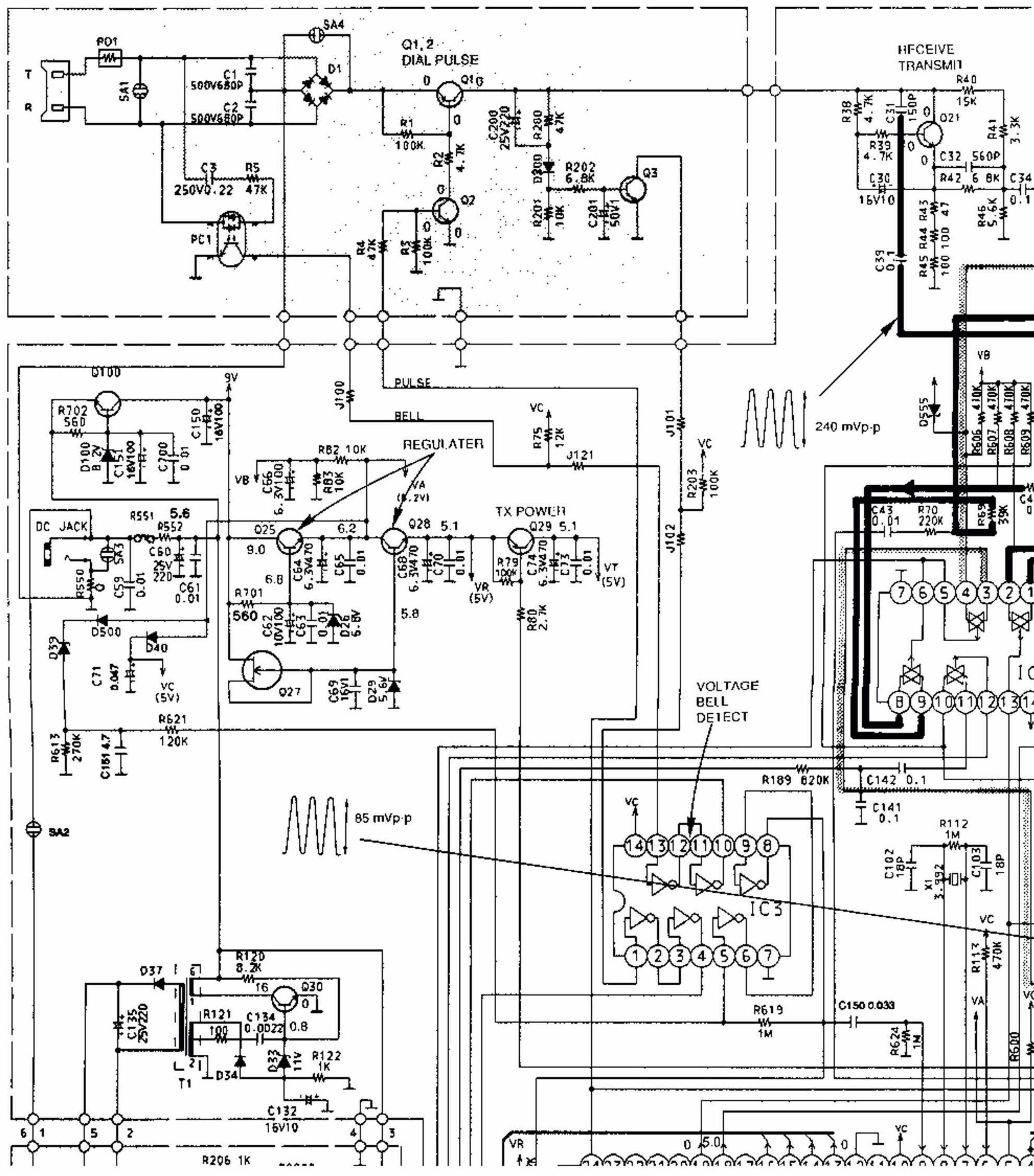
C

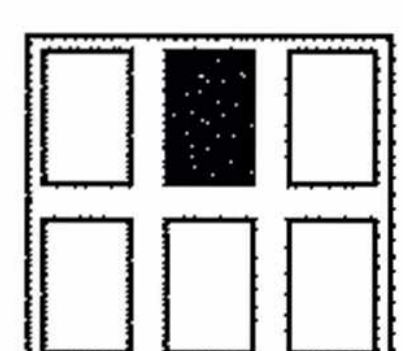
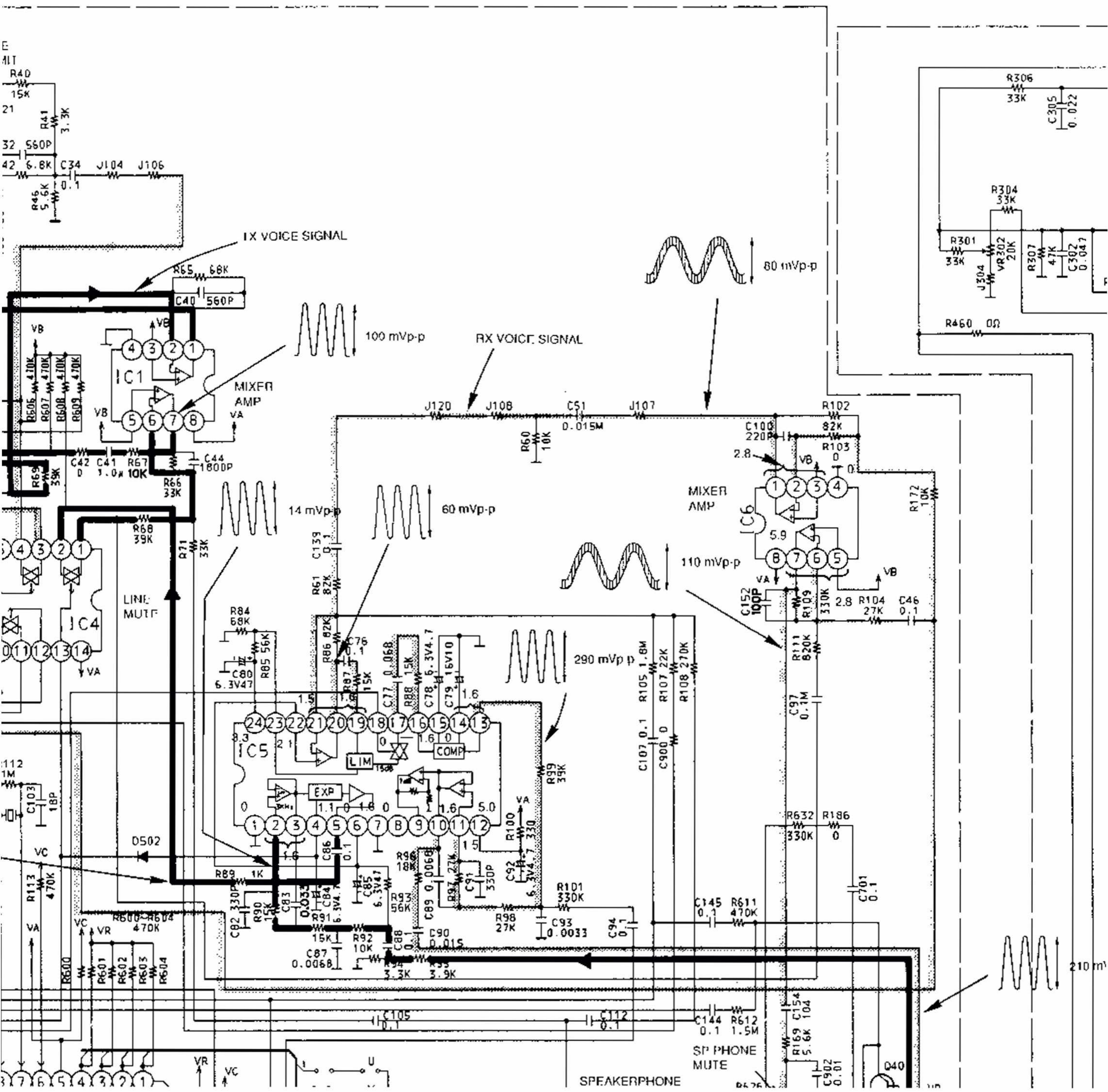
D

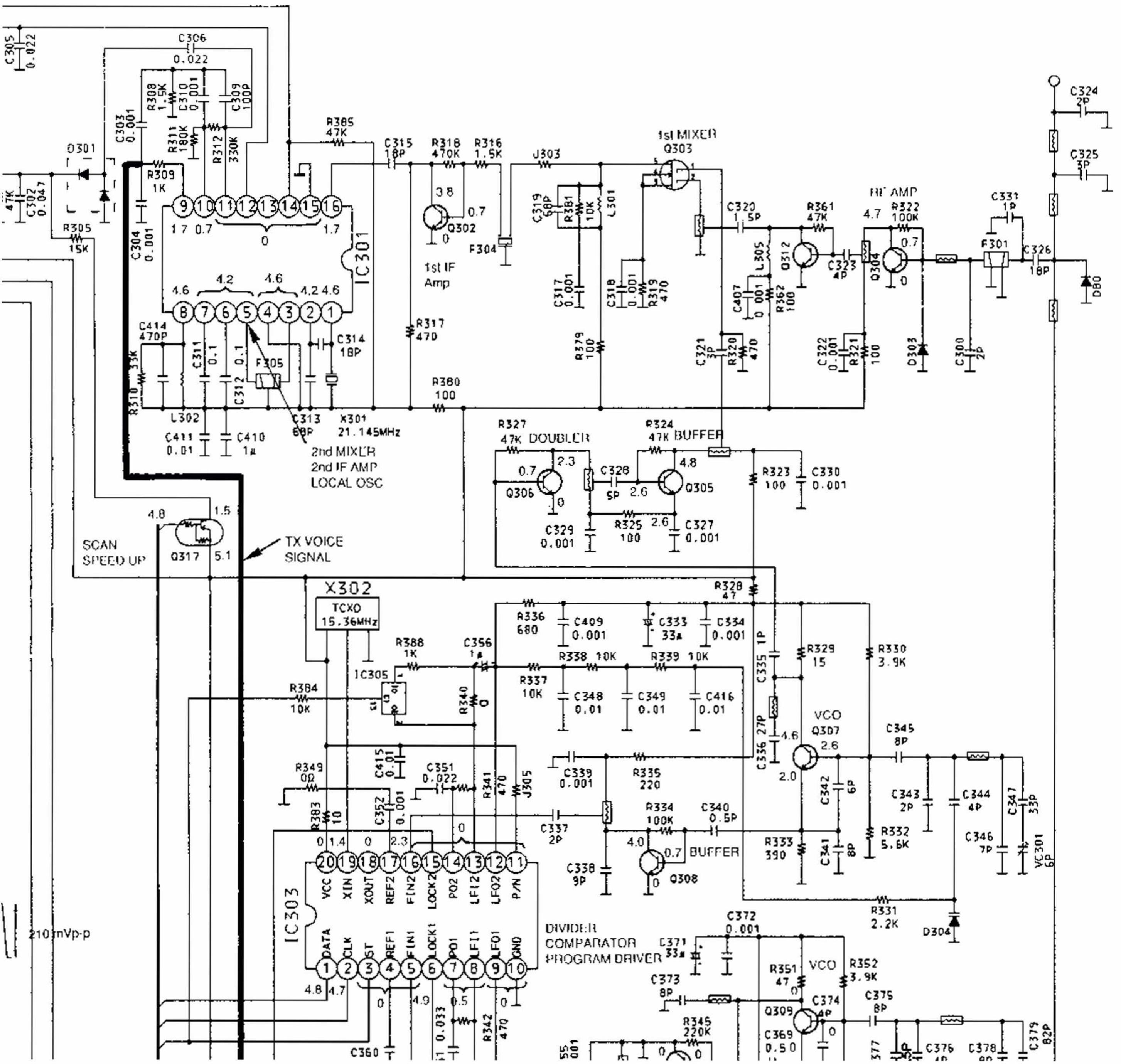
E

F

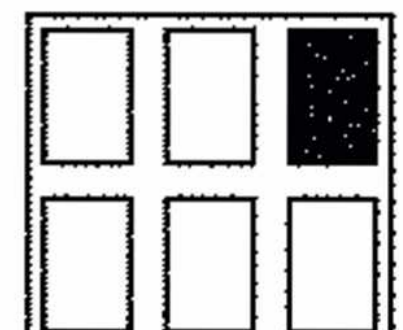
G

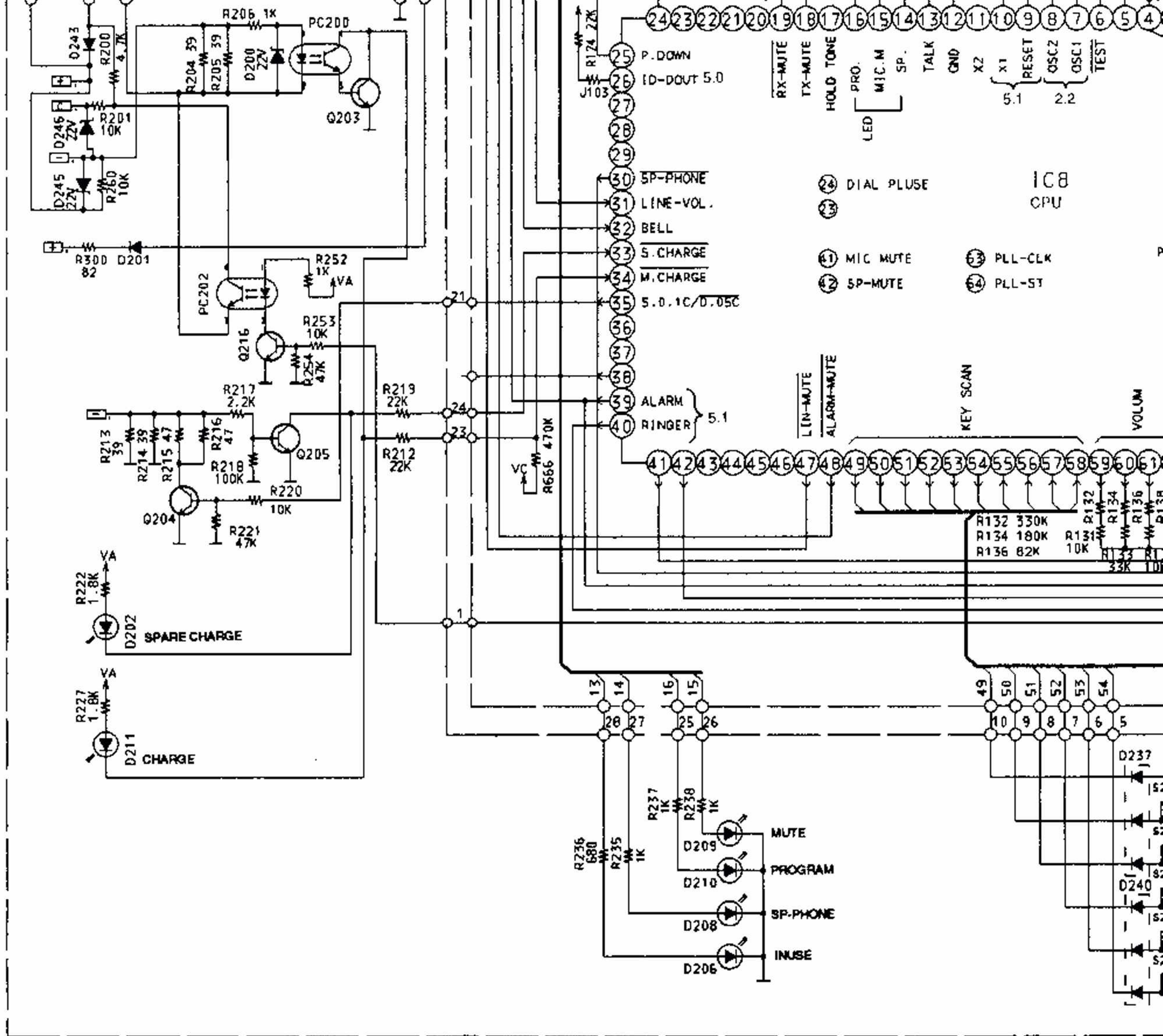






210mVp-p



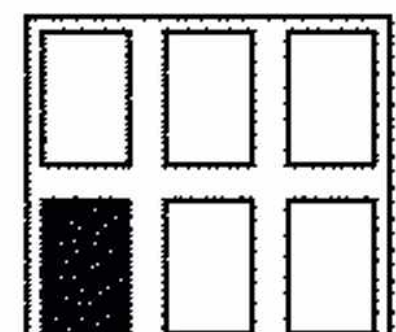


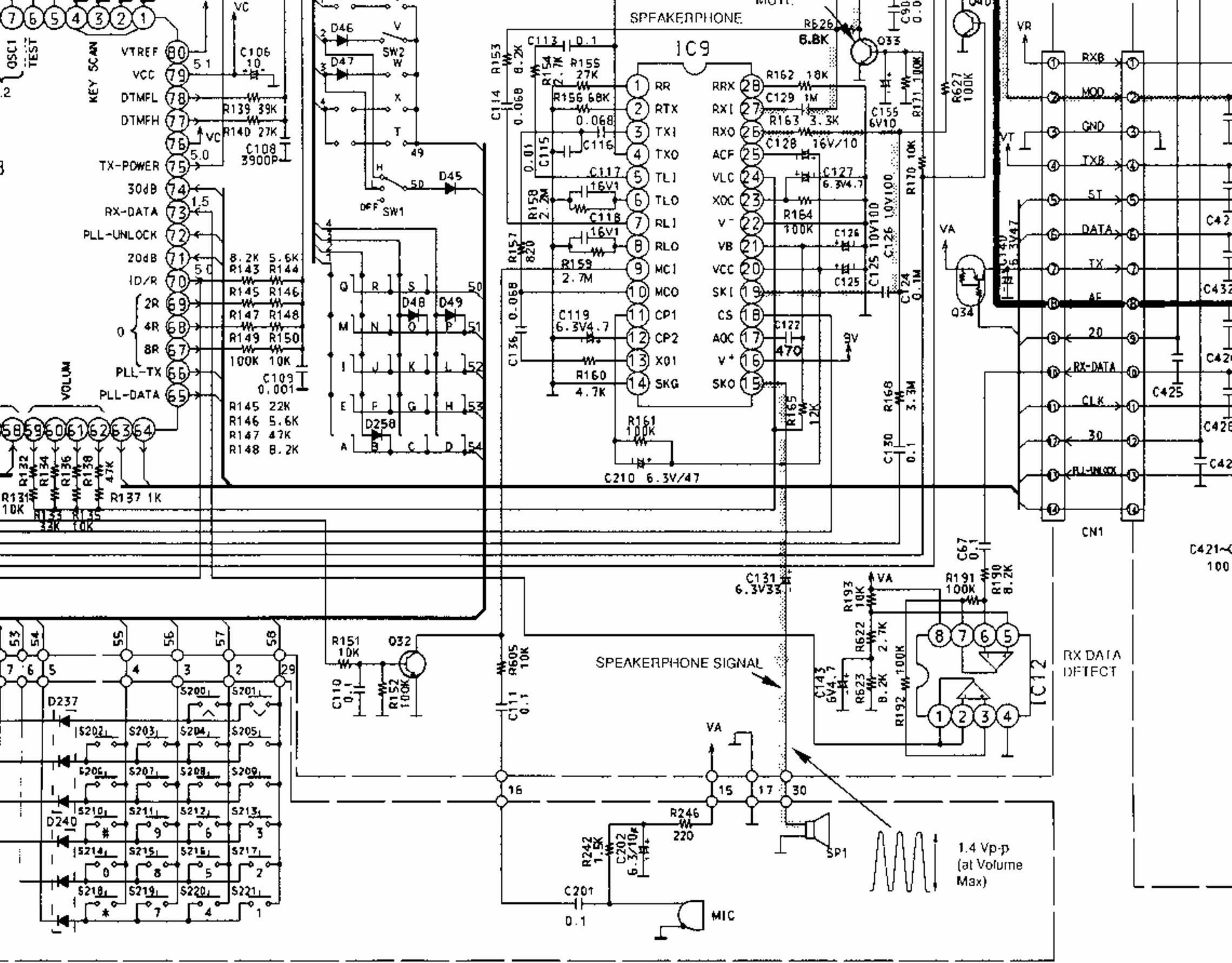
**Notes:**

- 1. SW1: Ringer Selector Switch
- 2. SW2: Dialing Mode Selector Switch
- 3. S200: Volume Switch (High)
- 4. S201: Volume Switch (Low)
- 5. S202: Speakerphone Switch

- 6. S203: Mute Switch
- 7. S204: Program Switch
- 8. S205: Page/Intercom Switch
- 9. S206: Hold Switch
- 10. S207: Flash Switch

- 11. S208: Redial/Pause
- 12. S209: Auto Switch
- 13. S210-S217, S219-S
- 14. S218: Tone Switch

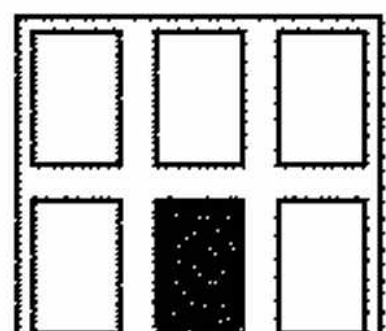


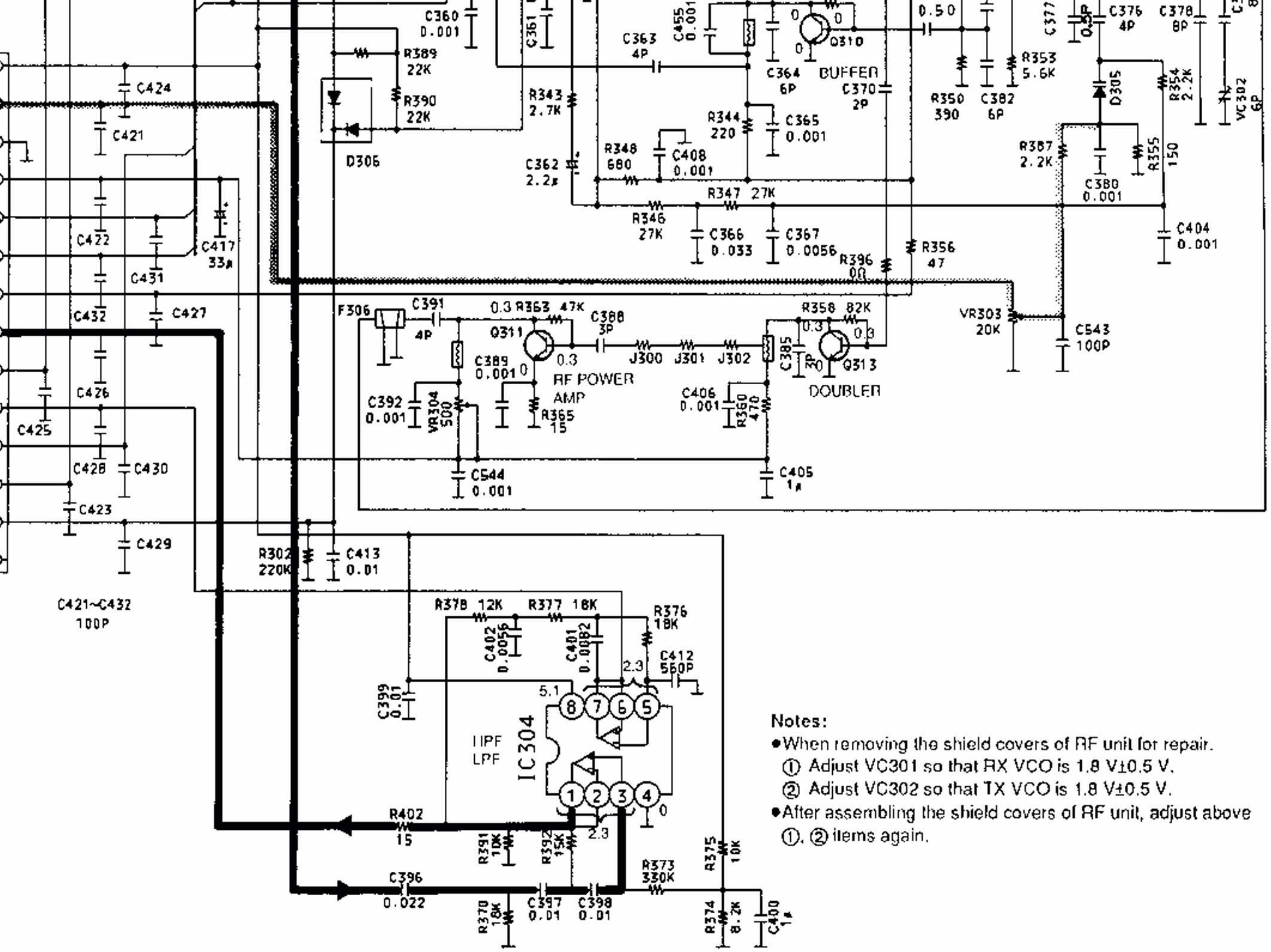


Dial/Pause Switch  
 to Switch  
 7, S219~S221: Dialing Switch  
 ne Switch

15. DC voltage measurements are taken with an electronic voltmeter from the negative voltage line. STANDBY position.

**Important Safety Notice**  
 The shaded area on this schematic diagram contains special features important for protection from electrical shock hazards. When servicing, it is essential that only manufacturer specified parts be used for the critical components in the shaded areas of the schematic.



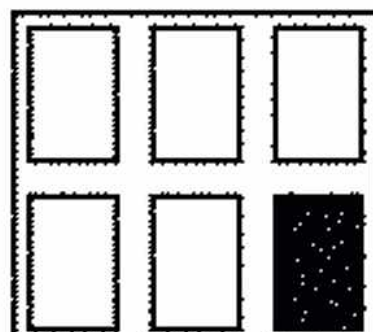


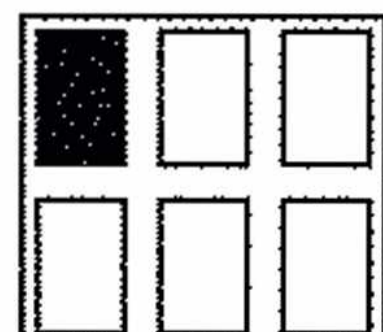
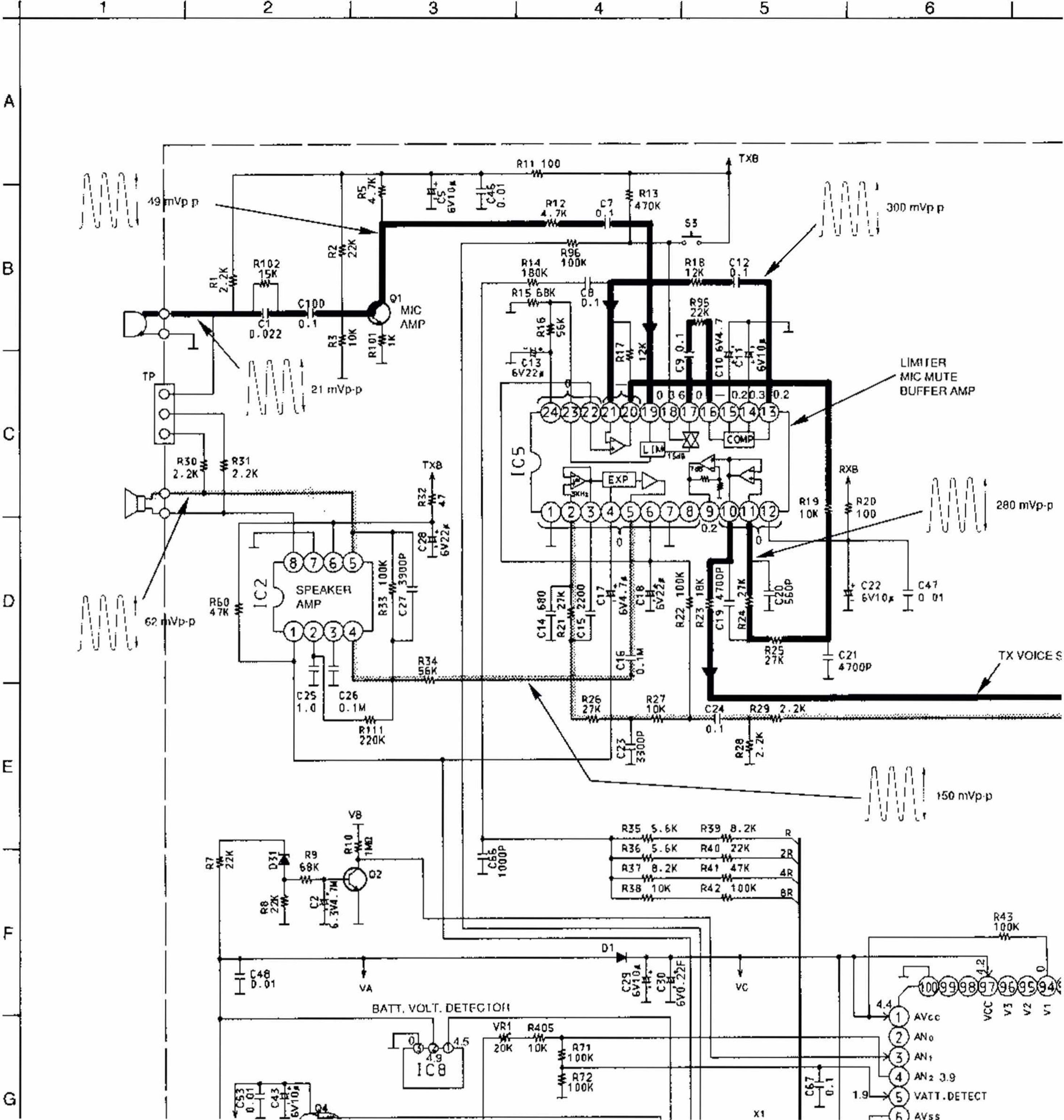
**Notes:**

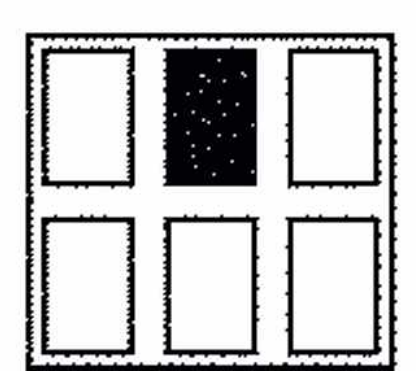
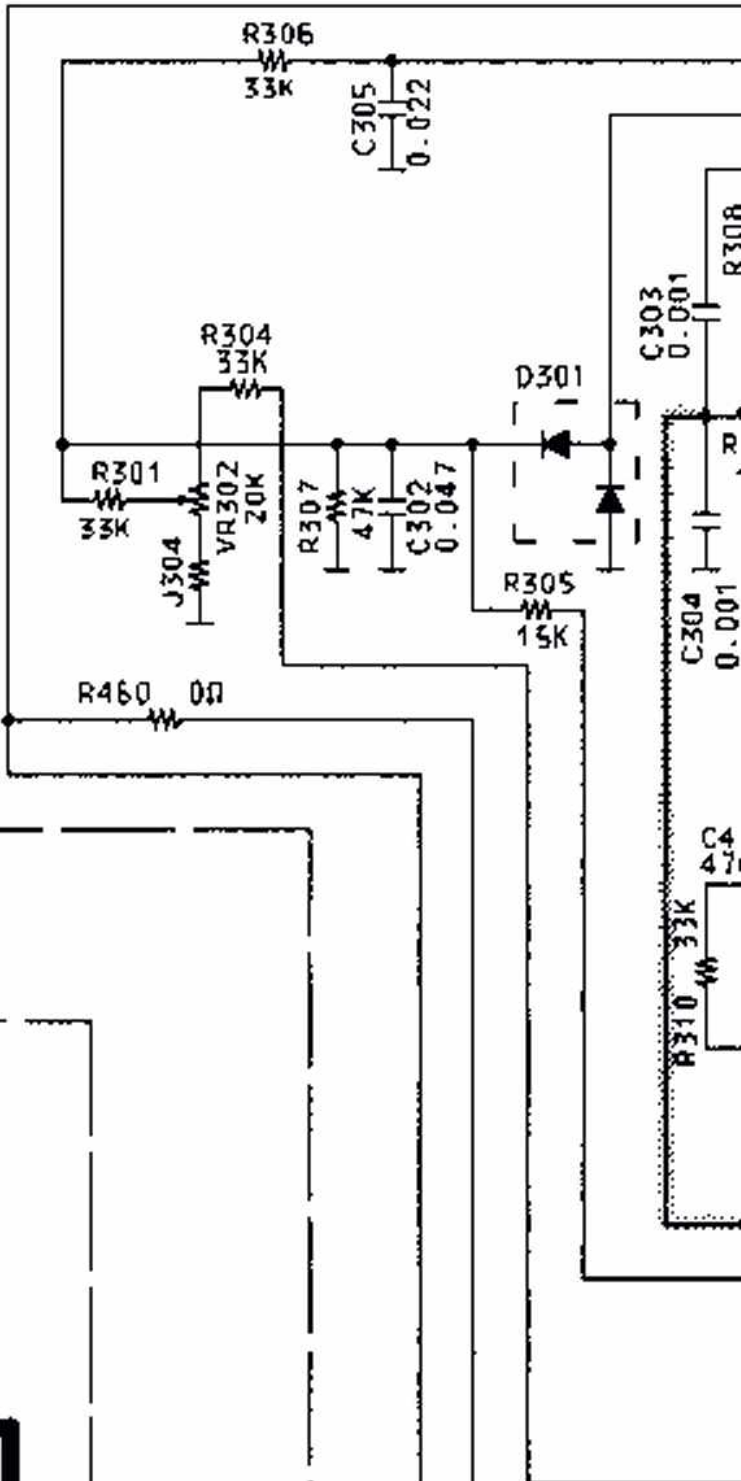
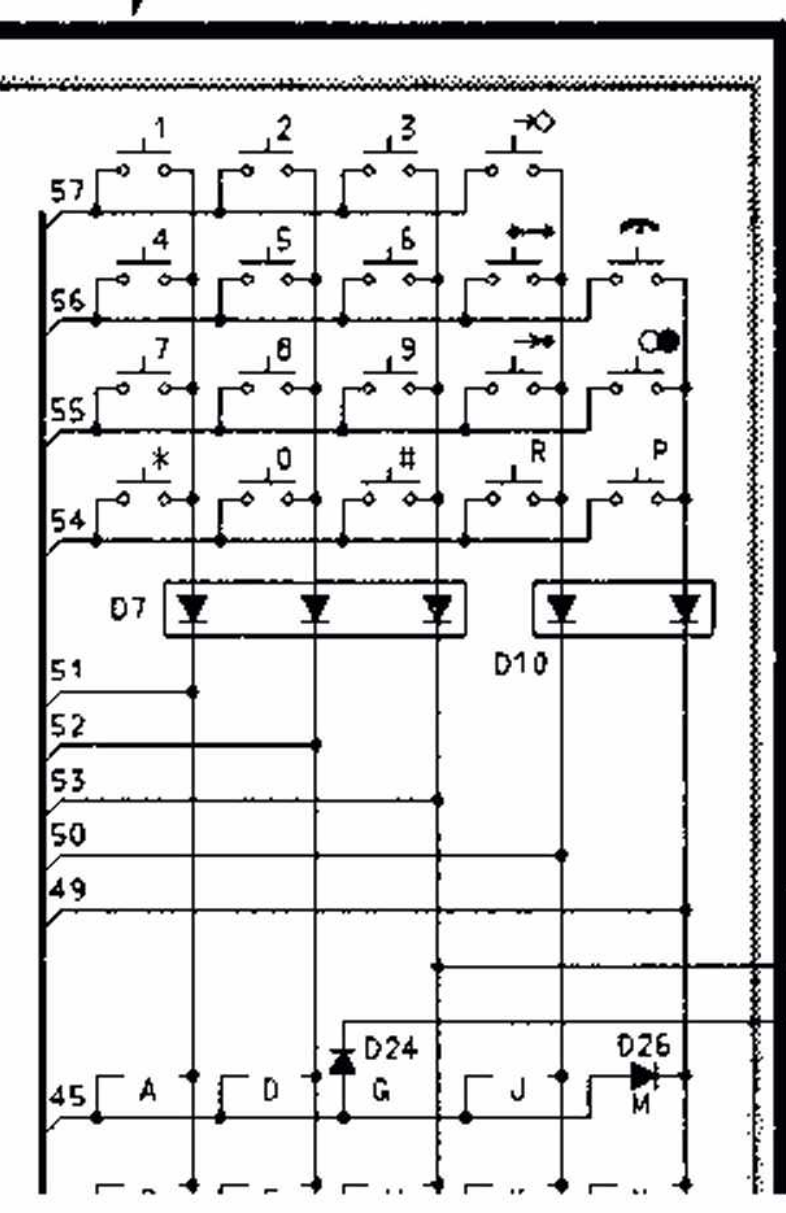
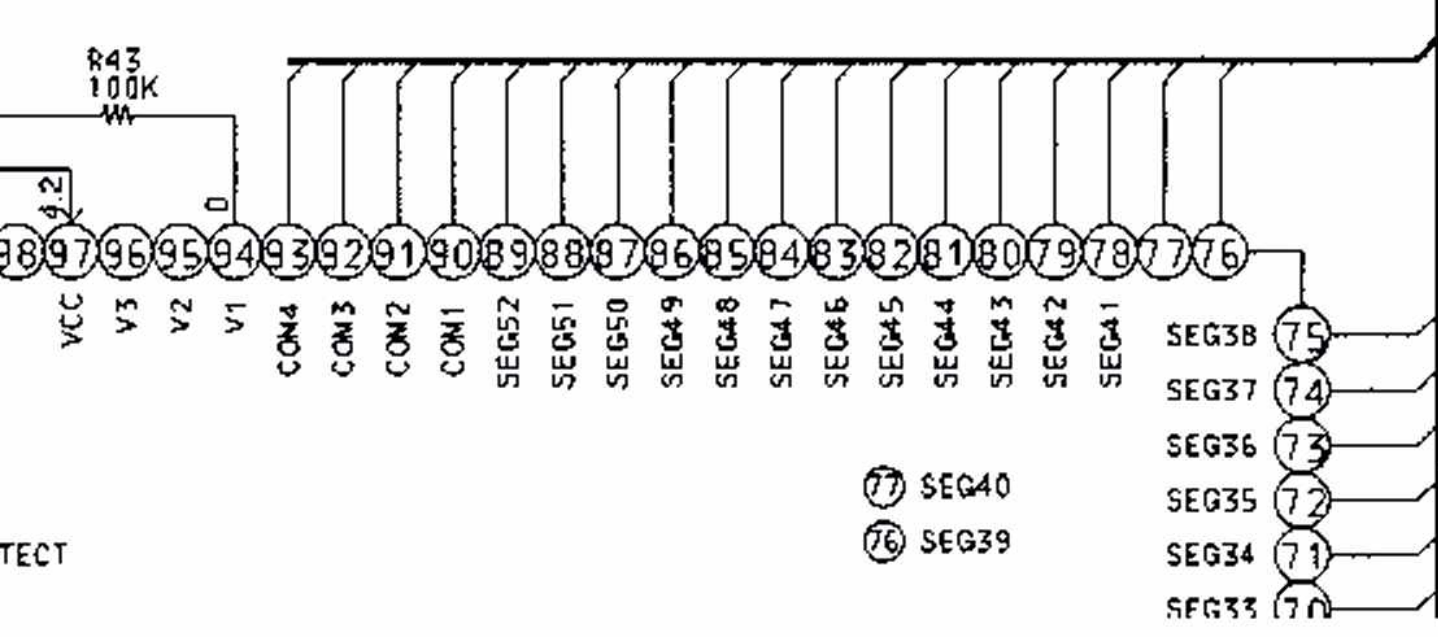
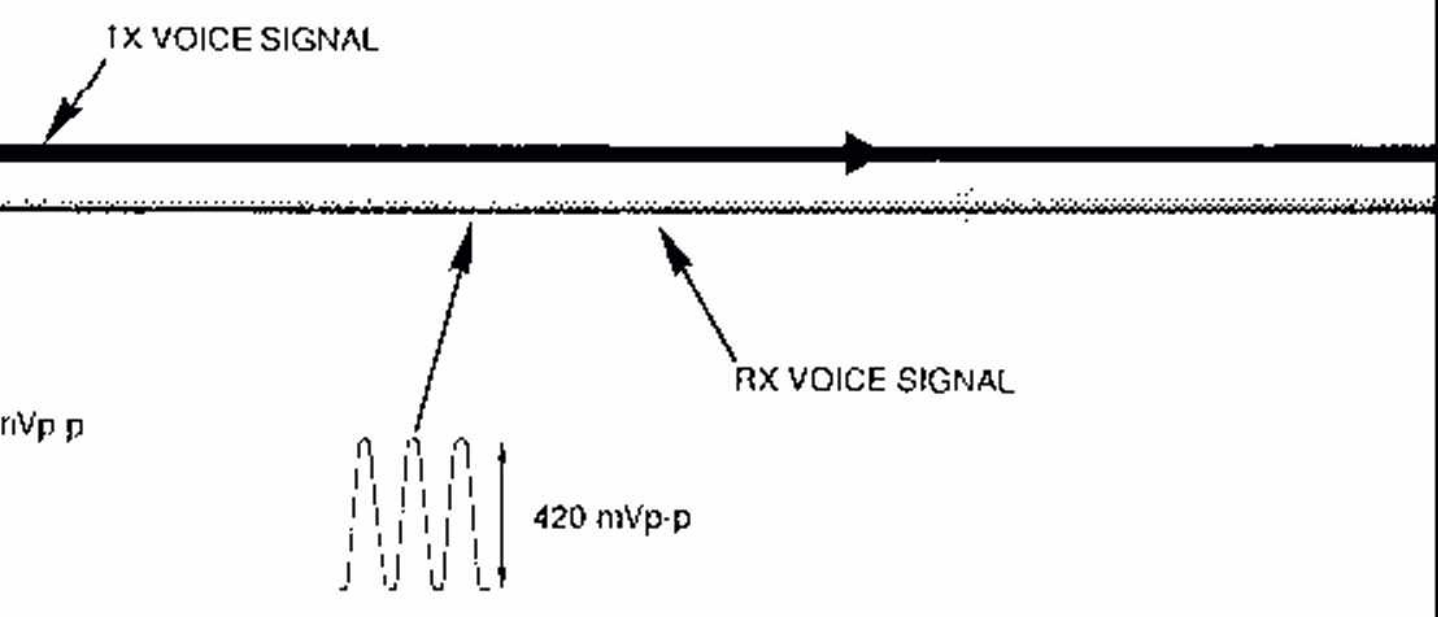
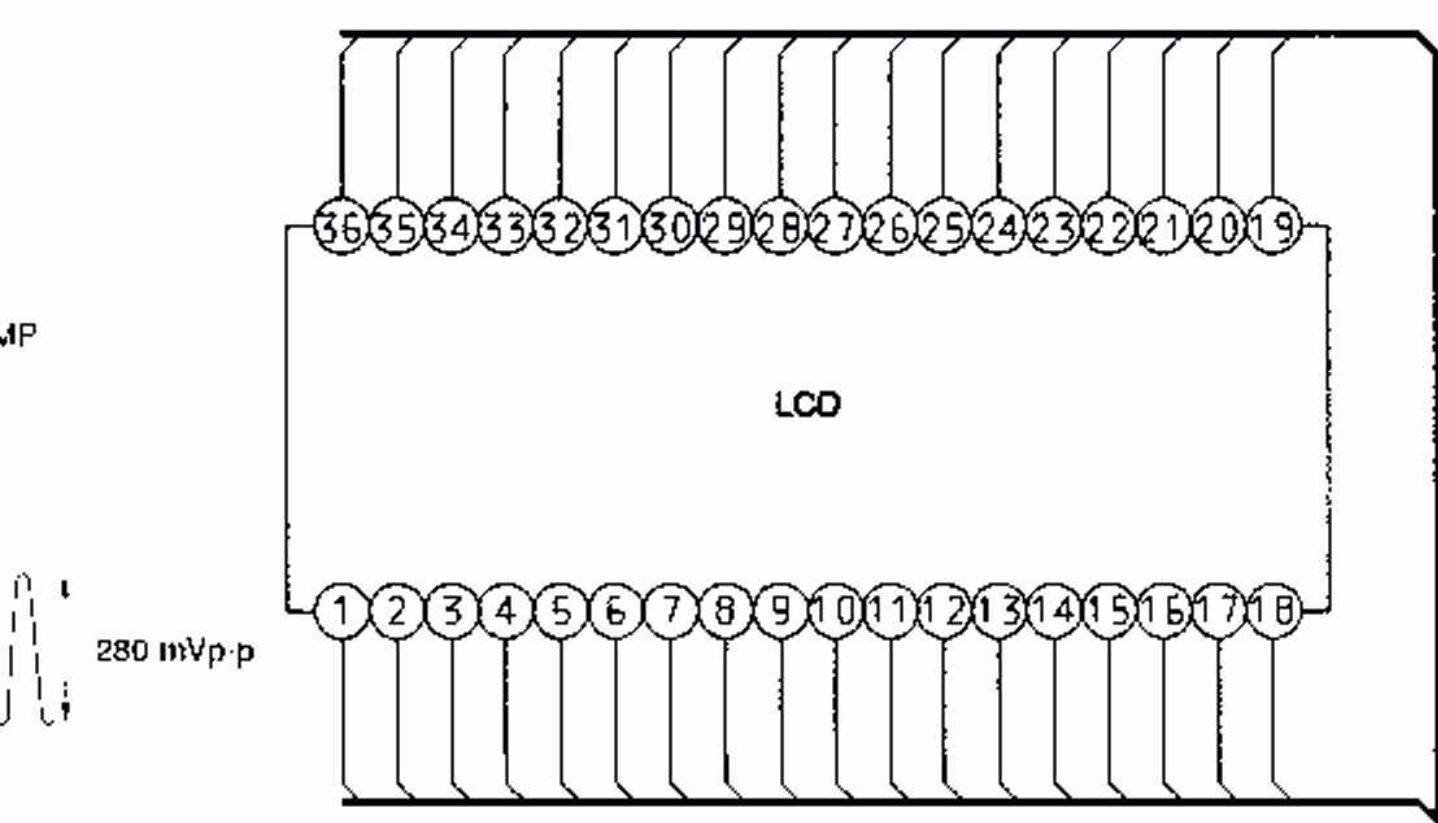
- When removing the shield covers of RF unit for repair.
  - ① Adjust VC301 so that RX VCO is 1.8 V $\pm$ 0.5 V.
  - ② Adjust VC302 so that TX VCO is 1.8 V $\pm$ 0.5 V.
- After assembling the shield covers of RF unit, adjust above ①, ② items again.

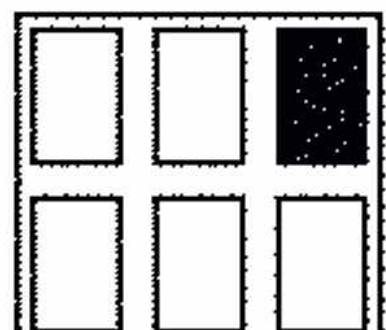
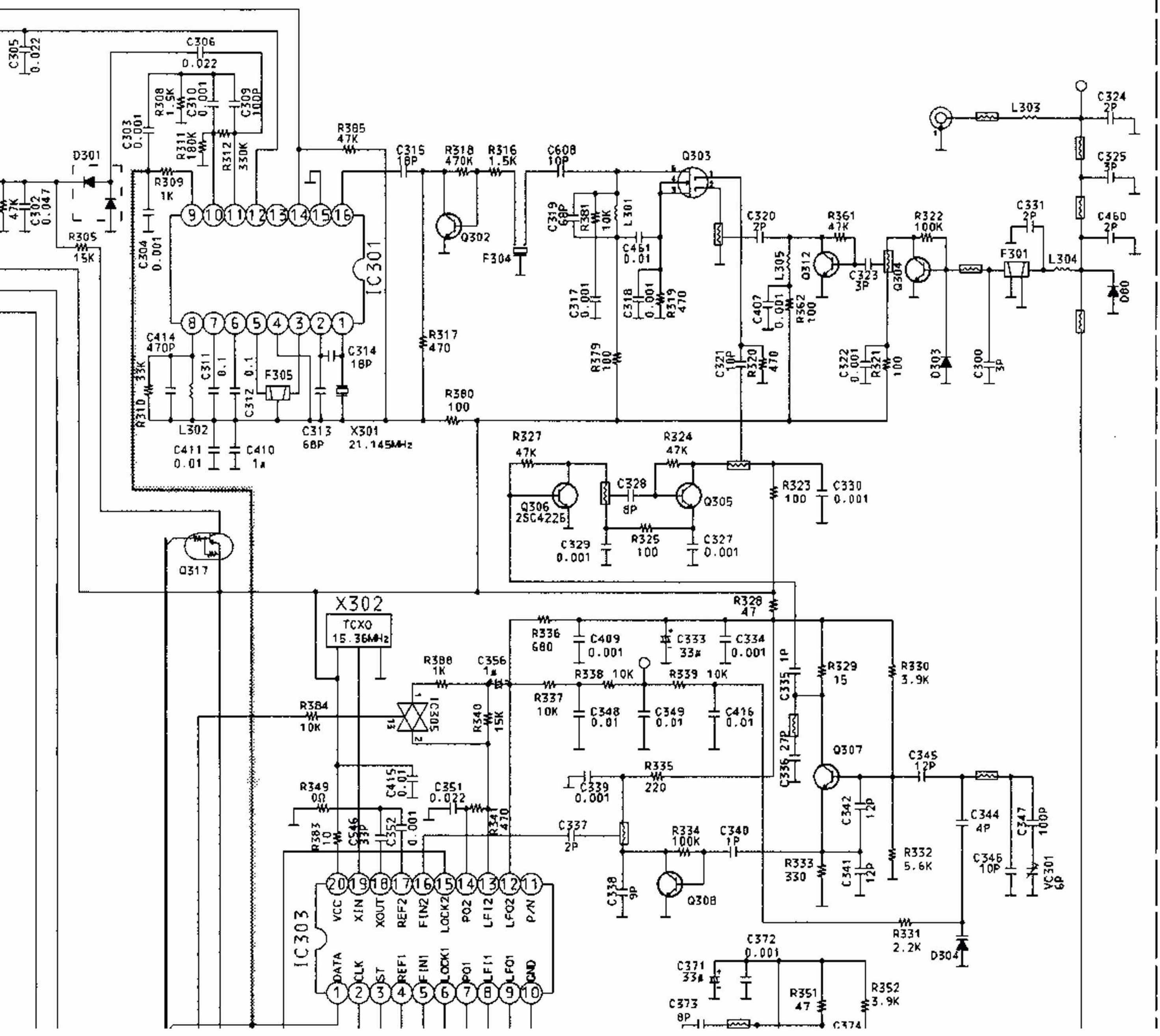
Schematic diagram incorporates protection from fire and at only manufacturer's critical components in the

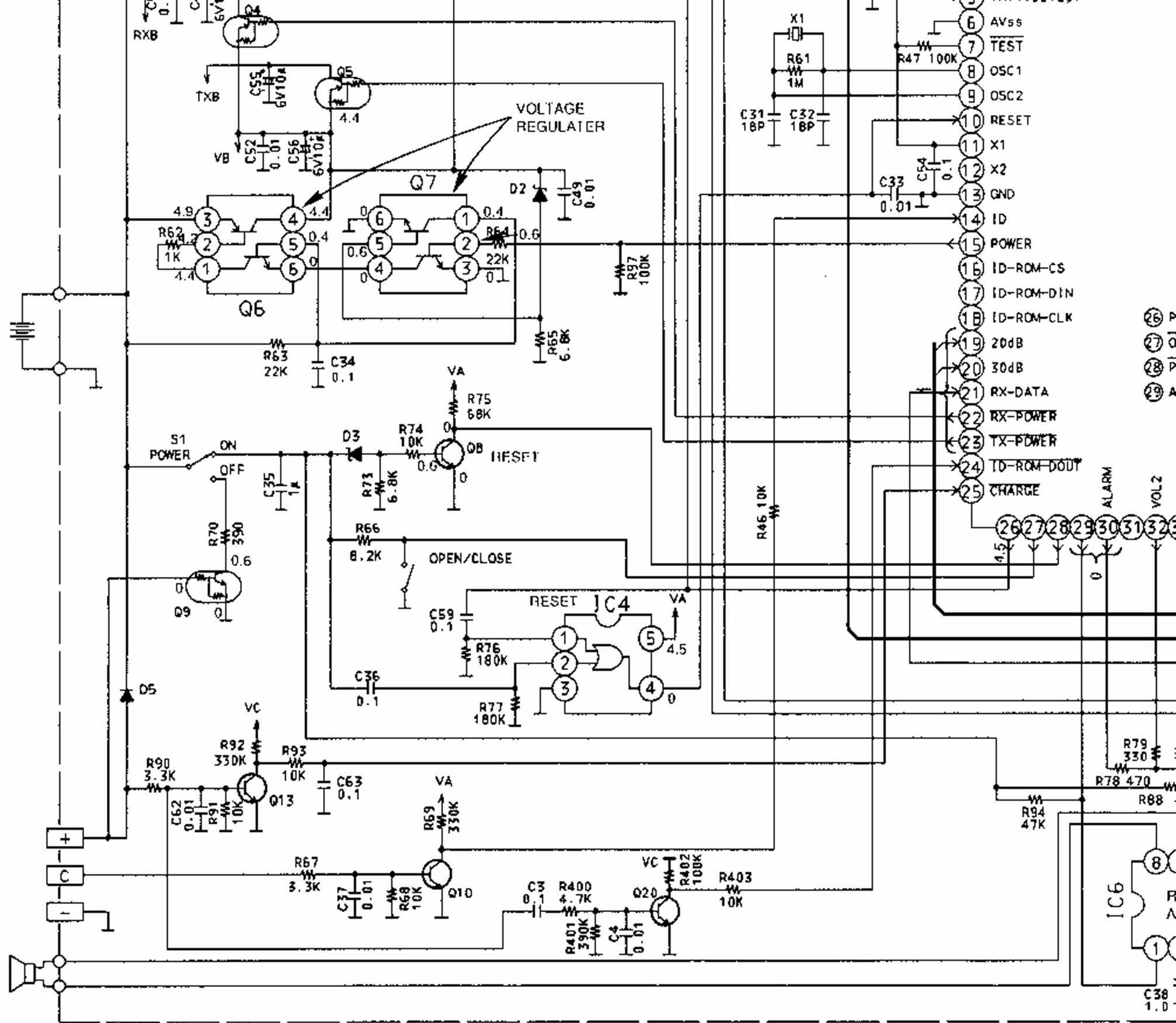
This schematic diagram may be modified at any time with development of new technology.









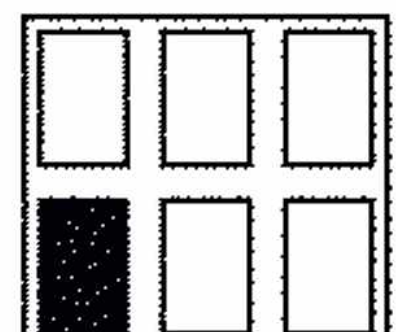


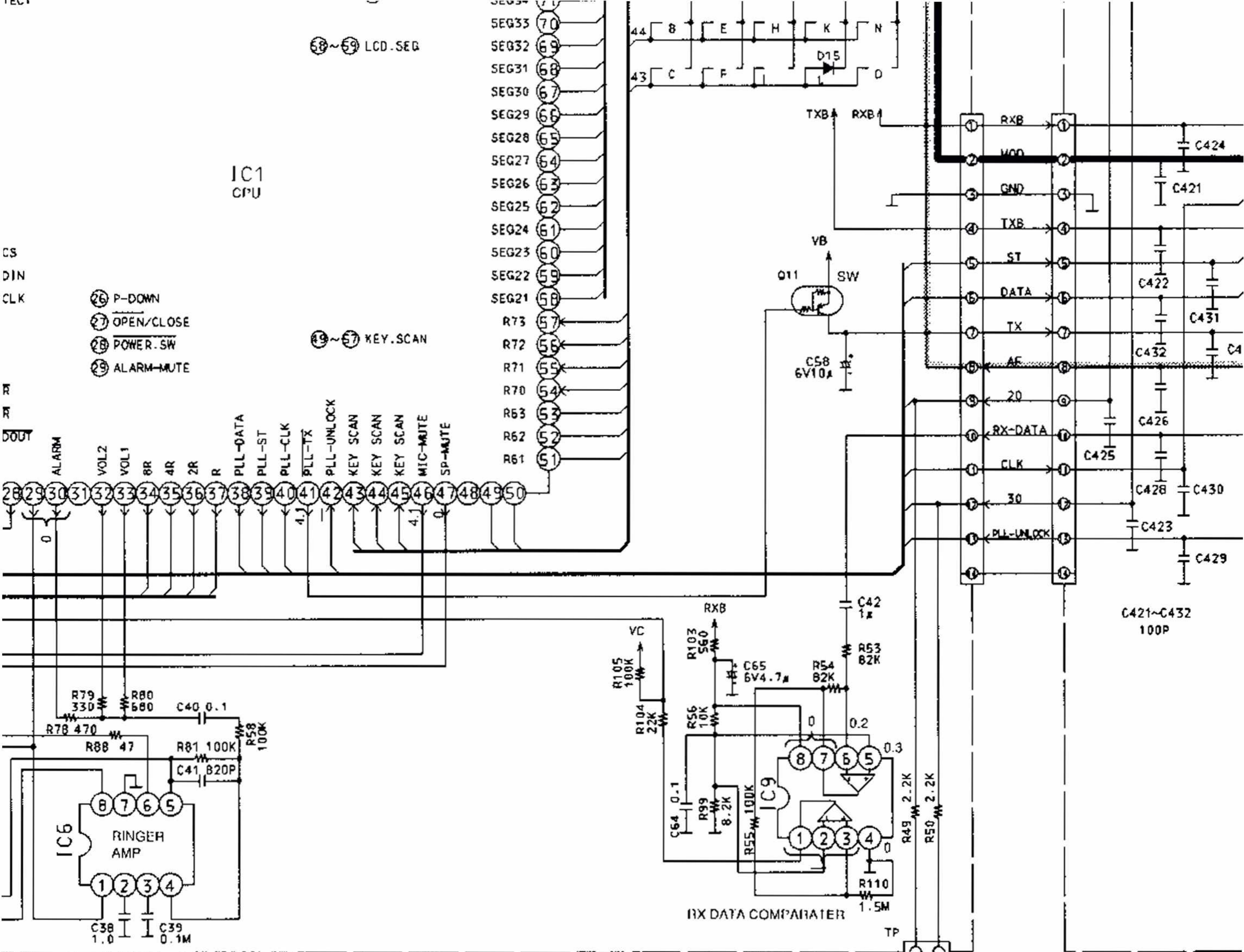
**Notes:**

1. S1: Power Switch
2. S2: Open/Close Detect Switch
3. S3: Mute Switch

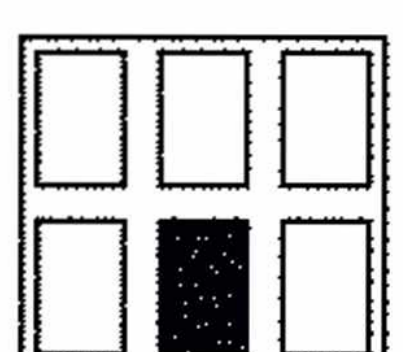
4. DC voltage measurements are taken with electronic voltmeter from negative voltage line. STANDBY position

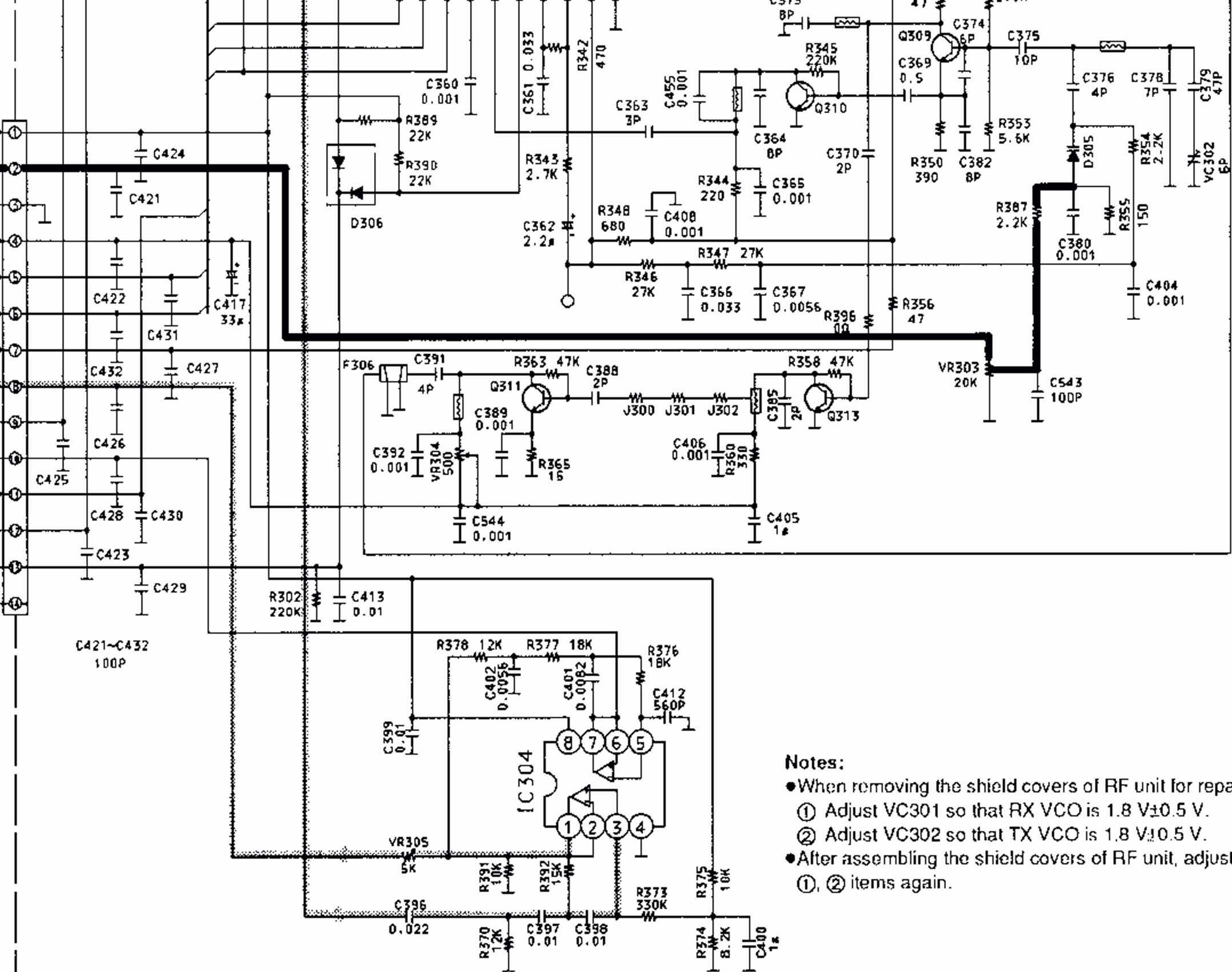
**This schematic is valid at any time with modern technology.**





This schematic diagram may be modified any time with the development of new technology.





**Notes:**

- When removing the shield covers of RF unit for repair.
  - ① Adjust VC301 so that RX VCO is 1.8 V $\pm$ 0.5 V.
  - ② Adjust VC302 so that TX VCO is 1.8 V $\pm$ 0.5 V.
- After assembling the shield covers of RF unit, adjust above ①, ② items again.

