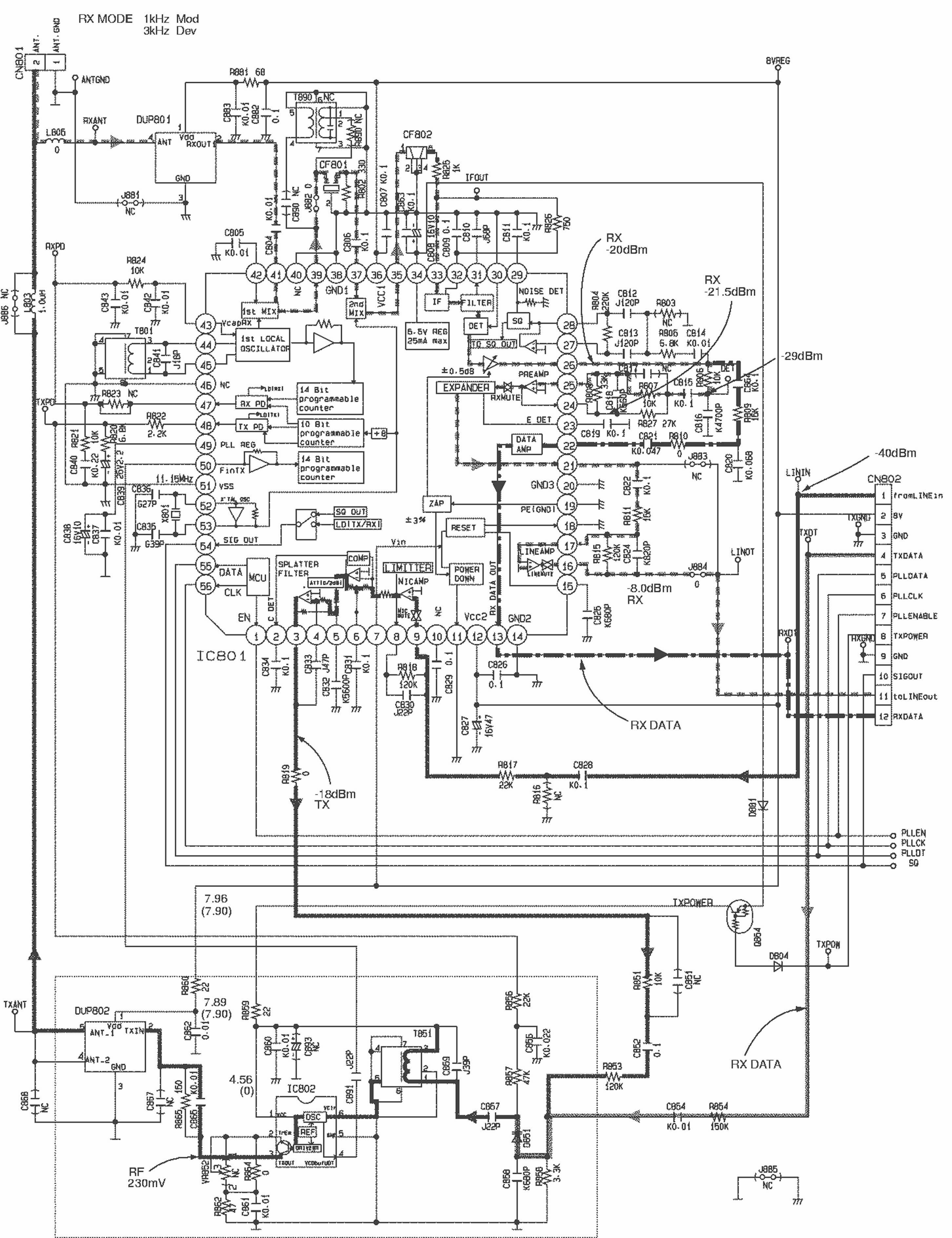
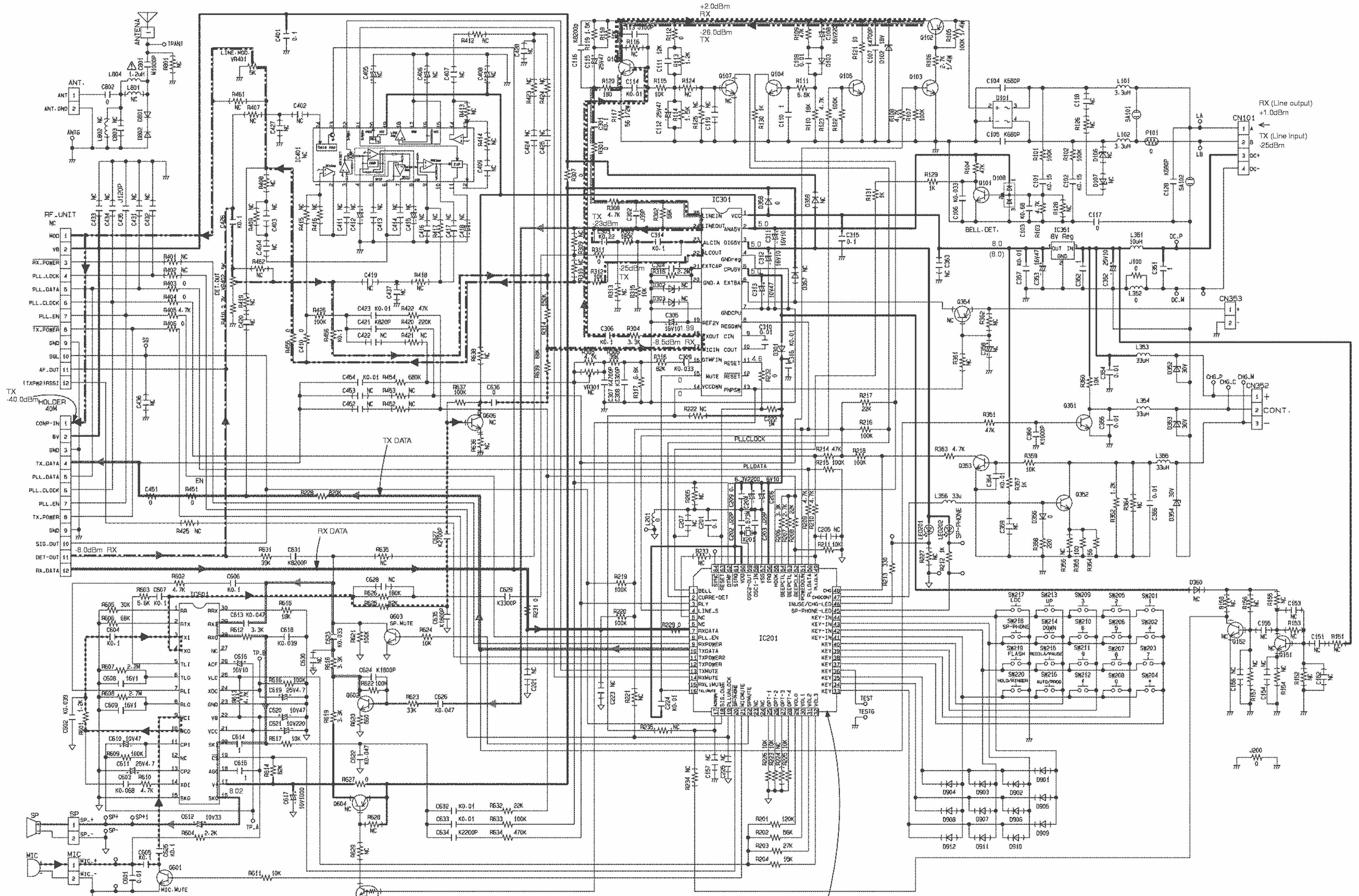


1.6 SCHEMATIC DIAGRAM (RF UNIT)



18 SCHEMATIC DIAGRAM

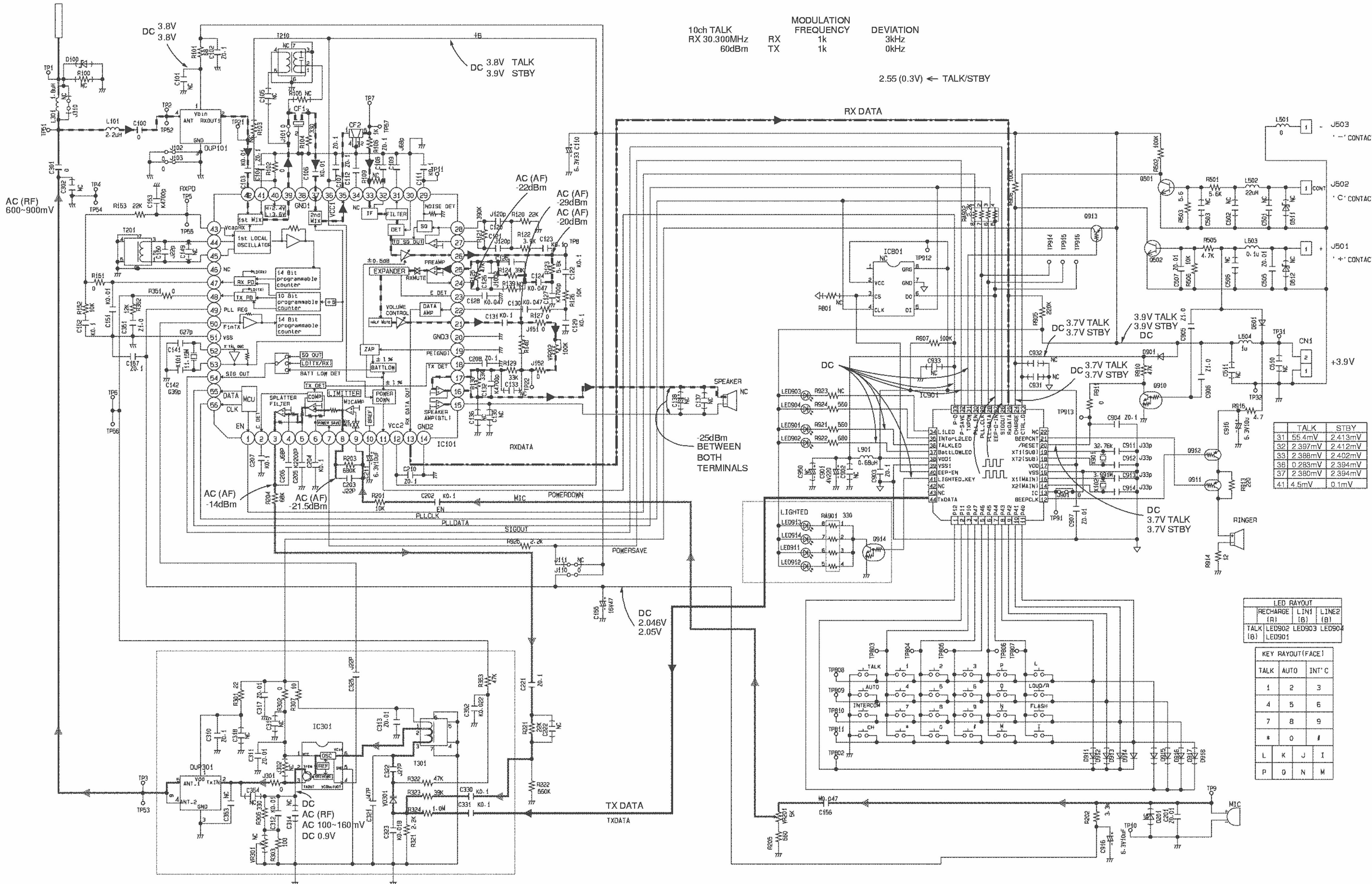
18.1. BASE UNIT



DC VOLTAGE

	TALK	STBY	TALK	STBY	TALK	STBY	TALK	STBY	TALK	STBY	TALK	STBY	
1	4.94	(4.83)	16	0.01	(4.56)	22	4.50	STBY	48	4.65	(4.72)	54	0
3	4.45	(0)	17	0.01	(0)	29-32	0	(0)	51	4.7	(4.78)	55	0
10	0.01	(0)	20	4.79	(4.9)	45	3.75	(3.65)	52	0	(0)	56	4.63
12	0.01	(4.88)	21	4.49	(4.47)	46	0.3	(3.49)	53	0	(0)	57	0

18.2. HANDSET



10ch TALK
RX 30.300MHz
60dBm

MODULATION
FREQUENCY
RX
TX
1k
1k

DEVIATION
3kHz
0kHz

2.55 (0.3V) ← TALK/STBY

	TALK	STBY
31	55.4mV	2.413mV
32	2.397mV	2.412mV
33	2.388mV	2.402mV
36	0.283mV	2.394mV
37	2.380mV	2.394mV
41	4.5mV	0.1mV

LED LAYOUT			
RECHARGE (R)	LINE1 (B)	LINE2 (B)	
TALK LED902	LED903	LED904	
	LED901		

KEY LAYOUT (FACE)			
TALK	AUTO	INT' C	
1	2	3	
4	5	6	
7	8	9	
*	0	#	
L	K	J	I
P	Q	N	M